

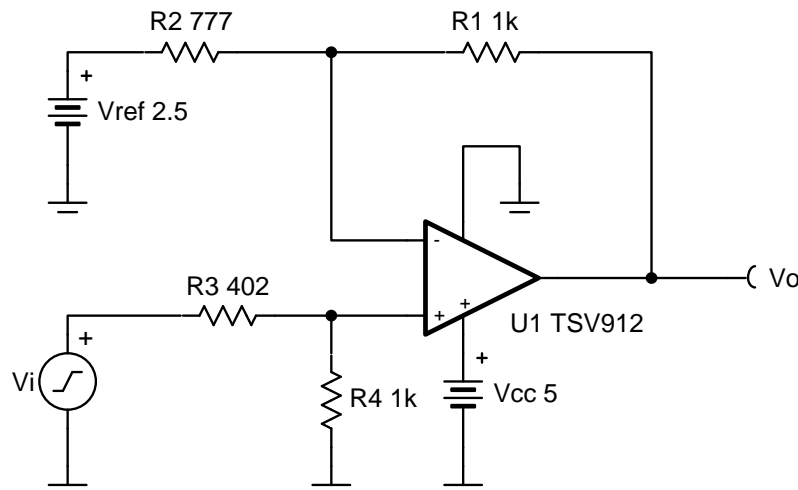
Non-inverting op amp with inverting positive reference voltage circuit

Design Goals

Input		Output		Supply		
V_{iMin}	V_{iMax}	V_{oMin}	V_{oMax}	V_{cc}	V_{ee}	V_{ref}
2V	5V	0.05V	4.95V	5V	0V	2.5V

Design Description

This design uses a non-inverting amplifier with an inverting positive reference to translate an input signal of 2V to 5V to an output voltage of 0.05V to 4.95V. This circuit can be used to translate a sensor output voltage with a positive slope and offset to a usable ADC input voltage range.



Design Notes

1. Use op amp linear output operating range. Usually specified under A_{OL} test conditions.
2. Check op amp input common mode voltage range. The common mode voltage varies with the input voltage.
3. V_{ref} must be low impedance.
4. Input impedance of the circuit is equal to the sum of R_3 and R_4 .
5. Choose low-value resistors to use in the feedback. It is recommended to use resistor values less than 100k Ω . Using high-value resistors can degrade the phase margin of the amplifier and introduce additional noise in the circuit.
6. The cutoff frequency of the circuit is dependent on the gain bandwidth product (GBP) of the amplifier.
7. Adding a capacitor in parallel with R_1 will improve stability of the circuit if high-value resistors are used.

Design Steps

$$V_o = V_i \times \left(\frac{R_4}{R_3 + R_4} \right) \left(\frac{R_1 + R_2}{R_2} \right) - V_{ref} \times \left(\frac{R_1}{R_2} \right)$$

1. Calculate the gain of the input to produce the largest output swing.

$$V_{o,max} - V_{o,min} = (V_{i,max} - V_{i,min}) \left(\frac{R_4}{R_3 + R_4} \right) \left(\frac{R_1 + R_2}{R_2} \right)$$

$$\frac{V_{o,max} - V_{o,min}}{V_{i,max} - V_{i,min}} = \frac{R_4}{R_3 + R_4} \frac{R_1 + R_2}{R_2}$$

$$\frac{4.95V - 0.05V}{5V - 2V} = \frac{R_4}{R_3 + R_4} \frac{R_1 + R_2}{R_2}$$

$$1.633 \frac{V}{V} = \frac{R_4}{R_3 + R_4} \frac{R_1 + R_2}{R_2}$$

2. Select a value for R_1 and R_4 and insert the values into the previous equation. The other two resistor values must be solved using a system of equations. The proper output swing and offset voltage cannot be calculated if more than two variables are selected.

$$R_1 = R_4 = 1 \text{ k}\Omega$$

$$1.633 \frac{V}{V} = \frac{1 \text{ k}\Omega}{R_3 + 1 \text{ k}\Omega} \frac{1 \text{ k}\Omega + R_2}{R_2}$$

3. Solve the previous equation for R_3 in terms of R_2 .

$$R_3 = \frac{1 \text{ M}\Omega + (1 \text{ k}\Omega \times R_2)}{1.633 \times R_2} - 1 \text{ k}\Omega$$

4. Select any point along the transfer function within the linear output range of the amplifier to set the proper offset voltage at the output (for example, the minimum input and output voltage).

$$V_{o,min} = V_{i,min} \times \left(\frac{R_4}{R_3 + R_4} \right) \left(\frac{R_1 + R_2}{R_2} \right) - V_{ref} \times \left(\frac{R_1}{R_2} \right)$$

$$0.05V = 2V \times \frac{1 \text{ k}\Omega}{R_3 + 1 \text{ k}\Omega} \frac{1 \text{ k}\Omega + R_2}{R_2} - V_{ref} \times \frac{1 \text{ k}\Omega}{R_2}$$

5. Insert R_3 from step 3 into the equation from step 4 and solve for R_2 .

$$0.05V = 2V \times \left(\frac{1 \text{ k}\Omega}{\frac{1 \text{ M}\Omega + 1 \text{ k}\Omega \times R_2}{1.633 \times R_2} - 1 \text{ k}\Omega + 1 \text{ k}\Omega} \right) \left(\frac{1 \text{ k}\Omega + R_2}{R_2} \right) - V_{ref} \times \left(\frac{1 \text{ k}\Omega}{R_2} \right)$$

$$R_2 = 777.2\Omega \approx 777\Omega$$

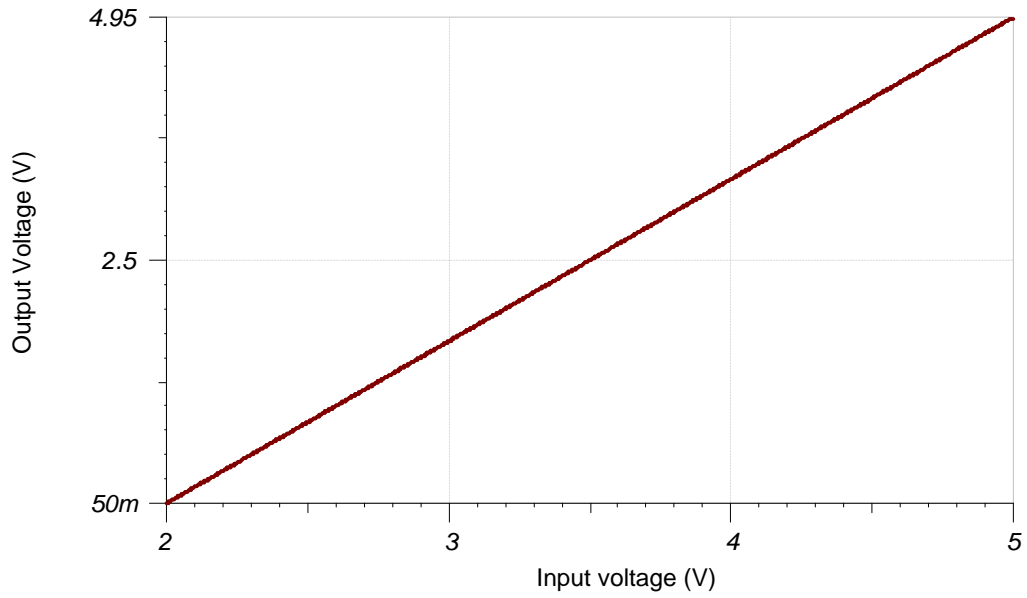
6. Insert R_2 calculation from step 5, and solve for R_3 .

$$R_3 = \frac{1 \text{ M}\Omega + (1 \text{ k}\Omega \times R_2)}{1.633 \times R_2} - 1 \text{ k}\Omega$$

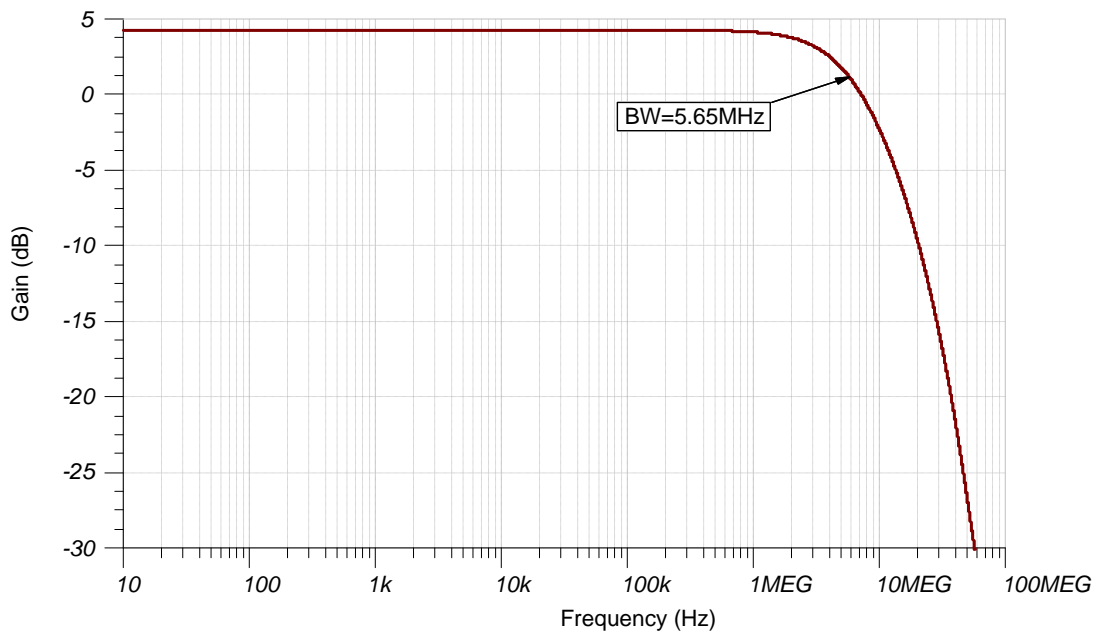
$$R_3 = \frac{1 \text{ M}\Omega + 1 \text{ k}\Omega \times 777\Omega}{1.633 \times 777\Omega} - 1 \text{ k}\Omega = 400.49\Omega \approx 402\Omega$$

Design Simulations

DC Simulation Results



AC Simulation Results



Design References

See [Analog Engineer's Circuit Cookbooks](#) for TI's comprehensive circuit library.

See circuit SPICE simulation file [SBOC512](#).

See [TI Precision Lab Videos on Input and Output Limitations](#).

Design Featured Op Amp

TSV912	
V_{SS}	2.5V to 5.5V
V_{inCM}	Rail-to-rail
V_{out}	Rail-to-rail
V_{os}	0.3mV
I_q	550 μ A
I_b	1pA
UGBW	8MHz
SR	4.5V/ μ s
#Channels	1, 2, 4
www.ti.com/product/tsv912	

Design Alternate Op Amp

OPA191	
V_{SS}	4.5V to 36V
V_{inCM}	Rail-to-rail
V_{out}	Rail-to-rail
V_{os}	5 μ V
I_q	140 μ A/Ch
I_b	5pA
UGBW	2.5MHz
SR	5.5V/ μ s
#Channels	1, 2, 4
www.ti.com/product/opa191	

Revision History

Revision	Date	Change
A	February 2019	Downscale the title and changed title role to 'Amplifiers'. Added links to circuit cookbook landing page and SPICE simulation file.

IMPORTANT NOTICE AND DISCLAIMER

TI PROVIDES TECHNICAL AND RELIABILITY DATA (INCLUDING DATASHEETS), DESIGN RESOURCES (INCLUDING REFERENCE DESIGNS), APPLICATION OR OTHER DESIGN ADVICE, WEB TOOLS, SAFETY INFORMATION, AND OTHER RESOURCES "AS IS" AND WITH ALL FAULTS, AND DISCLAIMS ALL WARRANTIES, EXPRESS AND IMPLIED, INCLUDING WITHOUT LIMITATION ANY IMPLIED WARRANTIES OF MERCHANTABILITY, FITNESS FOR A PARTICULAR PURPOSE OR NON-INFRINGEMENT OF THIRD PARTY INTELLECTUAL PROPERTY RIGHTS.

These resources are intended for skilled developers designing with TI products. You are solely responsible for (1) selecting the appropriate TI products for your application, (2) designing, validating and testing your application, and (3) ensuring your application meets applicable standards, and any other safety, security, or other requirements. These resources are subject to change without notice. TI grants you permission to use these resources only for development of an application that uses the TI products described in the resource. Other reproduction and display of these resources is prohibited. No license is granted to any other TI intellectual property right or to any third party intellectual property right. TI disclaims responsibility for, and you will fully indemnify TI and its representatives against, any claims, damages, costs, losses, and liabilities arising out of your use of these resources.

TI's products are provided subject to TI's Terms of Sale (www.ti.com/legal/termsofsale.html) or other applicable terms available either on ti.com or provided in conjunction with such TI products. TI's provision of these resources does not expand or otherwise alter TI's applicable warranties or warranty disclaimers for TI products.

Mailing Address: Texas Instruments, Post Office Box 655303, Dallas, Texas 75265
Copyright © 2019, Texas Instruments Incorporated