

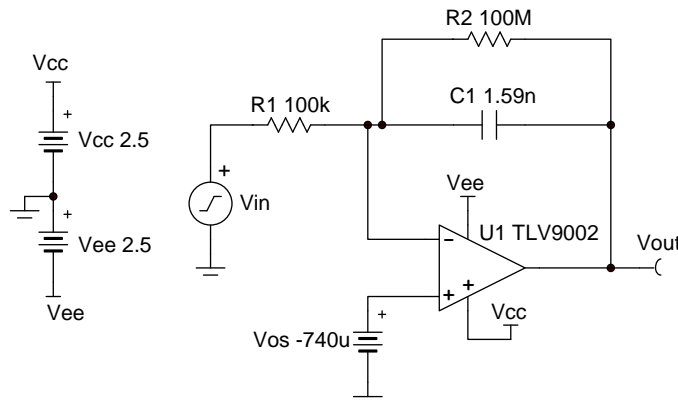
Integrator circuit

Design Goals

Input			Output		Supply	
f_{Min}	f_{0dB}	f_{Max}	V_{oMin}	V_{oMax}	V_{cc}	V_{ee}
100Hz	1kHz	100kHz	-2.45V	2.45V	2.5V	-2.5V

Design Description

The integrator circuit outputs the integral of the input signal over a frequency range based on the circuit time constant and the bandwidth of the amplifier. The input signal is applied to the inverting input so the output is inverted relative to the polarity of the input signal. The ideal integrator circuit will saturate to the supply rails depending on the polarity of the input offset voltage and requires the addition of a feedback resistor, R_2 , to provide a stable DC operating point. The feedback resistor limits the lower frequency range over which the integration function is performed. This circuit is most commonly used as part of a larger feedback/servo loop which provides the DC feedback path, thus removing the requirement for a feedback resistor.



Copyright © 2018, Texas Instruments Incorporated

Design Notes

1. Use as large of a value as practical for the feedback resistor.
2. Select a CMOS op amp to minimize the errors from the input bias current.
3. The gain bandwidth product (GBP) of the amplifier will set the upper frequency range of the integrator function. The effectiveness of the integration function is usually reduced starting about one decade away from the amplifier bandwidth.
4. An adjustable reference needs to be connected to the non-inverting input of the op amp to cancel the input offset voltage or the large DC noise gain will cause the circuit to saturate. Op amps with very low offset voltage may not require this.

Design Steps

The ideal circuit transfer function is given below.

$$V_{out} = -\frac{1}{R_1 \times C_1} \int_0^t V_{in}(t) dt$$

1. Set R_1 to a standard value.

$$R_1 = 100k\Omega$$

2. Calculate C_1 to set the unity-gain integration frequency.

$$C_1 = \frac{1}{2 \times \pi \times R_1 \times f_{0dB}} = \frac{1}{2 \times \pi \times 100k\Omega \times 1 \text{ kHz}} = 1.59nF$$

3. Calculate R_2 to set the lower cutoff frequency a decade less than the minimum operating frequency.

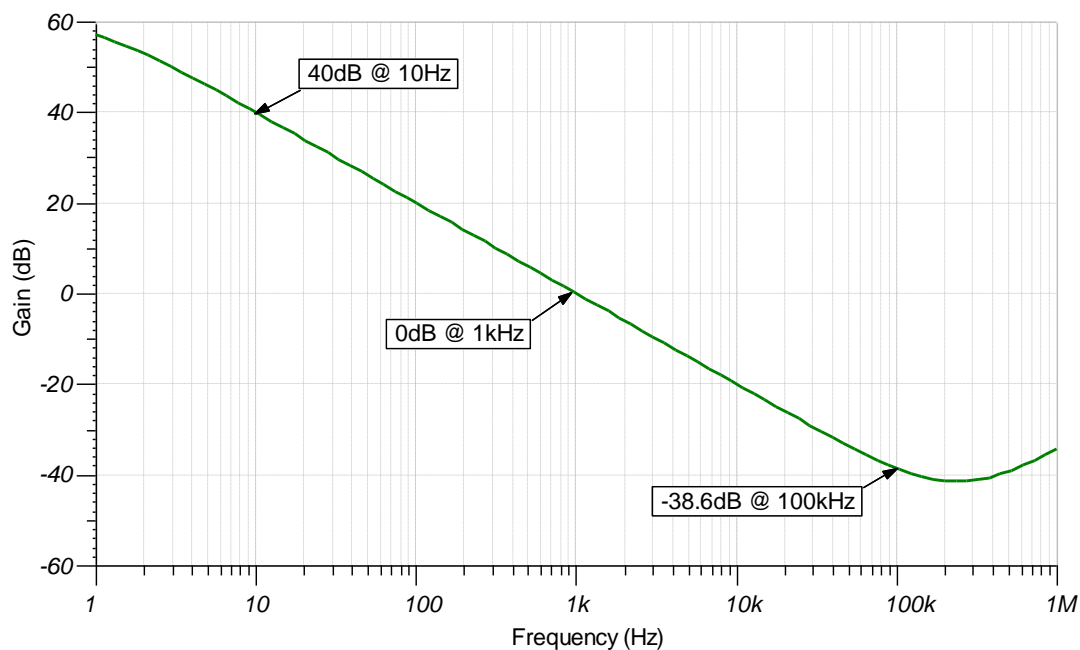
$$R_2 \geq \frac{10}{2 \times \pi \times C_1 \times f_{Min}} \geq \frac{10}{2 \times \pi \times 1.59nF \times 10Hz} \geq 100M\Omega$$

4. Select an amplifier with a gain bandwidth at least 10 times the desired maximum operating frequency.

$$GBP \geq 10 \times f_{Max} \geq 10 \times 100kHz \geq 1 \text{ MHz}$$

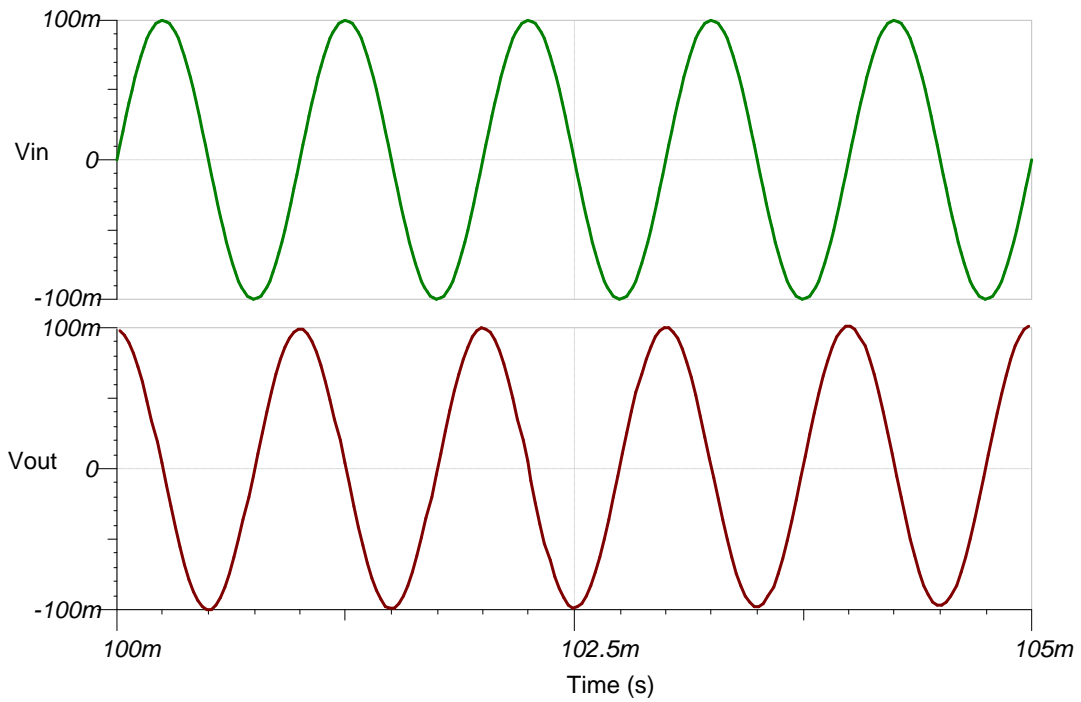
Design Simulations

AC Simulation Results

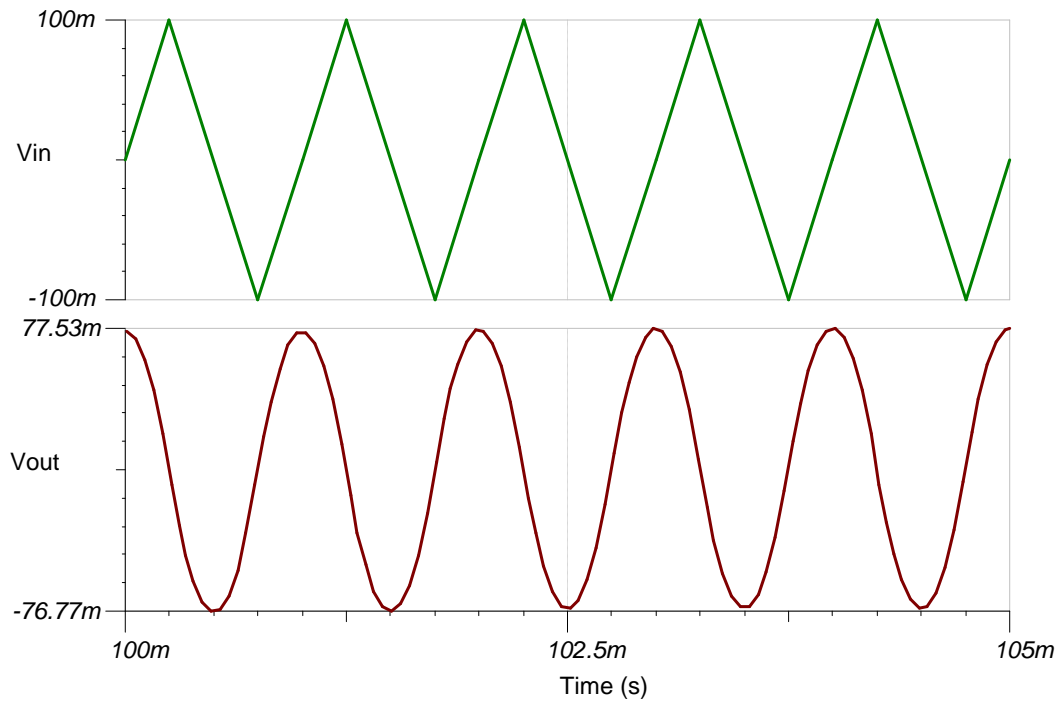


Transient Simulation Results

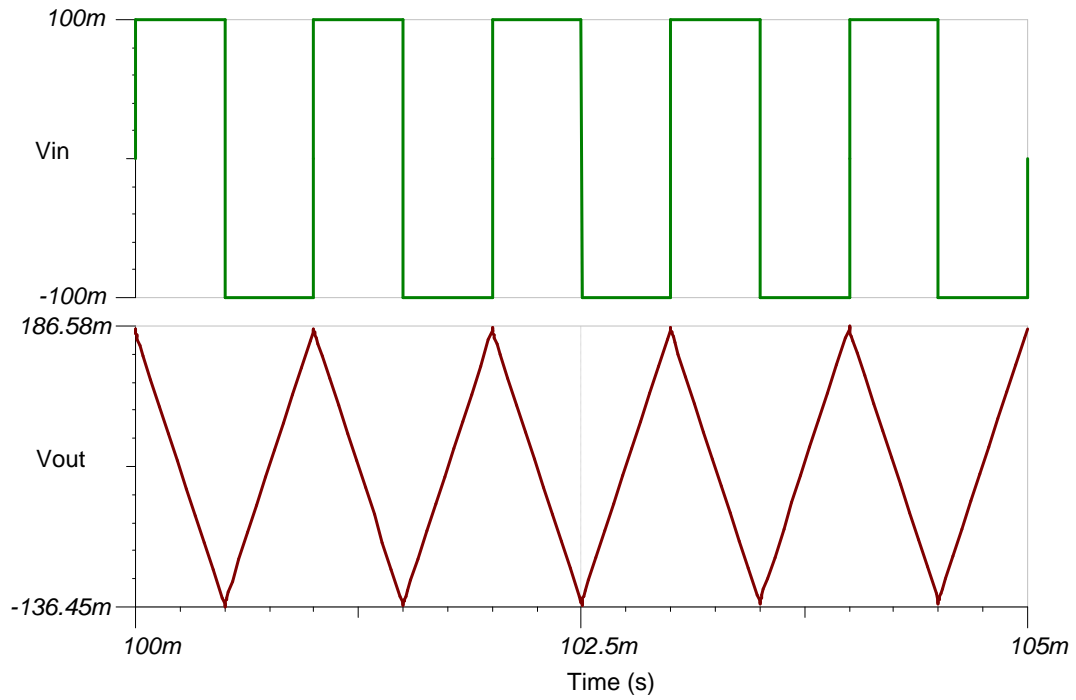
A 1-kHz sine wave input yields a 1-kHz cosine output.



A 1-kHz triangle wave input yields a 1-kHz sine wave output.



A 1-kHz square wave input yields a 1-kHz triangle wave output.



Design References

See [Analog Engineer's Circuit Cookbooks](#) for TI's comprehensive circuit library.

See circuit SPICE simulation file [SBOC496](#).

See TIPD191, www.ti.com/tool/tipd191.

Design Featured Op Amp

TLV9002	
V_{cc}	1.8V to 5.5V
V_{inCM}	Rail-to-rail
V_{out}	Rail-to-rail
V_{os}	0.4mV
I_q	0.06mA
I_b	5pA
UGBW	1MHz
SR	2V/ μ s
#Channels	1, 2, 4
www.ti.com/product/tlv9002	

Design Alternate Op Amp

OPA376	
V_{cc}	2.2V to 5.5V
V_{inCM}	($V_{ee}-0.1V$) to ($V_{cc}-1.3V$)
V_{out}	Rail-to-rail
V_{os}	0.005mV
I_q	0.76mA
I_b	0.2pA
UGBW	5.5MHz
SR	2V/ μ s
#Channels	1, 2, 4
www.ti.com/product/opa376	

Revision History

Revision	Date	Change
A	January 2019	Downscale the title and changed title role to 'Amplifiers'. Added link to circuit cookbook landing page.

IMPORTANT NOTICE AND DISCLAIMER

TI PROVIDES TECHNICAL AND RELIABILITY DATA (INCLUDING DATASHEETS), DESIGN RESOURCES (INCLUDING REFERENCE DESIGNS), APPLICATION OR OTHER DESIGN ADVICE, WEB TOOLS, SAFETY INFORMATION, AND OTHER RESOURCES "AS IS" AND WITH ALL FAULTS, AND DISCLAIMS ALL WARRANTIES, EXPRESS AND IMPLIED, INCLUDING WITHOUT LIMITATION ANY IMPLIED WARRANTIES OF MERCHANTABILITY, FITNESS FOR A PARTICULAR PURPOSE OR NON-INFRINGEMENT OF THIRD PARTY INTELLECTUAL PROPERTY RIGHTS.

These resources are intended for skilled developers designing with TI products. You are solely responsible for (1) selecting the appropriate TI products for your application, (2) designing, validating and testing your application, and (3) ensuring your application meets applicable standards, and any other safety, security, or other requirements. These resources are subject to change without notice. TI grants you permission to use these resources only for development of an application that uses the TI products described in the resource. Other reproduction and display of these resources is prohibited. No license is granted to any other TI intellectual property right or to any third party intellectual property right. TI disclaims responsibility for, and you will fully indemnify TI and its representatives against, any claims, damages, costs, losses, and liabilities arising out of your use of these resources.

TI's products are provided subject to TI's Terms of Sale (www.ti.com/legal/termsofsale.html) or other applicable terms available either on ti.com or provided in conjunction with such TI products. TI's provision of these resources does not expand or otherwise alter TI's applicable warranties or warranty disclaimers for TI products.

Mailing Address: Texas Instruments, Post Office Box 655303, Dallas, Texas 75265
Copyright © 2019, Texas Instruments Incorporated