

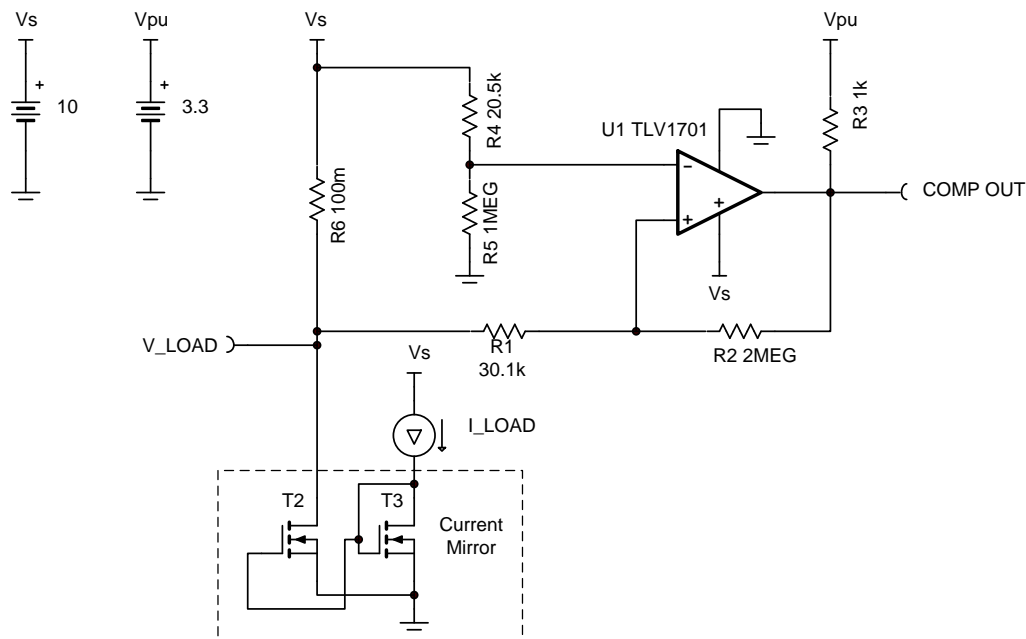
High-side current sensing with comparator circuit

Design Goals

Load Current (I_L)		System Supply (V_S)	Comparator Output Status	
Over Current (I_{OC})	Recovery Current (I_{RC})	Typical	Over Current	Normal Operation
1 A	0.5 A	10 V	$V_{OL} < 0.4$ V	$V_{OH} = V_{PU} = 3.3$ V

Design Description

This high-side, current sensing solution uses one comparator with a rail-to-rail input common mode range to create an over-current alert (OC-Alert) signal at the comparator output (COMP OUT) if the load current rises above 1A. The OC-Alert signal in this implementation is active low. So when the 1A threshold is exceeded, the comparator output goes low. Hysteresis is implemented such that OC-Alert will return to a logic high state when the load current reduces to 0.5A (a 50% reduction). This circuit utilizes an open-drain output comparator in order to level shift the output high logic level for controlling a digital logic input pin. For applications needing to drive the gate of a MOSFET switch, a comparator with a push-pull output is preferred.



Design Notes

1. Select a comparator with rail-to-rail input common mode range to enable high-side current sensing.
2. Select a comparator with an open-drain output stage for level-shifting.
3. Select a comparator with low input offset voltage to optimize accuracy.
4. Calculate the value for the shunt resistor (R_S) so the shunt voltage (V_{SHUNT}) is at least ten times larger than the comparator offset voltage (V_{IO}).

Design Steps

1. Select value of R_6 so V_{SHUNT} is at least 10x greater than the comparator input offset voltage (V_{IO}). Note that making R_6 very large will improve OC detection accuracy but will reduce supply headroom.

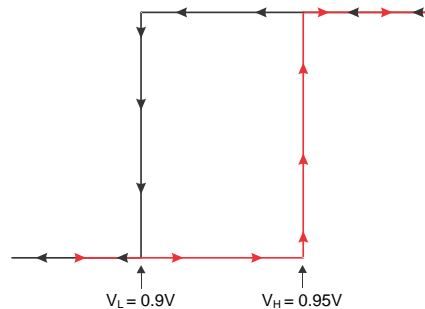
$$V_{SHUNT} = (I_{OC} \times R_6) \geq 10 \times V_{IO} = 55\text{mV}$$

$$\text{set } R_6 = 100\text{m}\Omega \text{ for } I_{OC} = 1\text{A} \text{ \& } V_{IO} = 5.5\text{mV}$$

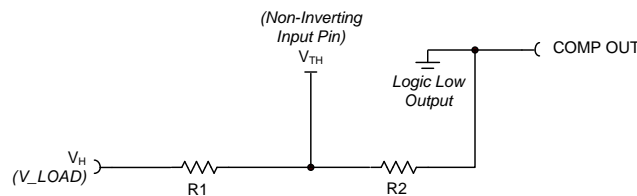
2. Determine the desired switching thresholds for when the comparator output will transition from high-to-low (V_L) and low-to-high (V_H). V_L represents the threshold when the load current crosses the OC level, while V_H represents the threshold when the load current recovers to a normal operating level.

$$V_L = V_S - (I_{OC} \times R_6) = 10 - (1 \times 0.1) = 0.9\text{V}$$

$$V_H = V_S - (I_{RC} \times R_6) = 10 - (0.5 \times 0.1) = 0.95\text{V}$$

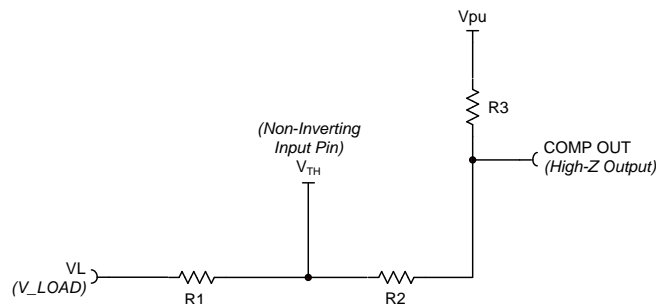


3. With the non-inverting input pin of the comparator labeled as V_{TH} and the comparator output in a logic low state (ground), derive an equation for V_{TH} where V_H represents the load voltage (V_{LOAD}) when the comparator output transitions from low to high. Note that the simplified diagram for deriving the equation shows the comparator output as ground (logic low).



$$V_{TH} = V_H \times \left(\frac{R_2}{R_1 + R_2} \right)$$

4. With the non-inverting input pin of the comparator labeled as V_{TH} and the comparator output in a high-impedance state, derive an equation for V_{TH} where V_L represents the load voltage (V_{LOAD}) when the comparator output transitions from high to low. Applying "superposition" theory to solve for V_{TH} is recommended.



$$V_{TH} = V_L \times \left(\frac{R_2 + R_3}{R_1 + R_2 + R_3} \right) + V_{PU} \times \left(\frac{R_1}{R_1 + R_2 + R_3} \right)$$

5. Eliminate variable V_{TH} by setting the two equations equal to each other and solve for R_1 . The result is the following quadratic equation. Solving for R_2 is less desirable since there are more standard values for small resistor values than the larger ones.

$$0 = (V_{PU}) \times R_1^2 + (V_{PU} \times R_2 + V_L \times (R_3 + R_2) - V_H \times R_2) \times R_1 + (V_L - V_H) \times (R_2^2 + R_2 \times R_3)$$

6. Calculate R_1 after substituting in numeric values for V_{PU} , R_2 , V_L , V_H , and R_3 . For this design, set $V_{PU}=3.3$, $R_2=2M$, $V_L=9.9$, $V_H=9.95$, and $R_3=1k$. Please note that R_3 is significantly smaller than R_2 ($R_3 \ll R_2$). Increasing R_3 will cause the comparator logic high output level to increase beyond V_{PU} and should be avoided. For example, increasing R_3 to a value of 100k can cause the logic high output to be 3.6V.

$$0 = (3.3) \times R_1^2 + (6.591M) \times R_1 - (200.1G)$$

the positive root for $R_1 = 29.9k\Omega$

using standard 1% resistor values, $R_1 = 30.1k\Omega$

7. Calculate V_{TH} using the equation derived in Design Step 3; use the calculated value for R_1 . Note that V_{TH} is less than V_L since V_{PU} is less than V_L .

$$V_{TH} = V_H \times \left(\frac{R_2}{R_1 + R_2} \right) = 9.802V$$

8. With the inverting terminal labeled as V_{TH} , derive an equation for V_{TH} in terms of R_4 , R_5 , and V_S .

$$V_{TH} = V_S \times \left(\frac{R_5}{R_4 + R_5} \right)$$

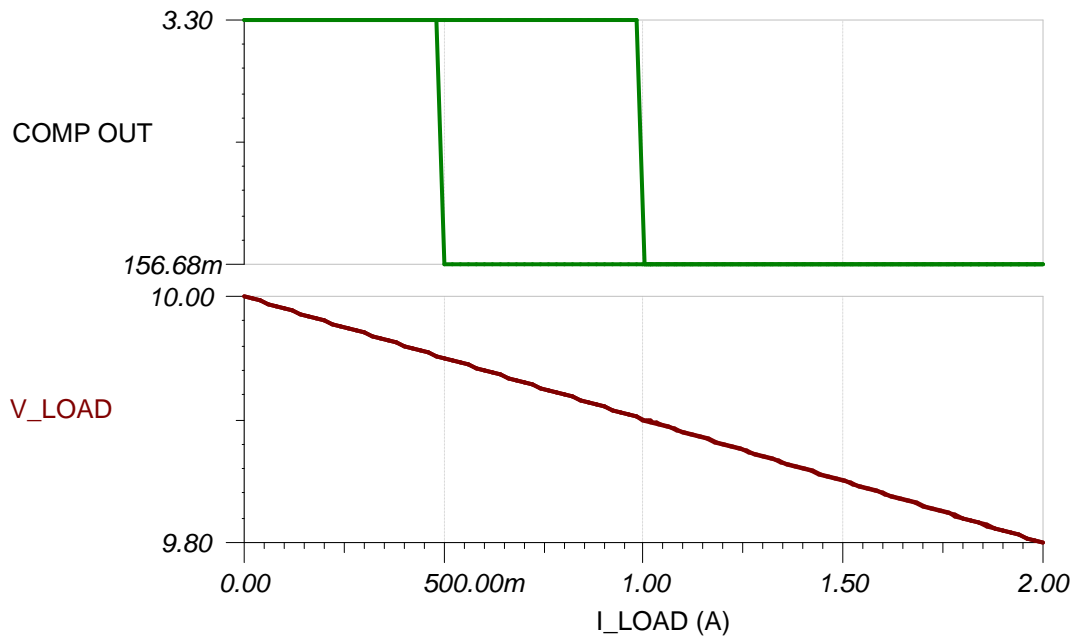
9. Calculate R_4 after substituting in numeric values $R_5=1M$, $V_S=10$, and the calculated value for V_{TH} .

$$R_4 = \left(\frac{R_5 \times (V_S - V_{TH})}{V_{TH}} \right) = 20.15k\Omega$$

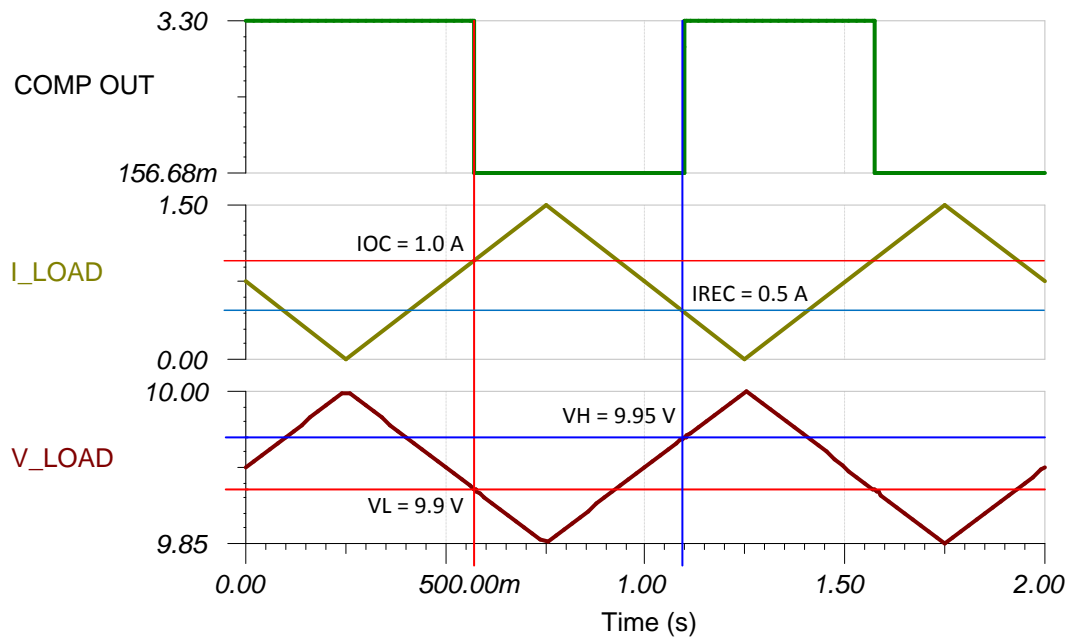
using standard 1% resistor values, $R_4 = 20.5k\Omega$

Design Simulations

DC Simulation Results



Transient Simulation Results



Design References

See [Analog Engineer's Circuit Cookbooks](#) for TI's comprehensive circuit library.

See Circuit SPICE Simulation File SLOM456, <http://www.ti.com/lit/zip/slom456>.

Design Featured Comparator

TLV170x-Q1, TLV170x	
V_S	2.2 V to 36 V
V_{inCM}	Rail-to-rail
V_{OUT}	Open-Drain, Rail-to-rail
V_{OS}	500 μ V
I_Q	55 μ A/channel
$t_{PD(HL)}$	460 ns
#Channels	1, 2, 4
www.ti.com/product/tlv1701-q1	

Design Alternate Comparator

	TLV7021	TLV370x-Q1, TLV340x
V_S	1.6 V to 5.5 V	2.7 V to 16 V
V_{inCM}	Rail-to-rail	Rail-to-rail
V_{OUT}	Open-Drain, Rail-to-rail	Push-Pull, Rail-to-rail
V_{OS}	500 μ V	250 μ V
I_Q	5 μ A	560 μ A/Ch
$t_{PD(HL)}$	260 ns	36 μ s
#Channels	1	1, 2, 4
	www.ti.com/product/tlv7021	www.ti.com/product/tlv3701-q1

IMPORTANT NOTICE AND DISCLAIMER

TI PROVIDES TECHNICAL AND RELIABILITY DATA (INCLUDING DATA SHEETS), DESIGN RESOURCES (INCLUDING REFERENCE DESIGNS), APPLICATION OR OTHER DESIGN ADVICE, WEB TOOLS, SAFETY INFORMATION, AND OTHER RESOURCES "AS IS" AND WITH ALL FAULTS, AND DISCLAIMS ALL WARRANTIES, EXPRESS AND IMPLIED, INCLUDING WITHOUT LIMITATION ANY IMPLIED WARRANTIES OF MERCHANTABILITY, FITNESS FOR A PARTICULAR PURPOSE OR NON-INFRINGEMENT OF THIRD PARTY INTELLECTUAL PROPERTY RIGHTS.

These resources are intended for skilled developers designing with TI products. You are solely responsible for (1) selecting the appropriate TI products for your application, (2) designing, validating and testing your application, and (3) ensuring your application meets applicable standards, and any other safety, security, regulatory or other requirements.

These resources are subject to change without notice. TI grants you permission to use these resources only for development of an application that uses the TI products described in the resource. Other reproduction and display of these resources is prohibited. No license is granted to any other TI intellectual property right or to any third party intellectual property right. TI disclaims responsibility for, and you will fully indemnify TI and its representatives against, any claims, damages, costs, losses, and liabilities arising out of your use of these resources.

TI's products are provided subject to [TI's Terms of Sale](#) or other applicable terms available either on ti.com or provided in conjunction with such TI products. TI's provision of these resources does not expand or otherwise alter TI's applicable warranties or warranty disclaimers for TI products.

TI objects to and rejects any additional or different terms you may have proposed.

Mailing Address: Texas Instruments, Post Office Box 655303, Dallas, Texas 75265
Copyright © 2021, Texas Instruments Incorporated