

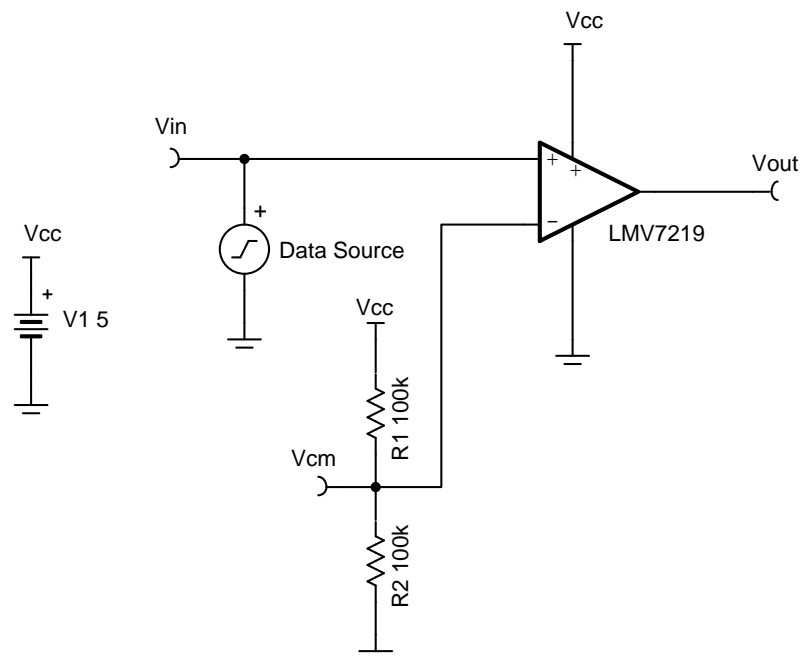
Signal and clock restoration circuit

Design Goals

Supply		Attenuated Input Signal		
V_{cc}	V_{ee}	V_i	V_{cm}	f
5V	0V	200mV _{p-p}	2.5V	20MHz

Design Description

The signal restoration circuit is used in digital systems to retrieve distorted clock or data waveforms. These clock and data signals can be attenuated and distorted on long traces due to stray capacitance, stray inductance, or reflections on transmission lines. The comparator is used to sense the attenuated and distorted input signal and convert it to a full scale digital output signal.



Design Notes

1. Select a comparator with low input offset voltage and fast propagation delay.
2. A comparator with a toggle frequency larger than the input signal frequency should be used in order to properly process the incoming digital signal. A margin of 30% is sufficient.
3. If level translation is also required, use a comparator with separate input and output supplies.
4. If a differential output is required, use a comparator with a compatible output stage such as the LVDS compatible output on the LMH7220.

Design Steps

1. Calculate the maximum toggle frequency of the comparator to ensure it can process the 20MHz input signal.

$$f_{\max} = (t_{\text{rise}} + t_{\text{fall}} + t_{\text{pd_hl}} + t_{\text{pd_lh}})^{-1}$$

$$f_{\max} = (1.3\text{ns} + 1.25\text{ns} + 7\text{ns} + 7\text{ns})^{-1} = 35.4 \text{ MHz}$$

2. Set the inverting input of the comparator to the common mode voltage of 2.5V through the resistor divider R_1 , R_2 .

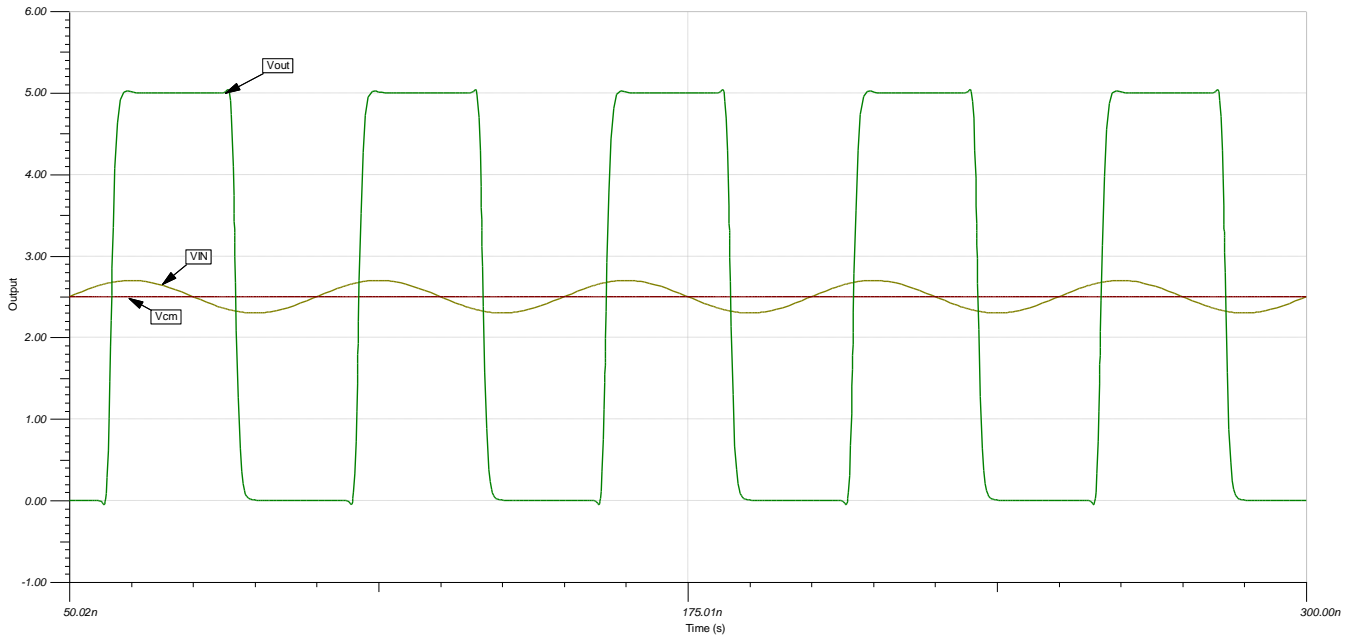
$$V_{\text{cm}} = (V_{\text{cc}}) \times \left(\frac{R_2}{R_1 + R_2}\right) = 2.5\text{V}$$

$$\left(\frac{R_2}{R_1 + R_2}\right) = \frac{1}{2}$$

3. Set $R_1 = R_2 = 100\text{k}$.
4. Set the noninverting input of the comparator to the input data signal.

Design Simulations

Transient Simulation Results



Design References

See [Analog Engineer's Circuit Cookbooks](#) for TI's comprehensive circuit library.

See circuit spice simulation file, [SNOM661](#).

For more information on many comparator topics including hysteresis, propagation delay and input common mode range please see, [TI Precision Labs](#).

Design Featured Comparator

LMV7219	
V_{SS}	2.7V to 5V
V_{inCM}	Rail-to-rail
t_{pd}	7ns
V_{os}	1mV
V_{HYS}	7mV
I_q	0.9mA
Output Type	Push-Pull
#Channels	1
www.ti.com/product/lmv7219	

Design Alternate Comparator

	TLV3501	LMH7220
V_{SS}	2.7 to 5.5V	2.7V to 12V
V_{inCM}	Rail-to-rail	Rail-to-rail
t_{pd}	4.5ns	2.9ns
V_{os}	1mV	9.5mV
V_{HYS}	6mV	na
I_q	3.2mA	6.8
Output Type	Push-Pull	LVDS
#Channels	1	1
	www.ti.com/product/tlv3501	www.ti.com/product/lmh7220

IMPORTANT NOTICE AND DISCLAIMER

TI PROVIDES TECHNICAL AND RELIABILITY DATA (INCLUDING DATASHEETS), DESIGN RESOURCES (INCLUDING REFERENCE DESIGNS), APPLICATION OR OTHER DESIGN ADVICE, WEB TOOLS, SAFETY INFORMATION, AND OTHER RESOURCES "AS IS" AND WITH ALL FAULTS, AND DISCLAIMS ALL WARRANTIES, EXPRESS AND IMPLIED, INCLUDING WITHOUT LIMITATION ANY IMPLIED WARRANTIES OF MERCHANTABILITY, FITNESS FOR A PARTICULAR PURPOSE OR NON-INFRINGEMENT OF THIRD PARTY INTELLECTUAL PROPERTY RIGHTS.

These resources are intended for skilled developers designing with TI products. You are solely responsible for (1) selecting the appropriate TI products for your application, (2) designing, validating and testing your application, and (3) ensuring your application meets applicable standards, and any other safety, security, or other requirements. These resources are subject to change without notice. TI grants you permission to use these resources only for development of an application that uses the TI products described in the resource. Other reproduction and display of these resources is prohibited. No license is granted to any other TI intellectual property right or to any third party intellectual property right. TI disclaims responsibility for, and you will fully indemnify TI and its representatives against, any claims, damages, costs, losses, and liabilities arising out of your use of these resources.

TI's products are provided subject to TI's Terms of Sale (www.ti.com/legal/termsofsale.html) or other applicable terms available either on ti.com or provided in conjunction with such TI products. TI's provision of these resources does not expand or otherwise alter TI's applicable warranties or warranty disclaimers for TI products.

Mailing Address: Texas Instruments, Post Office Box 655303, Dallas, Texas 75265
Copyright © 2019, Texas Instruments Incorporated