

Application Report

TLV197-Q1

Functional Safety FIT Rate, FMD and Pin FMA



Table of Contents

1 Overview.....	2
2 Functional Safety Failure In Time (FIT) Rates.....	3
3 Failure Mode Distribution (FMD).....	4
4 Pin Failure Mode Analysis (Pin FMA).....	5

Trademarks

All other trademarks are the property of their respective owners.

1 Overview

This document contains information for TLV197-Q1 (VSSOP package) to aid in a functional safety system design. Information provided are:

- Functional Safety Failure In Time (FIT) rates of the semiconductor component estimated by the application of industry reliability standards
- Component failure modes and their distribution (FMD) based on the primary function of the device
- Pin failure mode analysis (Pin FMA)

Figure 1-1 shows the device functional block diagram for reference.

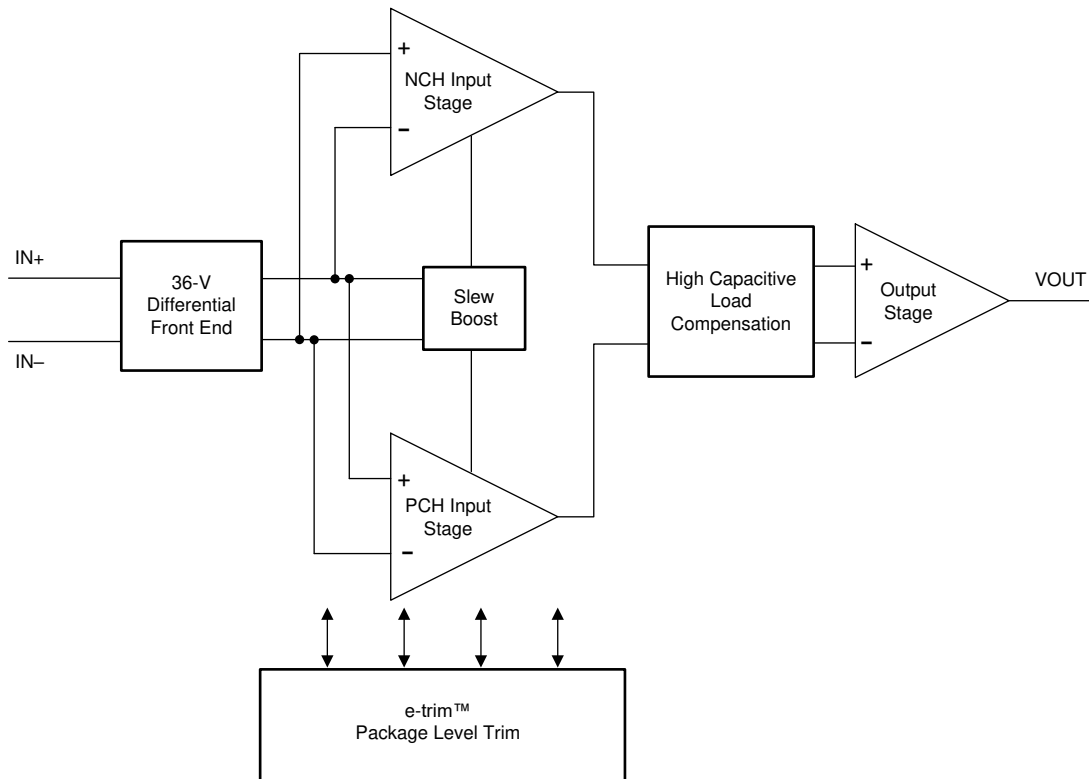


Figure 1-1. Functional Block Diagram

TLV197-Q1 was developed using a quality-managed development process, but was not developed in accordance with the IEC 61508 or ISO 26262 standards.

2 Functional Safety Failure In Time (FIT) Rates

This section provides Functional Safety Failure In Time (FIT) rates for TLV197-Q1 based on two different industry-wide used reliability standards:

- [Table 2-1](#) provides FIT rates based on IEC TR 62380 / ISO 26262 part 11
- [Table 2-2](#) provides FIT rates based on the Siemens Norm SN 29500-2

Table 2-1. Component Failure Rates per IEC TR 62380 / ISO 26262 Part 11

FIT IEC TR 62380 / ISO 26262	FIT (Failures Per 10 ⁹ Hours)
Total Component FIT Rate	8
Die FIT Rate	4
Package FIT Rate	4

The failure rate and mission profile information in [Table 2-1](#) comes from the Reliability data handbook IEC TR 62380 / ISO 26262 part 11:

- Mission Profile: Motor Control from Table 11
- Power dissipation: 100 mW
- Climate type: World-wide Table 8
- Package factor (λ_3): Table 17b
- Substrate Material: FR4
- EOS FIT rate assumed: 0 FIT

Table 2-2. Component Failure Rates per Siemens Norm SN 29500-2

Table	Category	Reference FIT Rate	Reference Virtual T _J
4	BICMOS Op Amp, Comparators, Voltage Monitors	8 FIT	45°C

The Reference FIT Rate and Reference Virtual T_J (junction temperature) in [Table 2-2](#) come from the Siemens Norm SN 29500-2 tables 1 through 5. Failure rates under operating conditions are calculated from the reference failure rate and virtual junction temperature using conversion information in SN 29500-2 section 4.

3 Failure Mode Distribution (FMD)

The failure mode distribution estimation for TLV197-Q1 in [Table 3-1](#) comes from the combination of common failure modes listed in standards such as IEC 61508 and ISO 26262, the ratio of sub-circuit function size and complexity and from best engineering judgment.

The failure modes listed in this section reflect random failure events and do not include failures due to misuse or overstress.

Table 3-1. Die Failure Modes and Distribution

Die Failure Modes	Failure Mode Distribution (%)
Output open (Hi-Z)	20%
Output saturate high	25%
Output saturate low	25%
Output functional, not in specification voltage or timing	30%

4 Pin Failure Mode Analysis (Pin FMA)

This section provides a Failure Mode Analysis (FMA) for the pins of the TLV197-Q1. The failure modes covered in this document include the typical pin-by-pin failure scenarios:

- Pin short-circuited to Ground (see [Table 4-2](#))
- Pin open-circuited (see [Table 4-3](#))
- Pin short-circuited to an adjacent pin (see [Table 4-4](#))
- Pin short-circuited to supply (see [Table 4-5](#))

[Table 4-2](#) through [Table 4-5](#) also indicate how these pin conditions can affect the device as per the failure effects classification in [Table 4-1](#).

Table 4-1. TI Classification of Failure Effects

Class	Failure Effects
A	Potential device damage that affects functionality
B	No device damage, but loss of functionality
C	No device damage, but performance degradation
D	No device damage, no impact to functionality or performance

[Figure 4-1](#) shows the TLV197-Q1 in DGK package pin diagram. For a detailed description of the device pins please refer to the *Pin Configuration and Functions* section in the TLV197-Q1 data sheet.

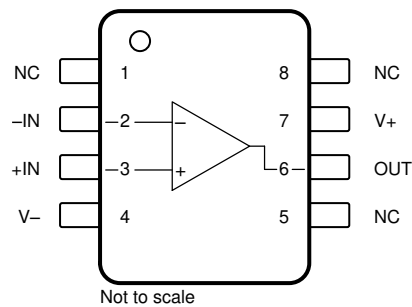


Figure 4-1. Pin Diagram

Following are the assumptions of use and the device configuration assumed for the pin FMA in this section:

- 'Short circuit to Power' means short to V+
- "Short circuit to GND or Ground" means short to V–

Table 4-2. Pin FMA for Device Pins Short-Circuited to Ground

Pin Name	Pin No.	Description of Potential Failure Effect(s)	Failure Effect Class
NC	1	NC pin internally disconnected, no effect.	D
-IN	2	Negative feedback not present to device. Depending on circuit configuration, output will most likely move to negative supply.	B
+IN	3	Device common-mode tied to negative rail. Depending on circuit configuration, output will likely not respond due to the device being put in an invalid common-mode condition.	C
NC	5	NC pin internally disconnected, no effect.	D
OUT	6	Depending on circuit configuration, device will likely be forced into short circuit condition with OUT voltage ultimately forced to V- voltage. Prolonged exposure to short circuit conditions could result in long term reliability issues.	A
V+	7	Op-Amp supplies will be shorted together leaving V+ pin at some voltage between V+ and V- sources (depending on source impedance).	A
NC	8	NC pin internally disconnected, no effect.	D

Table 4-3. Pin FMA for Device Pins Open-Circuited

Pin Name	Pin No.	Description of Potential Failure Effect(s)	Failure Effect Class
NC	1	NC pin internally disconnected, no effect.	D
-IN	2	Inverting pin of Op-Amp left floating. Negative feedback will not be provided to device, likely resulting in device output moving between positive and negative rail. -IN pin voltage will likely end up at positive or negative rail due to leakage on ESD diodes.	B
+IN	3	Input common-mode left floating. Op-Amp will not be provided with common-mode bias, device output will likely end up at positive or negative rail. +IN pin voltage will likely end up at positive or negative rail due to leakage on ESD diodes.	B
V-	4	Negative supply left floating. Op-Amp will cease to function as no current can source/sink to the device.	B
NC	5	NC pin internally disconnected, no effect.	D
OUT	6	No negative feedback or ability for OUT to drive application.	B
V+	7	Positive supply left floating. Op-Amp will cease to function as no current can source/sink to the device.	A
NC	8	NC pin internally disconnected, no effect.	D

Table 4-4. Pin FMA for Device Pins Short-Circuited to Adjacent Pin

Pin Name	Pin No.	Shorted to	Description of Potential Failure Effect(s)	Failure Effect Class
NC	1	–IN	NC pin internally disconnected, no effect.	D
–IN	2	+IN	Both inputs will be tied together. Depending on the offset of the device, this will likely move the output voltage near mid supply.	D
+IN	3	V–	Device common–mode tied to negative rail. Depending on circuit configuration, output will likely not respond due to the device being put in an invalid common–mode condition.	C
V–	4	NC	NC pin internally disconnected, no effect.	D
NC	5	OUT	NC pin internally disconnected, no effect.	D
OUT	6	V+	Depending on circuit configuration, device will likely be forced into short circuit condition with OUT voltage ultimately forced to V+ voltage. Prolonged exposure to short circuit conditions could result in long term reliability issues.	A
V+	7	NC	NC pin internally disconnected, no effect.	D

Table 4-5. Pin FMA for Device Pins Short-Circuited to supply

Pin Name	Pin No.	Description of Potential Failure Effect(s)	Failure Effect Class
NC	1	NC pin internally disconnected, no effect.	D
–IN	2	Negative feedback not present to device. Depending on non–inverting input voltage and circuit configuration, output will most likely move to negative supply.	B
+IN	3	Depending on circuit configuration, application will likely not function due to the device common–mode being connected to +IN.	B
V–	4	Op–Amp supplies will be shorted together leaving V– pin at some voltage between V– and V+ sources (depending on source impedance).	A
NC	5	NC pin internally disconnected, no effect.	D
OUT	6	Depending on circuit configuration, device will likely be forced into short circuit condition with OUT voltage ultimately forced to V+ voltage. Prolonged exposure to short circuit conditions could result in long term reliability issues.	A
NC	8	NC pin internally disconnected, no effect.	D

IMPORTANT NOTICE AND DISCLAIMER

TI PROVIDES TECHNICAL AND RELIABILITY DATA (INCLUDING DATASHEETS), DESIGN RESOURCES (INCLUDING REFERENCE DESIGNS), APPLICATION OR OTHER DESIGN ADVICE, WEB TOOLS, SAFETY INFORMATION, AND OTHER RESOURCES "AS IS" AND WITH ALL FAULTS, AND DISCLAIMS ALL WARRANTIES, EXPRESS AND IMPLIED, INCLUDING WITHOUT LIMITATION ANY IMPLIED WARRANTIES OF MERCHANTABILITY, FITNESS FOR A PARTICULAR PURPOSE OR NON-INFRINGEMENT OF THIRD PARTY INTELLECTUAL PROPERTY RIGHTS.

These resources are intended for skilled developers designing with TI products. You are solely responsible for (1) selecting the appropriate TI products for your application, (2) designing, validating and testing your application, and (3) ensuring your application meets applicable standards, and any other safety, security, or other requirements. These resources are subject to change without notice. TI grants you permission to use these resources only for development of an application that uses the TI products described in the resource. Other reproduction and display of these resources is prohibited. No license is granted to any other TI intellectual property right or to any third party intellectual property right. TI disclaims responsibility for, and you will fully indemnify TI and its representatives against, any claims, damages, costs, losses, and liabilities arising out of your use of these resources.

TI's products are provided subject to TI's Terms of Sale (www.ti.com/legal/termsofsale.html) or other applicable terms available either on ti.com or provided in conjunction with such TI products. TI's provision of these resources does not expand or otherwise alter TI's applicable warranties or warranty disclaimers for TI products.

Mailing Address: Texas Instruments, Post Office Box 655303, Dallas, Texas 75265
Copyright © 2020, Texas Instruments Incorporated