

Analog Engineer's Circuit Amplifiers

"Improved" Howland current pump with buffer circuit

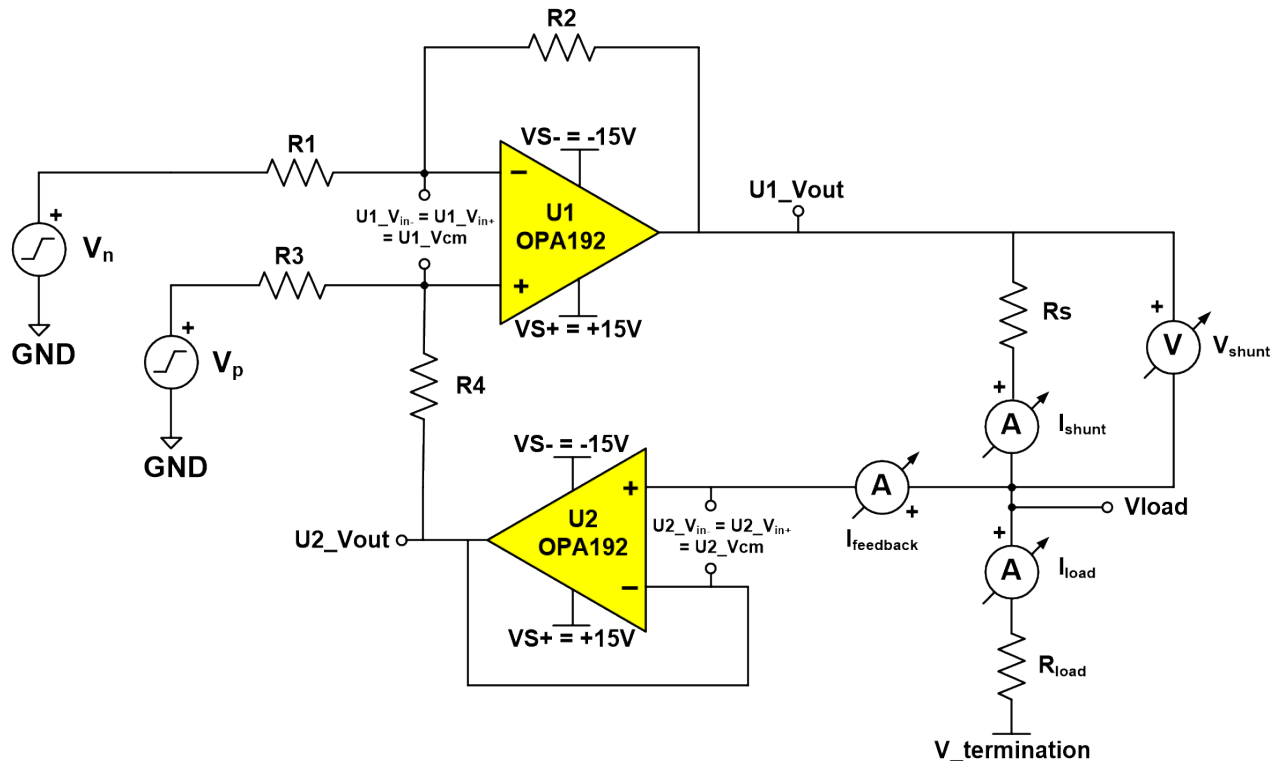


Design Goals

Input V_{in} ($V_p - V_n$)		Output		Supply		
V_{inMin}	V_{inMax}	I_{Min}	I_{Max}	VS+	VS-	V_{ref}
-5V	5V	-25mA	25mA	15V	-15V	0V

Design Description

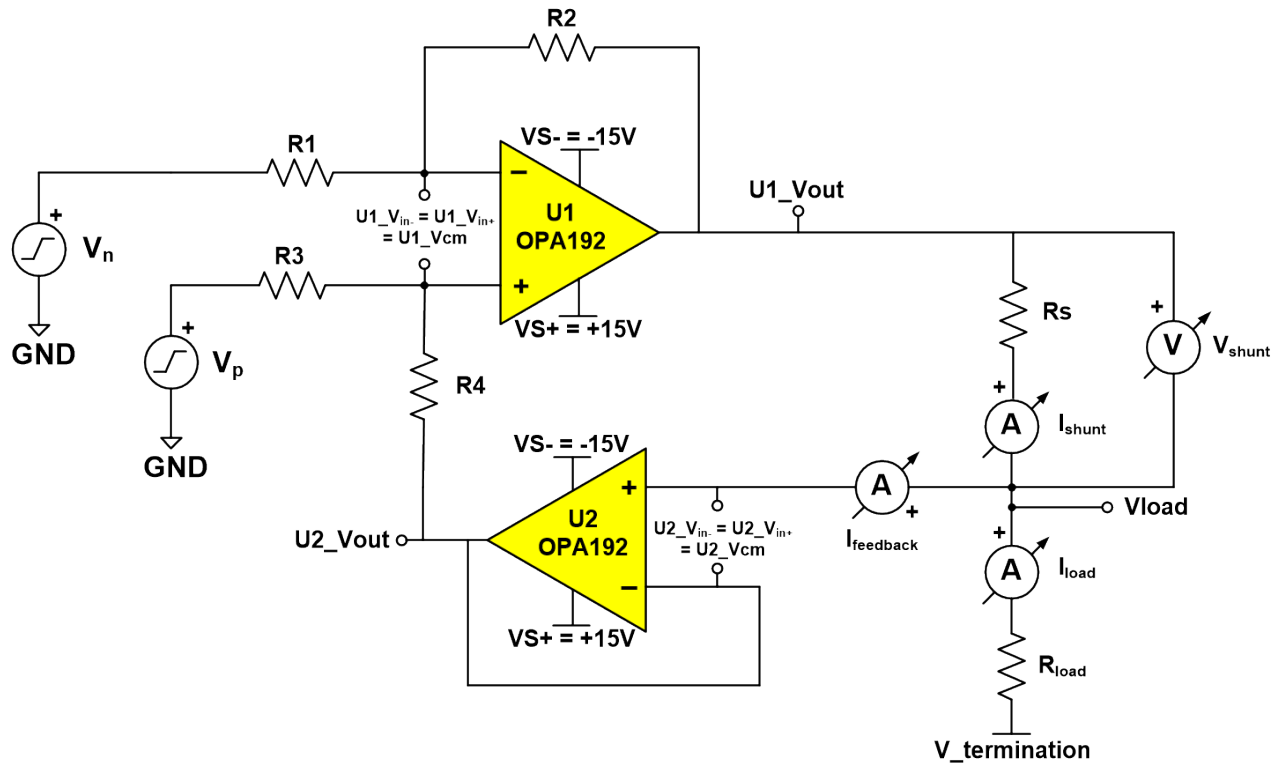
The "Improved" Howland current pump is a circuit that uses a difference amplifier to impose a voltage across a shunt resistor (R_s), creating a voltage-controlled bipolar (source or sink) current source capable of driving a wide range of load resistance. See the [AN-1515 A Comprehensive Study of the Howland Current Pump Application Report](#) for more information on the functionality of the "Improved" Howland current pump.



Design Notes

1. Ensure common-mode voltages at the inputs (V_{cm} nodes) of both op amps are within their V_{cm} range listed under Electrical Characteristics in the data sheet of the op amp.
2. Refer to the typical *Output Voltage Swing vs. Output Current* graphs in the data sheet to account for output swing from rails (V_{out} nodes) for both op amps.
3. Resistor mismatch will contribute gain error and degrade CMRR of the circuit.
4. The buffer offers improved output impedance of the current source nearly eliminating $I_{feedback}$ current. This allows the use of smaller resistor values for R1 through R4, reducing thermal noise. Possible bandwidth limitations and stability issues caused by large resistances and parasitic capacitances in the circuit are also reduced.
5. Special precautions should be taken when driving reactive loads.
6. A typical design procedure first calculates the gain for a known output current and shunt resistor; then sets R1 and scales R2 through R4 accordingly. This can be an iterative process.
7. The figures use two [OPA192](#) op amps, but in practice a single chip [OPA2192](#) can be used.

Design Steps



1. Calculating gain (G) for a given I_{load} and shunt resistor:

$$G(V/V) = \frac{I_{load} \times R_s}{V_p - V_n}$$

$$G(V/V) = \frac{R_2}{R_1}, \quad (R_1 = R_3, R_2 = R_4)$$

2. Ensure V_{out} for both op amps are within their voltage output swing from rails (V_{out_Min} , V_{out_Max}) at a specific output current specified in the data sheet. The following formula can be used to calculate $U1_V_{out}$ for U1 OPA192. $U2_V_{out}$ for U2 OPA192 will be V_{load} .

$$V_{out_Min} < V_{out} < V_{out_Max}$$

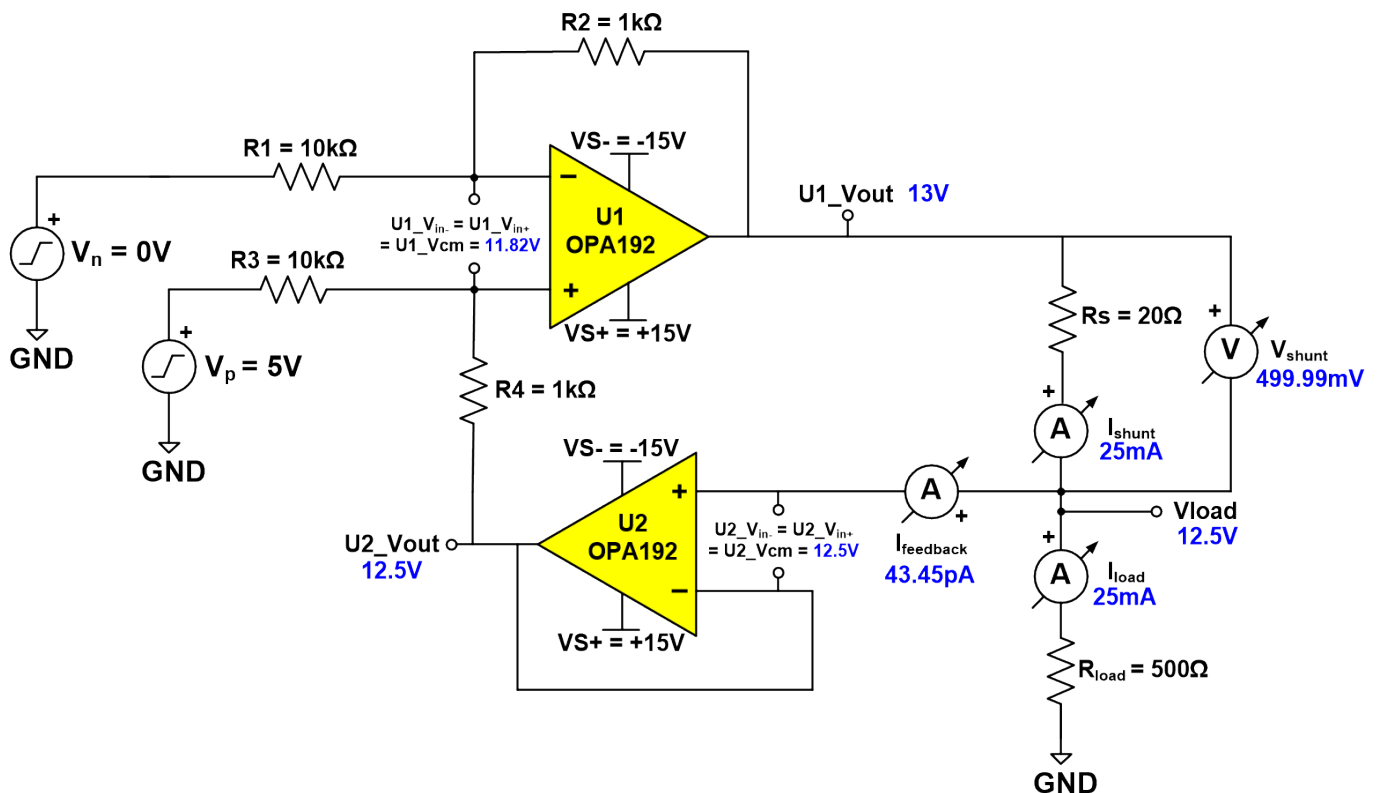
$$U1_V_{out} = V_{termination} + (I_{load} \times R_{load}) + V_{shunt}$$

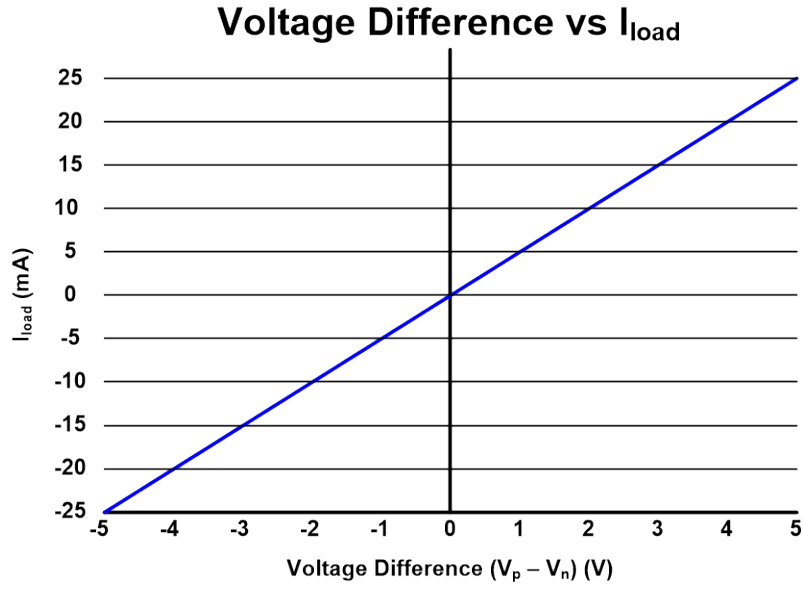
Design Simulations

A design goal of $\pm 25\text{mA}$ of output current from an input voltage difference of $\pm 5\text{V}$ and a $500\text{-}\Omega$ load results in a V_{load} value of $\pm 12.5\text{V}$, assuming a $V_{\text{termination}}$ voltage of 0V . The remaining ± 2.5 volts must accommodate the output swing-to-rail of the selected op amp as well as the maximum voltage across the shunt. For these reasons a $20\text{-}\Omega$ shunt resistor and a gain of $1/10$ (V/V) was chosen. This V_{load} value is also within the voltage compliance range of the buffer.

A DC input voltage difference sweep is simulated with a fixed V_n input of 0V and the V_p input swept from -5V to 5V . As the following image shows, the input common-mode range, output swing-to-rail, and output current are within the specifications of the selected op amps. The configuration and results follow.

DC Simulation Results





Design References

See the [Analog Engineer's Circuit Cookbooks](#) for TI's comprehensive circuit library.

See the [AN-1515 A Comprehensive Study of the Howland Current Pump Application Report](#) for more information on the functionality of the "Improved" Howland current pump resource.

The TI E2E support forum on [Difference Amplifiers](#) contains information on the importance of matching difference amplifier resistors.

Design Featured Op Amp

OPA2192	
V_{ss}	4.5V–36V
V_{inCM}	Rail-to-rail
V_{out}	Rail-to-rail
V_{os}	5 μ V
I_q	1mA
I_b	5pA
UGBW	10MHz
SR	20V/ μ s
#Channels	2
www.ti.com/product/OPA2192	

Design Alternate Op Amp

OPA2990	
V_{ss}	2.7V–40V
V_{inCM}	Rail-to-rail
V_{out}	Rail-to-rail
V_{os}	0.3mV
I_q	120 μ A
I_b	10pA
UGBW	1.1MHz
SR	4.5V/ μ s
#Channels	2
www.ti.com/product/OPA2990	

IMPORTANT NOTICE AND DISCLAIMER

TI PROVIDES TECHNICAL AND RELIABILITY DATA (INCLUDING DATASHEETS), DESIGN RESOURCES (INCLUDING REFERENCE DESIGNS), APPLICATION OR OTHER DESIGN ADVICE, WEB TOOLS, SAFETY INFORMATION, AND OTHER RESOURCES "AS IS" AND WITH ALL FAULTS, AND DISCLAIMS ALL WARRANTIES, EXPRESS AND IMPLIED, INCLUDING WITHOUT LIMITATION ANY IMPLIED WARRANTIES OF MERCHANTABILITY, FITNESS FOR A PARTICULAR PURPOSE OR NON-INFRINGEMENT OF THIRD PARTY INTELLECTUAL PROPERTY RIGHTS.

These resources are intended for skilled developers designing with TI products. You are solely responsible for (1) selecting the appropriate TI products for your application, (2) designing, validating and testing your application, and (3) ensuring your application meets applicable standards, and any other safety, security, or other requirements. These resources are subject to change without notice. TI grants you permission to use these resources only for development of an application that uses the TI products described in the resource. Other reproduction and display of these resources is prohibited. No license is granted to any other TI intellectual property right or to any third party intellectual property right. TI disclaims responsibility for, and you will fully indemnify TI and its representatives against, any claims, damages, costs, losses, and liabilities arising out of your use of these resources.

TI's products are provided subject to TI's Terms of Sale (www.ti.com/legal/termsofsale.html) or other applicable terms available either on ti.com or provided in conjunction with such TI products. TI's provision of these resources does not expand or otherwise alter TI's applicable warranties or warranty disclaimers for TI products.

Mailing Address: Texas Instruments, Post Office Box 655303, Dallas, Texas 75265
Copyright © 2020, Texas Instruments Incorporated