

# Simplify Your Current Sensing Design in Negative Output Power Supply Designs

---



Bill Xu, Pithadia Sanjay, and Wendy Wang

## ABSTRACT

In medical systems or industry systems, designer often need to monitor system current in case fault, monitor system power status or current for control system. There are many current sensing amplifier available in the market but most of them are designed for sensing current in a positive output power supply applications and cannot directly be used for negative output power supply designs. This application note introduces four methods to use TI designs to sense current for a negative output power supply.

---

## Table of Contents

|  |          |
|--|----------|
| <b>1 Current Sensing</b> .....   | <b>2</b> |
| <b>2 Key Challenges of Current Sensing for Negative Power Supply</b> .....     | <b>2</b> |
| <b>3 Proposed Current Sensing Designs for Negative Power Supply</b> .....      | <b>2</b> |
| 3.1 Hall Current Sensor.....   | 2        |
| 3.2 Current Sensing Based Isolated Amplifier.....                              | 2        |
| 3.3 Current Sensing Based Isolated ADC.....                                    | 3        |
| 3.4 Negative Power Supply Current Sensing Based Current Sensing Amplifier..... | 4        |
| <b>4 Summary</b> .....   | <b>5</b> |
| <b>5 References</b> .....  | <b>5</b> |

## Trademarks

All trademarks are the property of their respective owners.

## 1 Current Sensing

In medical system or industry system, designers often need to monitor system current in case fault, monitor system power status, or current control. There are many current sensing designs available in the market but most of the sensing designs are designed for sensing current in a positive output power supply application and cannot directly be used for negative output power supply designs. This application note introduces four options to use TI designs to sense current for a negative output power supply.

## 2 Key Challenges of Current Sensing for Negative Power Supply

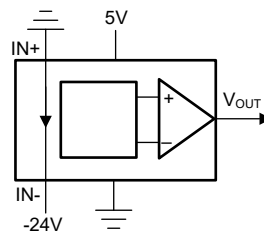
Measure current of negative power supply is not straightforward like measure current for positive power supply since the common input voltage for most current sensing amplifier in market is large than -22V. for -24V or -48V negative power supply applications in industry, there is almost no current sensing amplifier can meet -24V or -48V common input voltage specification in market. By floating the ground pin of current sensing amplifier, designer can make the input common voltage in range of current sensing amplifier, but output voltage potential is a negative voltage and out of range for most ADC. Then, it is not convenient for the designer to do post processing.

## 3 Proposed Current Sensing Designs for Negative Power Supply

TI has four designs that can easily to measure current for a negative power supply. Every design has benefits. Designers can select one design for specific specification and applications such as cost, performance, safety, and package.

### 3.1 Hall Current Sensor

Hall current sensor is a excellent choice design for negative current sensing. Designer can directly series the hall current sensor with negative power supply since hall current sensor in general is a galvanically isolated and capable of monitor DC or AC current. TI design and produce more than ten high performance hall current sensors to meet most industry applications. [TMCS1108](#) is a galvanically isolated Hall-effect current sensor capable of DC or AC current measurement with high accuracy, excellent linearity, temperature stability, low cost and small package. the 0 approximately 20A input current range with 80kHz bandwidth with four sensitivity options (50mV/A, 100mV/A, 200mV/A, and 400mV/A) can meet lots of applications. the typical circuit shown in [Figure 3-1](#). The circuit is quite simple and straightforward.



**Figure 3-1. Current Sensing for Negative Power Supply Based Hall Current Sensor**

The function between input current and output voltage as formula 1 shows. Here,  $V_o$  is output voltage of hall current sensor,  $I_L$  is load current, and  $G$  is gain of hall current sensor.

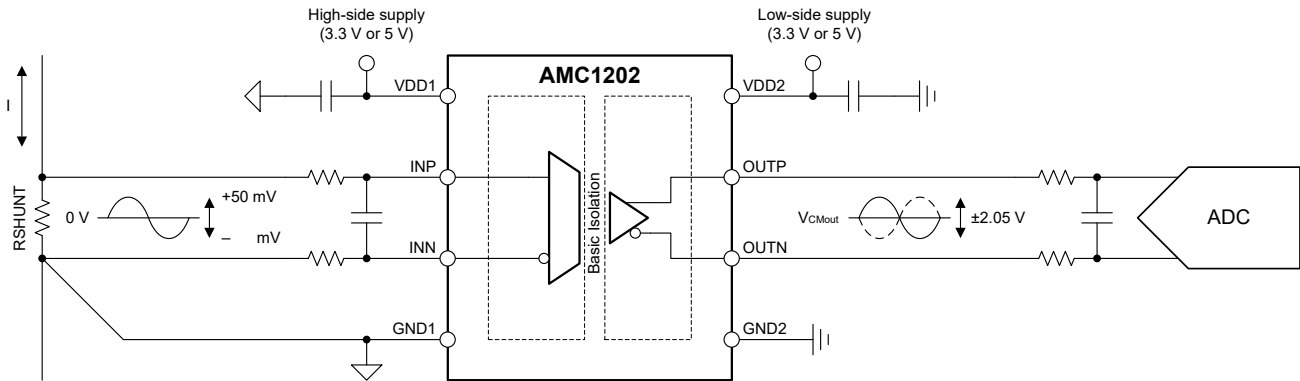
$$V_o = G \times I_L \quad (1)$$

One drawback for hall current sensor is that there is error of input offset current. This can potentially introduce some errors in some conditions especially the input current less than 100mA.

### 3.2 Current Sensing Based Isolated Amplifier

The second design to measure a current for negative power supply is to use an isolated amplifier. [Figure 3-2](#) shows a typical circuit. TI had released lots of isolated amplifier to meet market requirements to sense voltage or current. [AMC1202](#) is an isolated amplifier for current sensing with  $\pm 50\text{mV}$  input range and 1000V working isolated voltage. The isolation barrier separates parts of the system that operate on different common-mode

voltage levels and protects the low-voltage side from hazardous voltages and damage. With this character, the designer can measure the sensing resistor on the high common voltage rails.



**Figure 3-2. Current Sensing for Negative Power Supply Based Isolated Amplifier**

The gain of AMC1202 is 41. Assume the sense resistor is  $R_s$ , output voltage of AMC1202 is  $V_o$ . Then, the current of negative power supply is:

$$I_L = \frac{V_o}{41 \times R_s} \quad (2)$$

An isolated power supply is necessary for power high side circuit of AMC1202. TI has several isolated power supply with compact size that can meet this application. Among these modules, [UCC12040](#) is one of the parts with good performance, small size, and low cost.

### 3.3 Current Sensing Based Isolated ADC

The third design is based isolated ADC, reference [Figure 3-3](#). TI had released several isolated ADC to meet market requirements for measure high voltage or current with high common voltage safely. [AMC131M01](#) is one of the parts as an excellent choice to meet current sensing for negative power supply. The benefits of AMC131M01 is that it integrated an isolated power supply and then simple the design, cost down and reducing total PCB area. Customers do not need to ever add another isolated power supply. The AMC131M01 also features an integrated programmable gain amplifier (PGA) that provides gains of 1, 2, 4, 8, 16, 32, 64, and 128. The internal reference voltage is 1.2V. Assume ADC result is  $D$ , gain of PGA is  $G$ , sensing resistor is  $R$ . Then the load current  $I$  is:

$$I_L = \frac{D \times 1.2}{16666216 \times G \times R_{Shunt}} \quad (3)$$

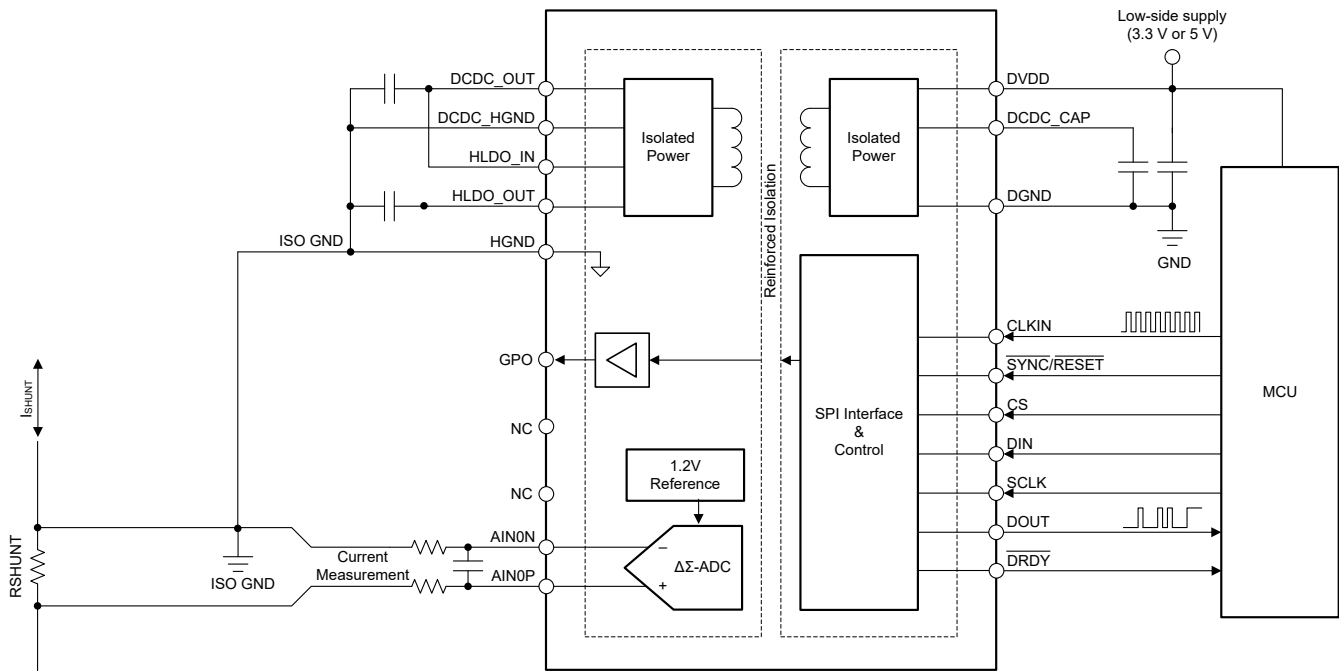


Figure 3-3. Current Sensing for Negative Power Supply Based Isolated ADC

### 3.4 Negative Power Supply Current Sensing Based Current Sensing Amplifier

For sensing current of a negative power supply, the designers potential first considers a current sensing amplifier since these parts were widely used for current sensing with excellent performance, compact package, low cost, and sourcing easy. However, there almost has no current sensing amplifier that can endure common input voltage less than -22V in market for current sensing amplifier. How an the designer make a normal current sensing amplifier work for a negative power supply? Figure 3-4 shows how a general current sensing amplifier was used for monitor current for a negative power supply.

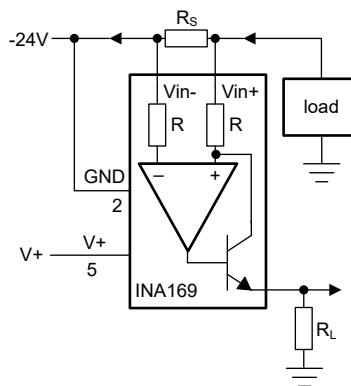


Figure 3-4. Current Sensing for Negative Power Supply Based Current Sensing Amplifier

With connect GND pin of current sensing amplifier to negative power supply, the designer makes the common input voltage meet specification of current sense amplifier. the output voltage is positive since the chip was supply by a positive power supply and output is a current source. Any current sense amplifier can be used for monitoring current of negative power supply if the amplifier meets the following conditions.

1. The output is a current source. This condition keeps the output voltage is positive.
2. The chip's power supply range needs to be larger than difference between positive power supply for chip and negative power supply for load.

Assume sensing resistor is  $R_s$ , load resistor of current sensing amplifier is  $R_L$ , Output voltage is  $V_o$  and input resistor of internal resistor is  $R$ , Then the output voltage for monitor current as shown in Equation 4.

$$V_o = \frac{I_s \times R_s \times R_L}{R} \quad (4)$$

## 4 Summary

This application note introduced four methods to monitor load current for a negative power supply. Every method has benefits. In an actual application, the designer can select any method for a specific application under constraint of performance, safety, PCB area, cost, and so on. [Table 4-1](#) shows the different design features for designer reference and they can then select the best design for a specific application.

**Table 4-1. Comparison Table Between Four Current Sensing Methods**

| Item                 | Hall Sensor              | Isolated amplifier          | Isolated ADC                | INA169                   |
|----------------------|--------------------------|-----------------------------|-----------------------------|--------------------------|
| Precision            | Good                     | Better                      | Best                        | Better                   |
| Common voltage range | 70 to approximately 400V | 800V to approximately 2000V | 500V to approximately 1500V | 2.7 to approximately 60V |
| Design difficulty    | Easy                     | Middle                      | Middle                      | Middle                   |
| Package              | Middle                   | Large                       | Largest                     | Smallest                 |
| Cost                 | Low                      | High Cost                   | Highest Cost                | Lowest                   |

## 5 References

1. Texas Instruments, [An Engineer's Guide to Current Sensing](#),
2. Texas Instruments, [AMC1202 Precision, ±50-mV Input, Basic Isolated Amplifier](#), data sheet.
3. Texas Instruments, [UCC12040 High-Density, Low-EMI, 3-kVRMS Basic Isolation DC/DC Module](#), data sheet.
4. Texas Instruments, [AMC131M01 1-Channel, 64-kSPS, Simultaneous-Sampling, 24-Bit, Reinforced Isolated Delta-Sigma ADC With Integrated DC/DC Converter](#), data sheet.
5. Texas Instruments, [AMC131M01 1-Channel, 64-kSPS, Simultaneous-Sampling, 24-Bit, Reinforced Isolated Delta-Sigma ADC With Integrated DC/DC Converter](#), data sheet.

## IMPORTANT NOTICE AND DISCLAIMER

TI PROVIDES TECHNICAL AND RELIABILITY DATA (INCLUDING DATA SHEETS), DESIGN RESOURCES (INCLUDING REFERENCE DESIGNS), APPLICATION OR OTHER DESIGN ADVICE, WEB TOOLS, SAFETY INFORMATION, AND OTHER RESOURCES "AS IS" AND WITH ALL FAULTS, AND DISCLAIMS ALL WARRANTIES, EXPRESS AND IMPLIED, INCLUDING WITHOUT LIMITATION ANY IMPLIED WARRANTIES OF MERCHANTABILITY, FITNESS FOR A PARTICULAR PURPOSE OR NON-INFRINGEMENT OF THIRD PARTY INTELLECTUAL PROPERTY RIGHTS.

These resources are intended for skilled developers designing with TI products. You are solely responsible for (1) selecting the appropriate TI products for your application, (2) designing, validating and testing your application, and (3) ensuring your application meets applicable standards, and any other safety, security, regulatory or other requirements.

These resources are subject to change without notice. TI grants you permission to use these resources only for development of an application that uses the TI products described in the resource. Other reproduction and display of these resources is prohibited. No license is granted to any other TI intellectual property right or to any third party intellectual property right. TI disclaims responsibility for, and you will fully indemnify TI and its representatives against, any claims, damages, costs, losses, and liabilities arising out of your use of these resources.

TI's products are provided subject to [TI's Terms of Sale](#) or other applicable terms available either on [ti.com](https://www.ti.com) or provided in conjunction with such TI products. TI's provision of these resources does not expand or otherwise alter TI's applicable warranties or warranty disclaimers for TI products.

TI objects to and rejects any additional or different terms you may have proposed.

Mailing Address: Texas Instruments, Post Office Box 655303, Dallas, Texas 75265  
Copyright © 2024, Texas Instruments Incorporated