

# How to Make a Simple Nonmagnetic AC/DC Power Supply

Mark Sellers

## ABSTRACT

This application report demonstrates a simple solution to creating a nonmagnetic DC voltage from an AC supply source. This solution uses the [TPS7A78](#) device which helps to improve the overall efficiency and standby-power in power-supplies compared to the standard cap-drop solution.

## Contents

1	Introduction .....	1
2	Description .....	2
3	Conclusion .....	3

## List of Figures

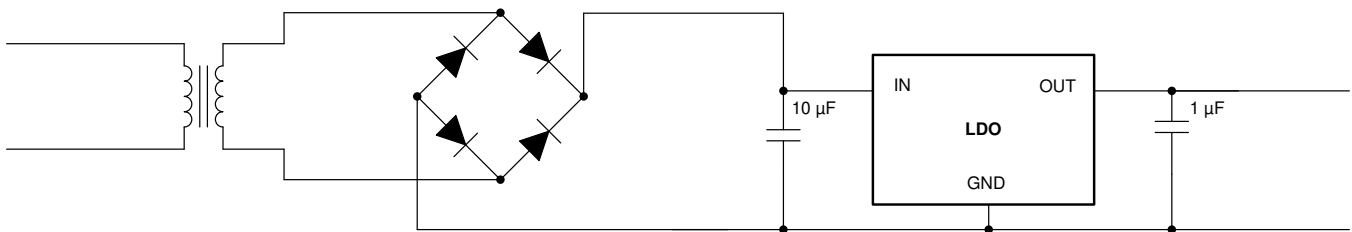
1	Simplified AC to DC Conversion Using a Transformer and Low-Dropout (LDO) Linear Regulator .....	1
2	Basic Capacitive Dropper Circuit With an LDO for 110 V <sub>AC</sub> , 5 V <sub>DC</sub> and 30 mA .....	2
3	Typical Cap-Drop Solution Using <a href="#">TPS7A78</a> .....	2

## Trademarks

All trademarks are the property of their respective owners.

## 1 Introduction

When creating an industrial power supply, one of the most common challenges is transforming the AC voltage supply into a DC voltage supply. Changing an AC voltage to a DC voltage is necessary for nearly every application, from charging cellphones to powering a micro-controller for a microwave. Typically, this conversion occurs through the use of a transformer and a rectifier, as shown in [Figure 1](#). In this circuit, the voltage is stepped down through the transformer by a factor of the turns ratio on the primary and secondary sides of the transformer.



**Figure 1. Simplified AC to DC Conversion Using a Transformer and Low-Dropout (LDO) Linear Regulator**

There are several drawbacks to a magnetic solution. As you probably know, a transformer works by converting magnetic flux into an electrical current. As a result of this conversion, the transformer produces a lot of electromagnetic interference (EMI). The transformer also has a very noisy output voltage and needs a large capacitance to filter out that noise. For low-power applications, a more simple and cost-effective approach can be used that eliminates the magnetic components. Much like how two resistors create a voltage divider, you can use a capacitor to create an AC impedance (reactance) that will drop the voltage before it reaches the power supply. This configuration is commonly referred to as a capacitive-drop solution.

## 2 Description

A basic capacitor-drop solution will require a Zener diode to sink the required current for the application when the load is not on. This Zener diode is necessary so that the input voltage of the LDO linear regulator does not exceed the absolute maximum rating. One of the drawbacks of the capacitive-dropper topology is that it is not very efficient, since a lot of the power dissipates as heat on the resistor and LDO. Even when the LDO is not regulating, efficiency is still poor due to the energy dissipated in the Zener diode.

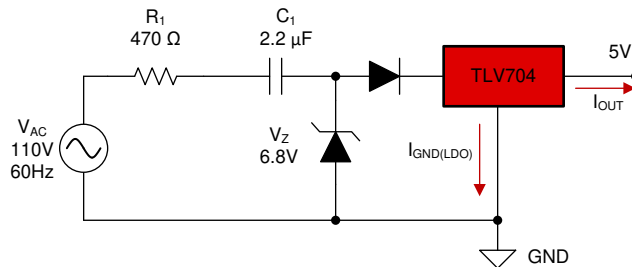


Figure 2. Basic Capacitive Dropper Circuit With an LDO for 110 V<sub>AC</sub>, 5 V<sub>DC</sub> and 30 mA

To improve the efficiency of this system, optimize three main components: the surge resistor, the Zener diode, and the dropout of the LDO. Equation 1 shows how to calculate the efficiency of the basic capacitive drop solution shown in Figure 2.

$$\text{Efficiency} = \frac{P_{\text{OUT}}}{P_{\text{IN}}} = \frac{(V_{\text{OUT}} \times I_{\text{OUT}})}{(\sqrt{2}V_{\text{AC}} \times 2 \pi f C_1)^2 (R_1 + RC_1)} \quad (1)$$

Because the cap-drop solution is such a common power-supply configuration in industrial applications such as e-metering and factory automation, TI has developed a component focused around optimizing the efficiency and solution size of a capacitive-dropper architecture. The TPS7A78 device integrates many of the discrete components required to implement a capacitive-dropper circuit, like the active bridge rectifier. Being designed to specifically operate using a capacitive-drop circuit, the TPS7A78 can integrate several features that improve overall system efficiency. For example, it incorporates a switch capacitor stage that reduces the input voltage by a factor of four, thus reducing the input current by the same ratio and facilitating the use of a smaller capacitive-drop capacitor. This feature enables a smaller solution size, lowers system cost, and reduces standby power.

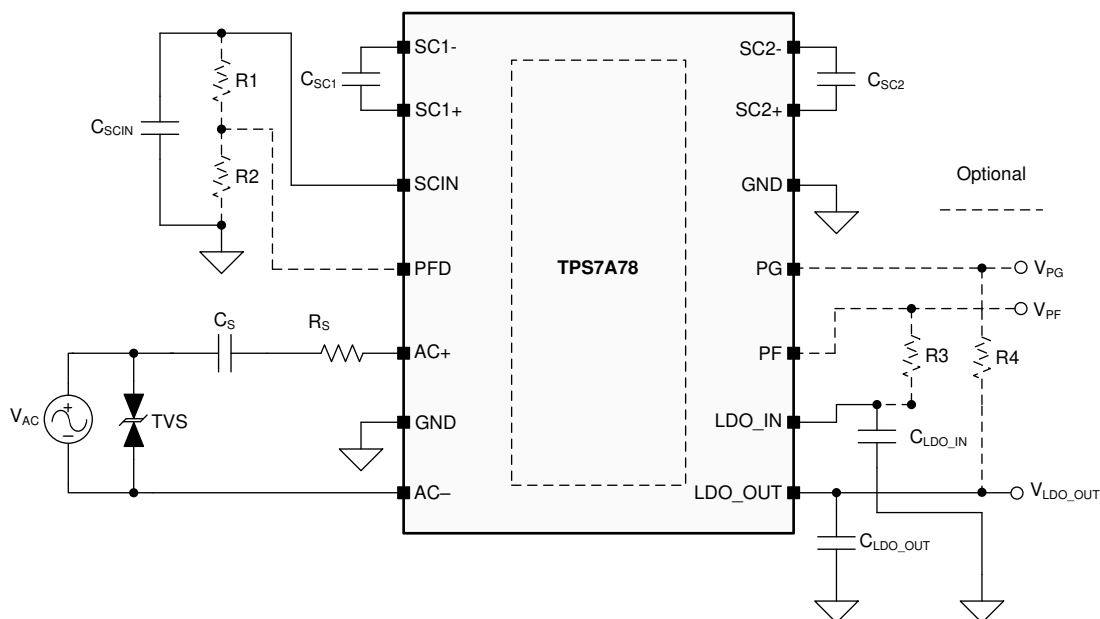


Figure 3. Typical Cap-Drop Solution Using TPS7A78

### 3 Conclusion

To understand how much better the efficiency can be using the [TPS7A78](#) device over a cap-drop stage and linear regulator, compare the traditional solution shown in [Figure 2](#) with the [TPS7A78](#) solution shown in [Figure 3](#). In the traditional cap-drop solution using a linear regulator, the system has an efficiency of 11%. The [TPS7A78](#) when configured to power the same load is able to achieve an efficiency of > 40% due to the reduced input current from the switch capacitor and the need for a smaller surge resistor.

## IMPORTANT NOTICE AND DISCLAIMER

TI PROVIDES TECHNICAL AND RELIABILITY DATA (INCLUDING DATASHEETS), DESIGN RESOURCES (INCLUDING REFERENCE DESIGNS), APPLICATION OR OTHER DESIGN ADVICE, WEB TOOLS, SAFETY INFORMATION, AND OTHER RESOURCES "AS IS" AND WITH ALL FAULTS, AND DISCLAIMS ALL WARRANTIES, EXPRESS AND IMPLIED, INCLUDING WITHOUT LIMITATION ANY IMPLIED WARRANTIES OF MERCHANTABILITY, FITNESS FOR A PARTICULAR PURPOSE OR NON-INFRINGEMENT OF THIRD PARTY INTELLECTUAL PROPERTY RIGHTS.

These resources are intended for skilled developers designing with TI products. You are solely responsible for (1) selecting the appropriate TI products for your application, (2) designing, validating and testing your application, and (3) ensuring your application meets applicable standards, and any other safety, security, or other requirements. These resources are subject to change without notice. TI grants you permission to use these resources only for development of an application that uses the TI products described in the resource. Other reproduction and display of these resources is prohibited. No license is granted to any other TI intellectual property right or to any third party intellectual property right. TI disclaims responsibility for, and you will fully indemnify TI and its representatives against, any claims, damages, costs, losses, and liabilities arising out of your use of these resources.

TI's products are provided subject to TI's Terms of Sale ([www.ti.com/legal/termsofsale.html](http://www.ti.com/legal/termsofsale.html)) or other applicable terms available either on [ti.com](http://ti.com) or provided in conjunction with such TI products. TI's provision of these resources does not expand or otherwise alter TI's applicable warranties or warranty disclaimers for TI products.

Mailing Address: Texas Instruments, Post Office Box 655303, Dallas, Texas 75265  
Copyright © 2020, Texas Instruments Incorporated