

Choosing the Right Multiplexer for a Discrete Programmable Gain Amplifier (PGA)



Introductions

A programmable gain amplifier (PGA) is an electronic amplifier whose gain is controlled by a digital or analog signal. PGAs combine two fundamental building blocks of electronics: multiplexers and amplifiers. The most common use cases for PGAs range from data acquisition systems to motor drives. Typically, PGAs are most useful when an input sensor signal needs to vary across different gain values to then be amplified to carry the signal into the next system component. A multiplexer allows for this switching between the different gain values thereby changing the level of amplifications. This document discusses why a multiplexer is used in a PGA, along with the two critical parameters to account for when choosing the right multiplexer for your PGA: on-capacitance (C_{ON}) and on-resistance (R_{ON}).

To achieve different gain values, the feedback resistor (R_f) value, see [Figure 1](#), must vary in accordance with the gain needed, as stipulated by [Equation 1](#) of an non-inverting operational amplifier.

$$\text{Gain} = 1 + \frac{R_f}{R_{in}} \quad (1)$$

This variation can be achieved using a multiplexer. A multiplexer allows for the system designers to switch between different R_f values thereby allowing for multiple gain possibilities. Multiplexers are great cost-effective solutions to use inside PGAs because they come in a variety of configurations while giving the system designer the flexibility in the gain that needs to be achieved.

Why Select a Multiplexer?

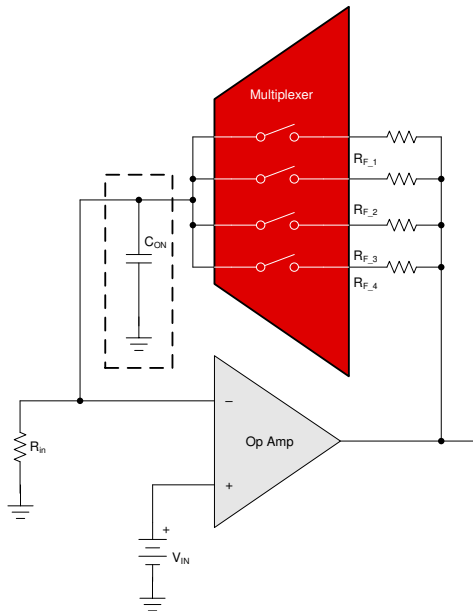


Figure 1. Circuit Model of Basic Discrete PGA

Low On-Capacitance

Stability issues can arise from the parasitic on-capacitance interaction with the feedback resistor of the op amp, as [Figure 1](#) shows. The on-capacitance of the multiplexer can cause oscillations in the output signal of the multiplexer, which can negatively impact the integrity of the amplified signal. Therefore, choosing a multiplexer with a low C_{ON} , such as the [TMUX1511](#), can help minimize signal distortion and improve the quality and accuracy of the outputted amplifier signal.

For example, a single channel of a 1:1 switch typically has 40 pF of capacitance. Therefore, when all four channels are conducting, the total C_{ON} of the feedback path could be 160 pF. However, using a low C_{ON} multiplexer, such as the [TMUX1511](#), with 2.5 pF of C_{ON} leads to a total feedback capacitance of only 10 pF with all four channels conducting. This significantly lower feedback capacitance ensures that signal oscillations are minimal and the overall impact on the amplified signal is minimal, as [Figure 2](#) illustrates. For more information, see the [Improve Stability Issues with Low \$C_{ON}\$ Multiplexers Application Brief](#).

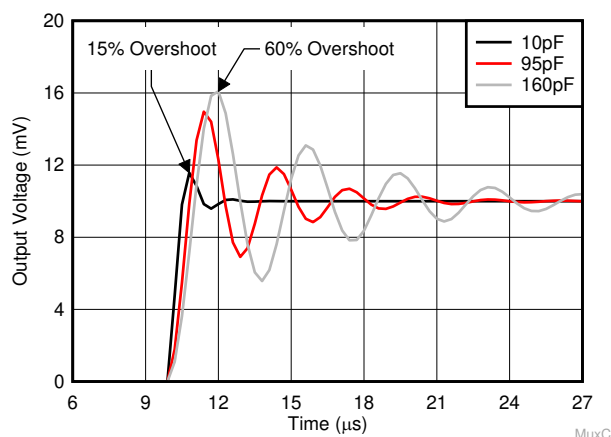


Figure 2. Op Amp Instability

Low On-Resistance

The on-resistance of a multiplexer should be as low as possible to maximize signal integrity through amplification. The higher the R_{ON} and the wider the R_{ON} flatness range, the more distortion the output signal has due to a higher gain error. The gain error of a multiplexer increases as the R_{ON} of the multiplexer increases. For example, the gain error for the circuit in [Figure 1](#) can be calculated using [Equation 2](#).

$$G_{\text{error}} = \frac{R_{ON}}{R_{in} + R_f} \times 100 \quad (2)$$

This gain error calculation assumes a non-inverting circuit and does not account for all other attributes that affect gain error, as it is fundamentally focused on R_{ON} . The gain error, as [Table 1](#) shows, increases from 0.18% to 10.90% as R_{ON} increases from 2 Ω to 120 Ω . Additionally, since R_f is in series with R_{ON} , the effects of the changing values of R_{ON} are linear,

Additional Resources

- Texas Instruments, [TI Precision Labs - Switches and Multiplexers: On-Resistance Flatness and On-Capacitance](#)
- Texas Instruments, [TI Precision Labs - Op Amps: Stability](#)
- Texas Instruments, [Improve Stability Issues with Low \$C_{ON}\$ Multiplexers Application Brief](#)

compared to the gain. Finally, in computing the gain error in [Table 1-1](#), an enabled signal path and values of $R_{IN} = 100 \Omega$ and $R_f = 1 \text{ k}\Omega$ are assumed.

On-Resistance vs On-Capacitance

There is typically a tradeoff between low R_{ON} values versus low C_{ON} values. To achieve a low R_{ON} , the size of the multiplexer die needs to be wider, so that the current can travel through with minimal interruption. However, as the die size increases, so does the on-capacitance. Low on-capacitance is the result of a smaller distance from source to drain on the multiplexer. Therefore, the system designer must ensure that the optimal multiplexer is chosen for the design taking into account the effects of C_{ON} vs R_{ON} on the system. The aforementioned [TMUX1511](#) is an example of a multiplexer that has low R_{ON} (2 Ω) and low C_{ON} (3.3 pF).

Summary

This document discusses why a multiplexer is used in a PGA along with the two critical multiplexer parameters: on-capacitance and on-resistance. Multiplexers are used to switch between different R_f values, which in turn, allows for different gain values for the same op amp. In selecting the right multiplexer, the two critical parameters to watch for are on-capacitance and on-resistance. The lower the on-capacitance, the lower the signal oscillation and distortion, and the more accurate the output signal. Low on-resistance provides a lower gain error and therefore a more accurate signal. Lastly, the system designer must ensure that the optimal multiplexer is chosen for the design taking into account the effects of C_{ON} vs R_{ON} on the system.

Table 1-1. Gain Error Comparison and Device Comparison

Device	Configuration	Channel Count	R_{ON}	C_{ON}	Gain Error
TMUX1511	1:1	4	2 Ω	3.3 pF	0.18 %
TMUX1108	8:1	1	2.5 Ω	65 pF	0.23 %
TMUX6112	1:1	4	120 Ω	4.2 pF	10.90 %

IMPORTANT NOTICE AND DISCLAIMER

TI PROVIDES TECHNICAL AND RELIABILITY DATA (INCLUDING DATASHEETS), DESIGN RESOURCES (INCLUDING REFERENCE DESIGNS), APPLICATION OR OTHER DESIGN ADVICE, WEB TOOLS, SAFETY INFORMATION, AND OTHER RESOURCES "AS IS" AND WITH ALL FAULTS, AND DISCLAIMS ALL WARRANTIES, EXPRESS AND IMPLIED, INCLUDING WITHOUT LIMITATION ANY IMPLIED WARRANTIES OF MERCHANTABILITY, FITNESS FOR A PARTICULAR PURPOSE OR NON-INFRINGEMENT OF THIRD PARTY INTELLECTUAL PROPERTY RIGHTS.

These resources are intended for skilled developers designing with TI products. You are solely responsible for (1) selecting the appropriate TI products for your application, (2) designing, validating and testing your application, and (3) ensuring your application meets applicable standards, and any other safety, security, or other requirements. These resources are subject to change without notice. TI grants you permission to use these resources only for development of an application that uses the TI products described in the resource. Other reproduction and display of these resources is prohibited. No license is granted to any other TI intellectual property right or to any third party intellectual property right. TI disclaims responsibility for, and you will fully indemnify TI and its representatives against, any claims, damages, costs, losses, and liabilities arising out of your use of these resources.

TI's products are provided subject to TI's Terms of Sale (www.ti.com/legal/termsofsale.html) or other applicable terms available either on ti.com or provided in conjunction with such TI products. TI's provision of these resources does not expand or otherwise alter TI's applicable warranties or warranty disclaimers for TI products.

Mailing Address: Texas Instruments, Post Office Box 655303, Dallas, Texas 75265
Copyright © 2020, Texas Instruments Incorporated