

Expanding Functionality of Cell Supervision Unit in Battery Management Systems



Chris Murphy

Introduction

Battery management systems (BMS) can benefit from additional general-purpose input and output (GPIO) pins on their cell supervision unit (CSU) for the use of monitoring lithium-ion batteries. Lithium-ion batteries, especially in electric vehicles, require the current, voltage, and temperature of the battery cells monitored for the health and safety of the system. In addition to monitoring the battery cells' parameters, the CSU can also use electrically erasable programmable read-only memory (EEPROMs) to store information when the system is off. The information could include system parameters, battery health information, serial numbers, and maintenance records. Unfortunately, monitoring all the data from the battery cells requires a significant amount of the CSU's GPIOs, which prevents the CSU from using an EEPROM or monitoring more battery cells. However, a multiplexer can be used to increase the system functionality without needing to upgrade to a larger CSU. The **BQ79616-Q1**, a popular BMS CSU, can use the **TMUX1308-Q1** 8:1 multiplexer to increase its 8 GPIO to 12 GPIO (the configuration is shown in [Figure 1](#)).

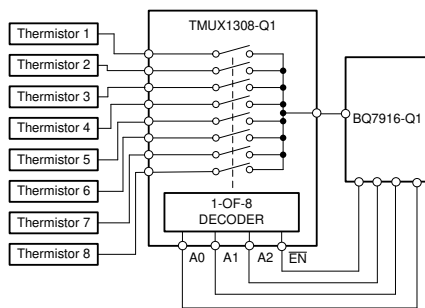


Figure 1. TMUX1308 Multiplexers Expanding BQ79616 GPIO in a Battery Management System

[Figure 1](#) illustrates the **TMUX1308-Q1** expanding the **BQ79616-Q1**'s GPIOs to monitor multiple temperature sensors. The diagram shows using only three GPIOs to control the multiplexer and one GPIO to receive information from the thermistors, eight thermistors are being monitored with only four GPIO.

Signal Chain Performance Impact

When incorporating an additional component such as a multiplexer in the path between the thermistor and CSU, there can often be concerns on how this could impact the overall functionality and performance of the application. The **TMUX1308-Q1** (and any other multiplexer) will add resistance and leakage current to the path, but the impact is very minimal, if not undetectable. Normally for this type of application, the thermistor is connected to a high impedance input which will make any series resistance essentially invisible to the signal path since the **TMUX1308-Q1** will only be 1700 Ω at most. Leakage is the second concern when implementing a multiplexer, however, is also negligible and shown in [Figure 2](#).

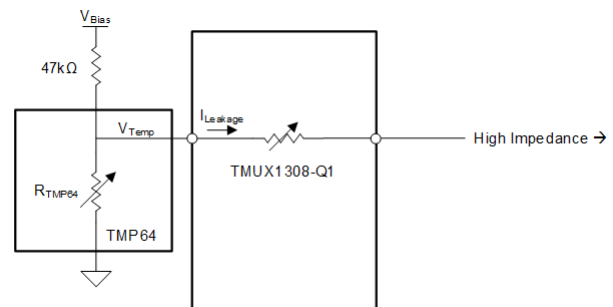


Figure 2. TMUX1308-Q1 in Conjunction with TMP64

Take the above component diagram using the **TMP64** and **TMUX1308-Q1** in conjunction. With V_{Bias} set to be 5.5 V and the ambient temperature to be 25C, R_{TMP64} will be approximately 47 k Ω , thus creating a voltage divider where V_{Temp} is equivalent to 2.75 V. Now, taking into consideration the typical leakage current of the **TMUX1308-Q1** at 25 C is 1nA and an R_{ON} around 230 Ω , this would induce a negligible 230 nV voltage drop (0.0000086% error). However, as the temperature increases to 125 C, R_{TMP64} is now approximately 80k Ω with a V_{Temp} voltage around 3.45 V. At this temperature and voltage, the R_{ON} of the device is now closer to 370 Ω with a maximum leakage current of 800 nA. This leads to a voltage drop of 296 μ V and a resulting error of 0.00857%.

Overall, it is valid to assume there could be impacts to the signal chain when implementing new components or devices, however the TMUX1308-Q1 is shown to have extremely minimal impact while adding desirable functionality to this application.

Adding EEPROM to Battery Monitor

Battery management systems may improve their battery health and safety by storing critical information in an EEPROM. For example, an EEPROM can store configurations and record the health history of the system. Figure 3 shows an EEPROM used in conjunction with the BQ79616-Q1 that is able to monitor eight thermistors using an 8:1 multiplexer.

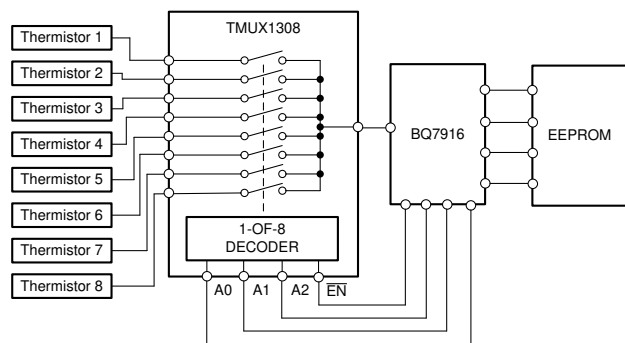


Figure 3. BQ79616-Q1 in the Whole System Block Diagram

Typically, an EEPROM interfaces the system using a Serial Peripheral Interface (SPI) consisting of two data lanes, one clock, and a chip select. If the EEPROM were to be connected to the CSU through a multiplexer as in Figure 4, a multiplexer selected needs to have a low on-capacitance (C_{ON}) to ensure no issue with the SPI data and clock signals.

For example, the SN3257-Q1, a four channel two to one multiplexer, can efficiently and accurately connect an EEPROM and thermistors to a CSU because the SN3257-Q1 has low C_{ON} (8 pF) and a low R_{ON} (2 Ω). Figure 4 illustrates the alternative layout for the BMS using the SN3257-Q1 to connect both the thermistor and EEPROM to the BQ79616-Q1.

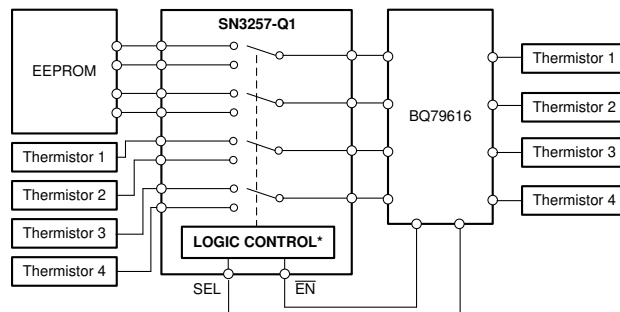


Figure 4. SN3257-Q1 in Conjunction with the BQ79616 and EEPROM

Summary

Adding an 8:1 or 4-channel 2:1 multiplexer is an effective way to increase the functionality of a battery management system. The multiplexer can increase CSU's ability to monitor more thermistors or free up additional GPIO that could be used to attach an EEPROM. If the application handles analog signals, such as using a thermistor, having a low multiplexer's R_{ON} helps with accurate readings. If the multiplexer is being used for digital signals, such as with EEPROMS, then having a multiplexer with low C_{ON} helps prevent distortion of the rising and falling edges.

Table 1. Device Table

| Device | Description |
|-------------|---|
| TMUX1308-Q1 | Automotive 5-V, 8:1, 1-channel multiplexer with injection current control and 1.8-V logic |
| SN3257-Q1 | Automotive 5-V, 2:1 (SPDT), 4-channel switch with 1.8-V logic and powered-off protection |
| BQ79616-Q1 | 16-S automotive precision battery monitor, balancer and integrated protector with ASIL-D compliance |
| TMP64 | $\pm 1\%$ tolerance 47k Ω linear thermistor available in a 0402-package option |

IMPORTANT NOTICE AND DISCLAIMER

TI PROVIDES TECHNICAL AND RELIABILITY DATA (INCLUDING DATASHEETS), DESIGN RESOURCES (INCLUDING REFERENCE DESIGNS), APPLICATION OR OTHER DESIGN ADVICE, WEB TOOLS, SAFETY INFORMATION, AND OTHER RESOURCES "AS IS" AND WITH ALL FAULTS, AND DISCLAIMS ALL WARRANTIES, EXPRESS AND IMPLIED, INCLUDING WITHOUT LIMITATION ANY IMPLIED WARRANTIES OF MERCHANTABILITY, FITNESS FOR A PARTICULAR PURPOSE OR NON-INFRINGEMENT OF THIRD PARTY INTELLECTUAL PROPERTY RIGHTS.

These resources are intended for skilled developers designing with TI products. You are solely responsible for (1) selecting the appropriate TI products for your application, (2) designing, validating and testing your application, and (3) ensuring your application meets applicable standards, and any other safety, security, or other requirements. These resources are subject to change without notice. TI grants you permission to use these resources only for development of an application that uses the TI products described in the resource. Other reproduction and display of these resources is prohibited. No license is granted to any other TI intellectual property right or to any third party intellectual property right. TI disclaims responsibility for, and you will fully indemnify TI and its representatives against, any claims, damages, costs, losses, and liabilities arising out of your use of these resources.

TI's products are provided subject to TI's Terms of Sale (<https://www.ti.com/legal/termsofsale.html>) or other applicable terms available either on [ti.com](https://www.ti.com) or provided in conjunction with such TI products. TI's provision of these resources does not expand or otherwise alter TI's applicable warranties or warranty disclaimers for TI products.

Mailing Address: Texas Instruments, Post Office Box 655303, Dallas, Texas 75265
Copyright © 2021, Texas Instruments Incorporated