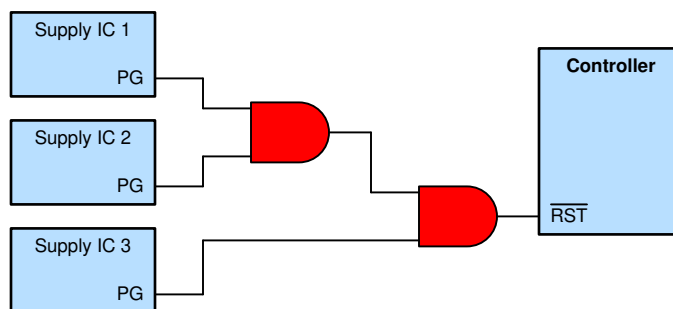


Combine Power Good Signals



Power supply IC (LDOs, converters, PMICs) power-good outputs often have weak open-drain drivers. This fact combined with the common practice of physically separating a supply from the the digital and analog processing subsystems can result in very long traces. Long traces result in large parasitic capacitances and can negatively affect signal integrity. By adding a strong push-pull CMOS driver, the signal is improved. At the same time, signals can be combined through simple logic to reduce the number of inputs required.



See more about this use case in the *Logic Minute* video [Combining Power Good Signals](#).

Design Considerations

- Open-drain outputs require pullup resistors
- Keep traces to the logic gate inputs relatively short to reduce capacitive loading and improve performance
- High-drive balanced CMOS output logic improves signal integrity while reducing the number of inputs required
- [\[FAQ\] How does a slow or floating input affect a CMOS device?](#)
- [\[FAQ\] Where do I find maximum power dissipation for a device?](#)
- Ask a question on our [Engineer-to-Engineer forum](#)

Recommended Parts

Part Number	AEC-Q100	V _{CC} Range	Channels	Features
SN74LVC1G08		1.65 V — 5.5 V	1	High Drive Strength - 32 mA
SN74LVC1G08-Q1	✓			
SN74AUP1G08		0.8 V — 3.6 V	1	Low power - I _{cc} < 0.9 μA
SN74AUP1G08-Q1	✓			
SN74HCS08		2 V — 6 V	4	Schmitt-trigger inputs
SN74HCS08-Q1	✓			

For more devices, browse through the [online parametric tool](#) where you can sort by desired voltage, channel numbers, and other features.

IMPORTANT NOTICE AND DISCLAIMER

TI PROVIDES TECHNICAL AND RELIABILITY DATA (INCLUDING DATASHEETS), DESIGN RESOURCES (INCLUDING REFERENCE DESIGNS), APPLICATION OR OTHER DESIGN ADVICE, WEB TOOLS, SAFETY INFORMATION, AND OTHER RESOURCES "AS IS" AND WITH ALL FAULTS, AND DISCLAIMS ALL WARRANTIES, EXPRESS AND IMPLIED, INCLUDING WITHOUT LIMITATION ANY IMPLIED WARRANTIES OF MERCHANTABILITY, FITNESS FOR A PARTICULAR PURPOSE OR NON-INFRINGEMENT OF THIRD PARTY INTELLECTUAL PROPERTY RIGHTS.

These resources are intended for skilled developers designing with TI products. You are solely responsible for (1) selecting the appropriate TI products for your application, (2) designing, validating and testing your application, and (3) ensuring your application meets applicable standards, and any other safety, security, or other requirements. These resources are subject to change without notice. TI grants you permission to use these resources only for development of an application that uses the TI products described in the resource. Other reproduction and display of these resources is prohibited. No license is granted to any other TI intellectual property right or to any third party intellectual property right. TI disclaims responsibility for, and you will fully indemnify TI and its representatives against, any claims, damages, costs, losses, and liabilities arising out of your use of these resources.

TI's products are provided subject to TI's Terms of Sale (www.ti.com/legal/termsofsale.html) or other applicable terms available either on ti.com or provided in conjunction with such TI products. TI's provision of these resources does not expand or otherwise alter TI's applicable warranties or warranty disclaimers for TI products.

Mailing Address: Texas Instruments, Post Office Box 655303, Dallas, Texas 75265
Copyright © 2020, Texas Instruments Incorporated