

Interfacing MSP430™ MCUs With MMC or SD Flash Memory Cards

MSP430 Applications

ABSTRACT

This application report and the associated source code files demonstrate a serial peripheral interface (SPI) between the [MSP430F1612 microcontroller \(MCU\)](#) and an MMC or SD flash memory card that used in SPI mode. The provided information can be used with any MSP430™ MCU with a hardware SPI interface.

The sample software described in this application report can be downloaded from <http://www.ti.com/lit/zip/slaa281>.

Contents

1	Hardware Description	1
2	Software Description	2
3	Function Description.....	3
	3.1 char mmclnit (void);	3
	3.2 char mmcping(void);	3
	3.3 void mmcSendCmd (const char cmd, unsigned long data, const char crc);	3
	3.4 char mmcGoldle();	3
	3.5 char mmcSetBlockLength (const unsigned long);	3
	3.6 char mmcReadBlock(const unsigned long address, const unsigned long count, unsigned char *pBuffer);	3
	3.7 char mmcWriteBlock (const unsigned long address, const unsigned long count, unsigned char *pBuffer);	4
	3.8 char mmcReadRegister (const char cmd_register, const unsigned char length, unsigned char *pBuffer);	4
	3.9 unsigned long mmcReadCardSize(void);	4
4	References	4

Trademarks

MSP430 is a trademark of Texas Instruments.
All other trademarks are the property of their respective owners.

1 Hardware Description

The MSP430F1612 communicates with the MMC or SD card through the SPI interface. SPI is a fast and efficient protocol that allows for simultaneous bidirectional data transfer. Serial data is transmitted and received by the MSP430 MCU using the USART module in SPI mode. [Figure 1](#) shows the hardware interconnection for the master-slave configuration operating on a single supply voltage.

The associated MSP430F1612 pins P5.3 and P5.4 are configured as GPIO to control the chip-select pin and read the memory card detect signal. The USART1 hardware peripheral of the MSP430F1612 is configured in the 3-pin SPI mode. Pins P5.1, P5.2, and P5.3 of the MSP430 MCU provide the SIMO1, SOMI1, and UCLK1 interface to the MMC card.

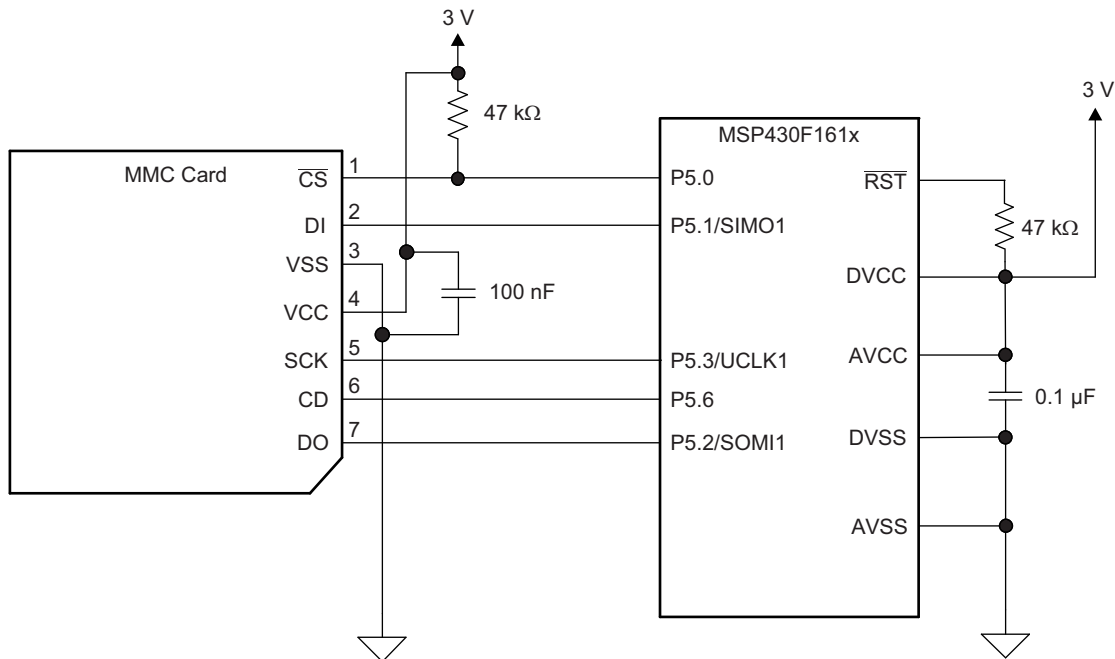


Figure 1. Connection Between MSP430 MCU and MMC Card

2 Software Description

The code associated with this application report is designed as a driver set for communication between an MSP430 MCU and an MMC card or an SD card through the SPI bus as described in [Section 1](#). The code is written modularly and can be reused easily. Only a subset of the available card commands is used, based on the limitations of the SPI interface and the secure functions of the SD card. This sample code can be downloaded from <http://www.ti.com/lit/zip/sl原因281>.

An example main() function shows the proper use of the driver functions.

1. This function initializes the MSP430F1612 in the 3-pin SPI mode with the function mmclnit().
2. The MCU polls until an MMC card is detected and then tries to read the device memory size.
3. The MCU prepares a buffer with 512 bytes of data and writes it to two different sectors of the card.
4. The MCU reads the data that was written to each memory segment.

Uncomment the following line of code to use the MSP430F1612 DMA module for data transmission between the MCU and the MMC card, which results in higher communication speed and less CPU load.

```
//#define withDMA
```

If you adapt the software to a different USART or a different device in which the USART is connected to other port pins, modify the following functions for the correct settings:

- void initSPI (void)
- char mmclnit (void)
- mmc.h file

3 Function Description

3.1 *char mmclnit (void);*

Initialize the port, SPI, and the MMC card. You might need to adjust this routing if the library to adapt it to another type of MSP430 MCU or to another USART module. Also, some of the control signals can be set to a different port, if necessary.

Parameter:	None	
Return:	Status	Error or success code

3.2 *char mmcping(void);*

Check if MMC card is present.

Parameter:	None	
Return:	Status	Error or success code

3.3 *void mmcSendCmd (const char cmd, unsigned long data, const char crc);*

Send a command to the MMC card.

Parameter:	cmd	Command that should be sent to the MMC card
	data	Data for the command
	crc	Checksum for the command
Return:	None	

3.4 *char mmcGoldle();*

Set the MMC card in idle mode to save current.

Parameter:	None	
Return:	Status	Error or success code

3.5 *char mmcSetBlockLength (const unsigned long);*

Set the MMC block length of count = 2ⁿ byte. Normally this command is not required. The default block length is 512 bytes.

Parameter:	Block Length of count = 2 ⁿ Byte	
Return:	Status	Error or success code

3.6 *char mmcReadBlock(const unsigned long address, const unsigned long count, unsigned char *pBuffer);*

```
#define mmcReadSector(sector, pBuffer) mmcReadBlock(sector × 512, 512, pBuffer)
```

Read a size byte big block beginning at the address.

Parameter:	address	Start address of data to read on the card
	count	Number of bytes to read
	pBuffer	Pointer to read buffer
Return:	Status	Error or success code

3.7 **char mmcWriteBlock (const unsigned long address, const unsigned long count, unsigned char *pBuffer);**

```
#define mmcWriteSector(sector, pBuffer) mmcWriteBlock(sector × 512, 512, pBuffer).
```

Write a 512-byte big block beginning at the (aligned) address

Parameter:	address	Start address of data to write on the card
	count	Number of bytes to write
	pBuffer	Pointer to write buffer
Return:	Status	Error or success code

3.8 **char mmcReadRegister (const char cmd_register, const unsigned char length, unsigned char *pBuffer);**

Read the register *arg1* with length *arg2* (into the buffer).

Parameter:	cmd_register	Register to read
	length	Number of bytes to read
	pBuffer	Pointer to read buffer
Return:	Status	Error or success code

3.9 **unsigned long mmcReadCardSize(void);**

Read the card size from the CSD register.

Parameter:	None
Return:	Detected card size

4 References

1. [MSP430F15x, MSP430F16x, MSP430F161x Mixed-Signal Microcontrollers](#)
2. [MSP430x1xx Family User's Guide](#)
3. *SanDisk MultiMediaCard Product Manual* (SanDisk, 2001)

Revision History

NOTE: Page numbers for previous revisions may differ from page numbers in the current version.

Changes from March 14, 2008 to August 24, 2018

Page

-
- Editorial and format changes throughout document 1
-

IMPORTANT NOTICE FOR TI DESIGN INFORMATION AND RESOURCES

Texas Instruments Incorporated ("TI") technical, application or other design advice, services or information, including, but not limited to, reference designs and materials relating to evaluation modules, (collectively, "TI Resources") are intended to assist designers who are developing applications that incorporate TI products; by downloading, accessing or using any particular TI Resource in any way, you (individually or, if you are acting on behalf of a company, your company) agree to use it solely for this purpose and subject to the terms of this Notice.

TI's provision of TI Resources does not expand or otherwise alter TI's applicable published warranties or warranty disclaimers for TI products, and no additional obligations or liabilities arise from TI providing such TI Resources. TI reserves the right to make corrections, enhancements, improvements and other changes to its TI Resources.

You understand and agree that you remain responsible for using your independent analysis, evaluation and judgment in designing your applications and that you have full and exclusive responsibility to assure the safety of your applications and compliance of your applications (and of all TI products used in or for your applications) with all applicable regulations, laws and other applicable requirements. You represent that, with respect to your applications, you have all the necessary expertise to create and implement safeguards that (1) anticipate dangerous consequences of failures, (2) monitor failures and their consequences, and (3) lessen the likelihood of failures that might cause harm and take appropriate actions. You agree that prior to using or distributing any applications that include TI products, you will thoroughly test such applications and the functionality of such TI products as used in such applications. TI has not conducted any testing other than that specifically described in the published documentation for a particular TI Resource.

You are authorized to use, copy and modify any individual TI Resource only in connection with the development of applications that include the TI product(s) identified in such TI Resource. NO OTHER LICENSE, EXPRESS OR IMPLIED, BY ESTOPPEL OR OTHERWISE TO ANY OTHER TI INTELLECTUAL PROPERTY RIGHT, AND NO LICENSE TO ANY TECHNOLOGY OR INTELLECTUAL PROPERTY RIGHT OF TI OR ANY THIRD PARTY IS GRANTED HEREIN, including but not limited to any patent right, copyright, mask work right, or other intellectual property right relating to any combination, machine, or process in which TI products or services are used. Information regarding or referencing third-party products or services does not constitute a license to use such products or services, or a warranty or endorsement thereof. Use of TI Resources may require a license from a third party under the patents or other intellectual property of the third party, or a license from TI under the patents or other intellectual property of TI.

TI RESOURCES ARE PROVIDED "AS IS" AND WITH ALL FAULTS. TI DISCLAIMS ALL OTHER WARRANTIES OR REPRESENTATIONS, EXPRESS OR IMPLIED, REGARDING TI RESOURCES OR USE THEREOF, INCLUDING BUT NOT LIMITED TO ACCURACY OR COMPLETENESS, TITLE, ANY EPIDEMIC FAILURE WARRANTY AND ANY IMPLIED WARRANTIES OF MERCHANTABILITY, FITNESS FOR A PARTICULAR PURPOSE, AND NON-INFRINGEMENT OF ANY THIRD PARTY INTELLECTUAL PROPERTY RIGHTS.

TI SHALL NOT BE LIABLE FOR AND SHALL NOT DEFEND OR INDEMNIFY YOU AGAINST ANY CLAIM, INCLUDING BUT NOT LIMITED TO ANY INFRINGEMENT CLAIM THAT RELATES TO OR IS BASED ON ANY COMBINATION OF PRODUCTS EVEN IF DESCRIBED IN TI RESOURCES OR OTHERWISE. IN NO EVENT SHALL TI BE LIABLE FOR ANY ACTUAL, DIRECT, SPECIAL, COLLATERAL, INDIRECT, PUNITIVE, INCIDENTAL, CONSEQUENTIAL OR EXEMPLARY DAMAGES IN CONNECTION WITH OR ARISING OUT OF TI RESOURCES OR USE THEREOF, AND REGARDLESS OF WHETHER TI HAS BEEN ADVISED OF THE POSSIBILITY OF SUCH DAMAGES.

You agree to fully indemnify TI and its representatives against any damages, costs, losses, and/or liabilities arising out of your non-compliance with the terms and provisions of this Notice.

This Notice applies to TI Resources. Additional terms apply to the use and purchase of certain types of materials, TI products and services. These include; without limitation, TI's standard terms for semiconductor products (<http://www.ti.com/sc/docs/stdterms.htm>), [evaluation modules](#), and [samples](http://www.ti.com/sc/docs/sampterm.htm) (<http://www.ti.com/sc/docs/sampterm.htm>).

Mailing Address: Texas Instruments, Post Office Box 655303, Dallas, Texas 75265
Copyright © 2018, Texas Instruments Incorporated