

Unipolar voltage output DAC to bipolar voltage output circuit

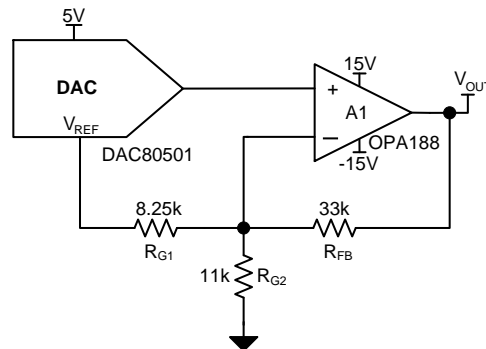
Garrett Satterfield

Design Goals

DAC Supply Voltage	Amplifier Supply Voltage	DAC Voltage	Output Voltage	Error
5V	±15V	0V–2.5V	±10V	<0.25% FSR

Design Description

The unipolar to bipolar output voltage circuit converts the voltage from a unipolar DAC into a bipolar voltage span. The circuit consists of a DAC, op amp, voltage reference, and 3 resistors to set the scale and span of the bipolar output voltage. This circuit is commonly used in [PLC Analog Output Modules](#), [Field Transmitters](#), and other applications requiring a programmable bipolar voltage.



Design Notes

1. Choose a DAC with low gain error, offset error, drift, and INL. A high-voltage op amp with low offset voltage and low offset voltage drift should be used.
2. Use precision 0.1% or better tolerance resistors with low temperature drift.
3. To minimize solution size a DAC with integrated reference may be used.

Design Steps

1. The voltage output based on DAC voltage, reference voltage, and resistors is given by:

$$V_{\text{OUT}} = \left(1 + \frac{R_{\text{FB}}}{R_{\text{G1}}} + \frac{R_{\text{FB}}}{R_{\text{G2}}} \right) V_{\text{DAC}} - \frac{R_{\text{FB}}}{R_{\text{G1}}} V_{\text{REF}}$$

2. Set the DAC voltage to zero to calculate ratio of R_{FB} and R_{G1} to create the desired negative full-scale output. Select standard resistor values to produce this gain.

$$\frac{V_{\text{NegativeFS}}}{V_{\text{REF}}} = \frac{R_{\text{FB}}}{R_{\text{G1}}} = \frac{10\text{V}}{2.5\text{V}} = \frac{33\text{k}\Omega}{8.25\text{k}\Omega}$$

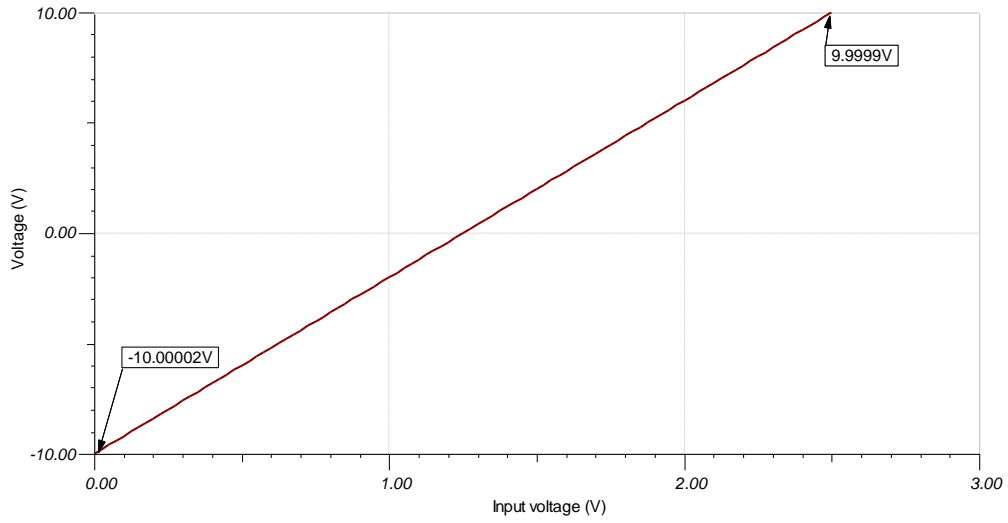
3. Calculate R_{G2} based on the full-scale range required, in this case 20V to produce $\pm 10\text{V}$ range.

$$R_{\text{G2}} = \frac{R_{\text{FB}}}{\frac{V_{\text{FSR}}}{V_{\text{DAC}}} - \frac{R_{\text{FB}}}{R_{\text{G1}}} - 1} = \frac{33\text{k}\Omega}{\frac{20\text{V}}{2.5\text{V}} - \frac{33\text{k}\Omega}{8.25\text{k}\Omega} - 1} = 11\text{k}\Omega$$

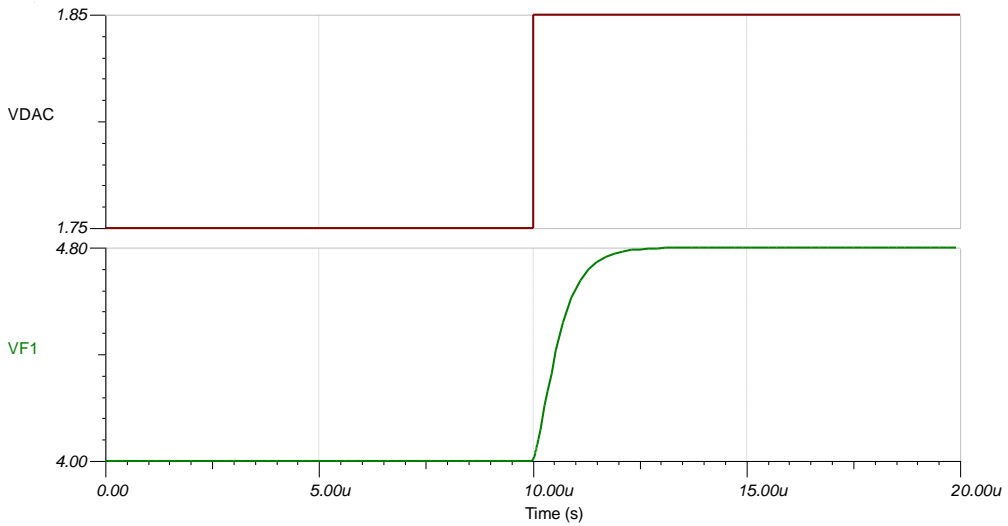
4. The output error can be approximated based on DAC TUE, amplifier offset voltage, resistor tolerance, and reference initial accuracy using root sum square (RSS) analysis.

$$\text{Output TUE}(\% \text{FSR}) = \sqrt{\text{TUE}_{\text{DAC}}^2 + \left(\frac{V_{\text{OS, Amplifier}}}{\text{FSR}} \times 100 \right)^2 + \text{ToI}_{\text{RG1}}^2 + \text{ToI}_{\text{RG2}}^2 + \text{ToI}_{\text{RFB}}^2 + \text{Accuracy}_{\text{Ref}}^2} = \sqrt{0.1^2 + \left(\frac{6\mu\text{V}}{2.5\text{V}} \times 100 \right)^2 + 3 \times 0.1^2 + 0.1^2} = 0.224\% \text{ FSR}$$

DC Transfer Characteristic



Small Signal Step Response



Devices

Device	Key Features	Link	Other Possible Devices
DACs			
DAC8560	16-bit resolution, single channel, internal reference, low power, 4 LSB INL, SPI, 2V to 5.5V supply	http://www.ti.com/product/DAC8560	http://www.ti.com/pdacs
DAC80501	16-bit resolution, 1LSB INL, Single-Channel, Voltage Output DAC with 5ppm Internal Reference	http://www.ti.com/product/DAC80501	http://www.ti.com/pdacs
DAC8830	16-bit resolution, single channel, ultra-low power, unbuffered output, 1 LSB INL, SPI, 2.7V to 5.5V supply	http://www.ti.com/product/DAC8830	http://www.ti.com/pdacs
Amplifiers			
OPA188	Low-Noise, Low Offset Voltage, RRO, Zero-Drift, $\pm 2V$ to $\pm 18V$ supply	http://www.ti.com/product/OPA188	http://www.ti.com/opamps
OPA196	Low-Power, Low Offset Voltage, RRIO, $\pm 2V$ to $\pm 18V$ supply	http://www.ti.com/product/TLV9001	http://www.ti.com/opamps
TLV170	Cost Sensitive, Rail-to-Rail Output, $\pm 1.35V$ to $\pm 18V$ supply	http://www.ti.com/product/OPA317	http://www.ti.com/opamps

Design References

See [Analog Engineer's Circuit Cookbooks](#) for TI's comprehensive circuit library.

Links to Key Files

TI Design TIDP125, [Bipolar \$\pm 10V\$ Output from a Unipolar DAC for Industrial Voltage Drivers](#).

[Source Files for Unipolar Voltage Output DAC to Bipolar Voltage Output](#) – <http://www.ti.com/lit/zip/slac785>.

For direct support from TI Engineers use the E2E community:

e2e.ti.com

Other Links:

[Precision DAC Learning Center](#)

<http://www.ti.com/pdacs>

IMPORTANT NOTICE AND DISCLAIMER

TI PROVIDES TECHNICAL AND RELIABILITY DATA (INCLUDING DATA SHEETS), DESIGN RESOURCES (INCLUDING REFERENCE DESIGNS), APPLICATION OR OTHER DESIGN ADVICE, WEB TOOLS, SAFETY INFORMATION, AND OTHER RESOURCES "AS IS" AND WITH ALL FAULTS, AND DISCLAIMS ALL WARRANTIES, EXPRESS AND IMPLIED, INCLUDING WITHOUT LIMITATION ANY IMPLIED WARRANTIES OF MERCHANTABILITY, FITNESS FOR A PARTICULAR PURPOSE OR NON-INFRINGEMENT OF THIRD PARTY INTELLECTUAL PROPERTY RIGHTS.

These resources are intended for skilled developers designing with TI products. You are solely responsible for (1) selecting the appropriate TI products for your application, (2) designing, validating and testing your application, and (3) ensuring your application meets applicable standards, and any other safety, security, regulatory or other requirements.

These resources are subject to change without notice. TI grants you permission to use these resources only for development of an application that uses the TI products described in the resource. Other reproduction and display of these resources is prohibited. No license is granted to any other TI intellectual property right or to any third party intellectual property right. TI disclaims responsibility for, and you will fully indemnify TI and its representatives against, any claims, damages, costs, losses, and liabilities arising out of your use of these resources.

TI's products are provided subject to [TI's Terms of Sale](#) or other applicable terms available either on ti.com or provided in conjunction with such TI products. TI's provision of these resources does not expand or otherwise alter TI's applicable warranties or warranty disclaimers for TI products.

TI objects to and rejects any additional or different terms you may have proposed.

Mailing Address: Texas Instruments, Post Office Box 655303, Dallas, Texas 75265
Copyright © 2021, Texas Instruments Incorporated