

PGA900 as a Capacitive Load Driver

Miro Oljaca, Tim Green, Collin Wells

Enhanced Industrial and Precision Analog

ABSTRACT

Capacitive load drive is one of the most common causes of operational amplifier stability issues. The load capacitance, C_L , interacts with the open-loop output impedance of the amplifier, Z_O , by adding a single or double pole in the open-loop response. The additional pole or poles degrades the circuit phase margin, resulting in transient overshoot and ringing, ac gain peaking, reduced bandwidth, and possibly full oscillations. Therefore, the design requires phase compensation to stabilize the circuit so it produces an optimal output response. Finding the open-loop output impedance lets the designer select compensation components for occasions when the PGA900 DAC gain output is used as a capacitive load driver.

Contents

1	Introduction	2
2	Selecting Compensation Components	3
3	PGA900 Compensation Components for Different C_L	4
4	Conclusion	7
5	References	7

List of Figures

1	In-Loop Compensation: Circuit for Capacitive Load Drive	2
2	PGA900 Open-Loop Output Impedance Z_O and Capacitors Load Impedance Z_C Over Frequency	3
3	PGA900 Gain Selection Circuit With Capacitive Load Compensation.....	4
4	Small Signal Step Response $G = 2$, $V_{IN} = 50$ mV, $V_{OUT} = 100$ mV	6
5	Small Signal Step Response $G = 4$, $V_{IN} = 50$ mV, $V_{OUT} = 200$ mV	6
6	Small Signal Step Response $G = 6.67$, $V_{IN} = 50$ mV, $V_{OUT} = 333$ mV.....	6
7	Small Signal Step Response $G = 10$, $V_{IN} = 50$ mV, $V_{OUT} = 500$ mV.....	6
8	Large Signal Step Response $G = 2$, $V_{IN} = 1.25$ V, $V_{OUT} = 2.5$ V	6
9	Large Signal Step Response $G = 4$, $V_{IN} = 1.25$ V, $V_{OUT} = 5$ V	6
10	Large Signal Step Response $G = 6.67$, $V_{IN} = 1.2$ V, $V_{OUT} = 8$ V	6
11	Large Signal Step Response $G = 10$, $V_{IN} = 1$ V, $V_{OUT} = 10$ V.....	6

List of Tables

1	PGA900 Decoupling Components for 1-nF Capacitive Load	5
2	PGA900 Decoupling Components for 10-nF Capacitive Load.....	5
3	PGA900 Decoupling Components for 100-nF Capacitive Load	5
4	PGA900 Decoupling Components for 470-nF Capacitive Load	5

1 Introduction

Capacitive load drive is one of the most common causes of operational amplifier stability issues. The load capacitance, C_L , interacts with the open-loop output impedance of the amplifier, Z_O , by adding a single or double pole in the open-loop response. The additional pole or poles degrades the circuit phase margin, resulting in transient overshoot and ringing, ac gain peaking, reduced bandwidth, and possibly full oscillations. Therefore, the design requires phase compensation to stabilize the circuit so it produces an optimal output response.

One way to stabilize an operational amplifier circuit for capacitive load drive is to add a resistor, R_{ISO} , between the amplifier's output and C_L . As this added resistor is outside the feedback path, this method is known as out-of-loop compensation. R_{ISO} acts with C_L and introduces a zero into the transfer function to cancel the phase shift from the poles caused by Z_O and C_L . The addition of the zero in the transfer function returns the phase margin to a stable level.

However, the R_{ISO} circuit suffers from accuracy issues when the amplifier is required to drive current due to the voltage drop formed across R_{ISO} . The errors could be corrected if the load is known and constant, but in cases when the circuit load is unknown or dynamic, move R_{ISO} inside the overall feedback path (see [Figure 1](#)). This configuration is known as in-loop compensation. In this configuration, dc and low-frequency feedback is provided from the load through R_F , restoring the dc and low-frequency accuracy of the circuit. Feedback capacitor, C_F , provides a high-frequency feedback path (FB_2) to bypass the feedback path formed from R_{ISO} , C_{LOAD} , and R_F (FB_1). This compensation method permits stable drive of any amount of capacitance load.

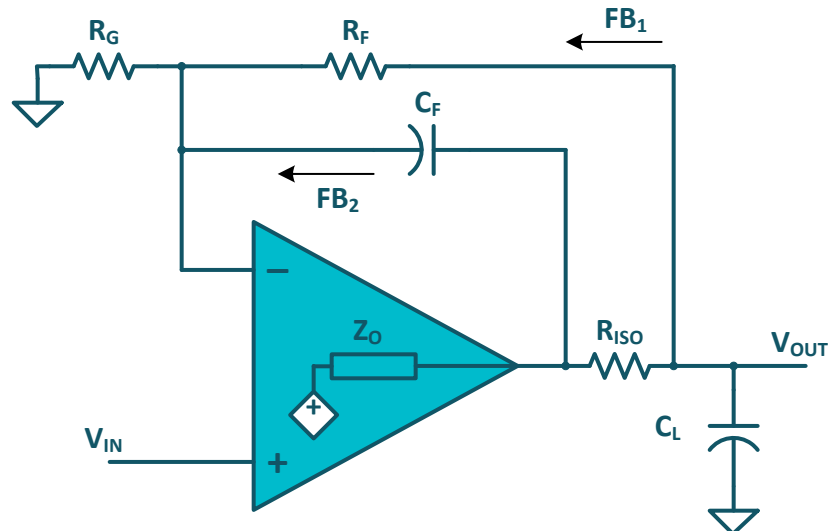


Figure 1. In-Loop Compensation: Circuit for Capacitive Load Drive

2 Selecting Compensation Components

As shown in Figure 2, the PGA900 DAC output amplifier, Z_o , displays complex frequency behavior. In the frequency range from DC up to amplifier bandwidth, Z_o behaves as a resistor, capacitor, and inductor. If Z_o is plotted with the different capacitance loads from 1 nF to 470 nF, intersections occur in the region where Z_o behaves as an inductor.

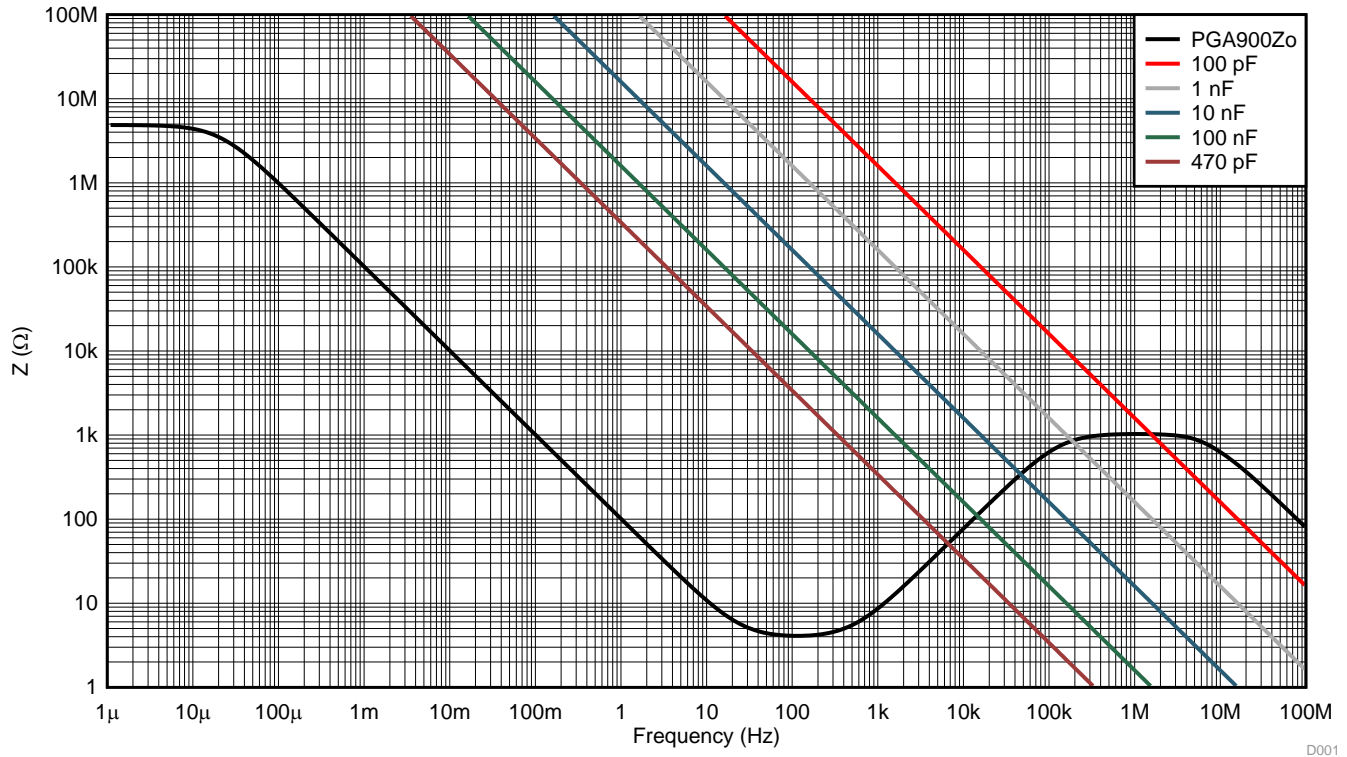


Figure 2. PGA900 Open-Loop Output Impedance Z_o and Capacitors Load Impedance Z_c Over Frequency

For stability analysis, replace Z_o with an equivalent open-loop output inductance, $L_o = 1.2294$ mH. By adding the isolating resistor, R_{iso} , between the output of the amplifier (or L_o) and the load capacitance, C_L , the interaction results in the addition of a double pole, f_p , and a zero, f_z , to the unloaded open-loop gain, A_{OL} . To maximize bandwidth and limit the feedback loop phase-shift at high frequencies to 90° , select R_{iso} so that $f_p = f_z$. Using this criteria, calculate R_{iso} with Equation 1.

$$R_{iso} = \sqrt{\frac{L_o}{C_L}} \tag{1}$$

The feedback path through C_F (FB_2) becomes the dominate feedback in the circuit after the frequency: $f_p' = \frac{1}{2} \pi \times (R_{iso} + R_F) \times C_F$. FB_2 must be designed so it is the dominate feedback path before FB_1 begins to compromise the circuit stability. Transferring feedback control to the bypass loop removes the second-pole effects from the new controlling feedback, which preserves stability. For the system to have the fastest response (fastest approach to the final value) possible without overshoot, select damping factor $\zeta = 1$. By definition, this system is critically damped. Therefore, the designer can calculate that f_p' must be $\leq \frac{1}{4} f_p$. To satisfy this condition, calculate the value of the feedback capacitor with Equation 2.

$$C_F = \frac{4 \times R_{iso} \times C_L}{R_{iso} + R_F} \tag{2}$$

3 PGA900 Compensation Components for Different C_L

PGA900 DAC gain stage has four fixed-gain selections: 2 V/V, 4 V/V, 6.67 V/V, and 10 V/V. These gain selections result in the feedback resistor values of 75 k Ω , 112.5 k Ω , 127.5 k Ω , and 135 k Ω , respectively. Figure 3 shows the PGA900 internal circuitry for a gain selection of X V/V.

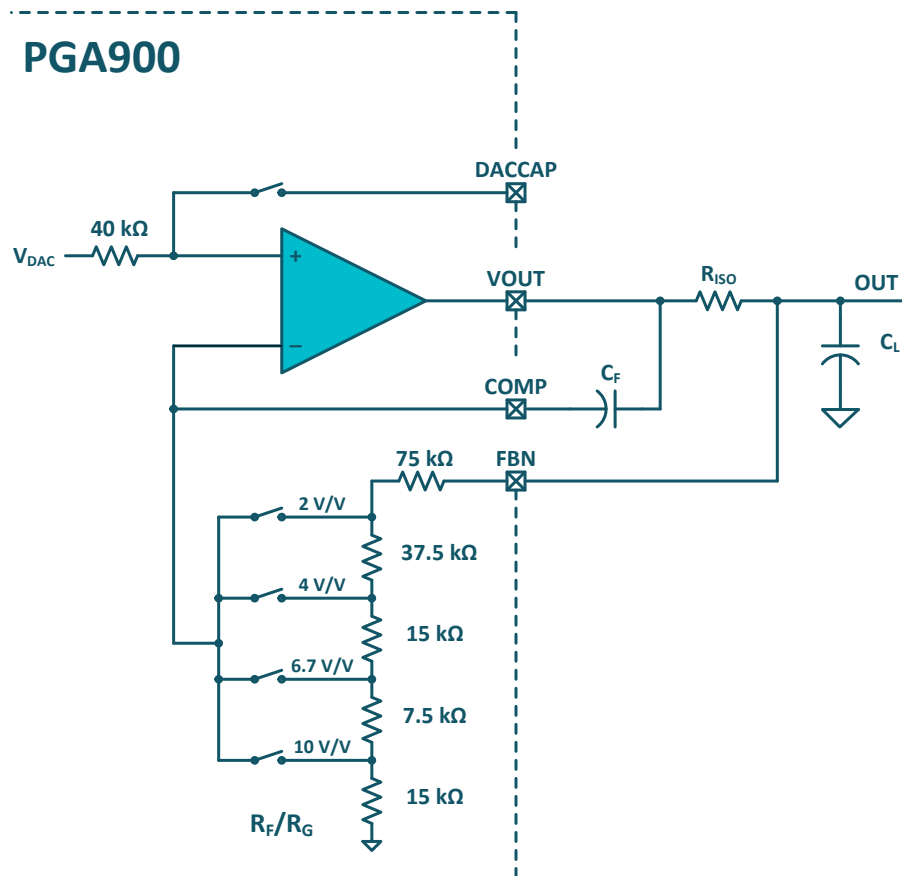


Figure 3. PGA900 Gain Selection Circuit With Capacitive Load Compensation

Using the previous procedure, select decoupling components R_{ISO} and C_F for different capacitive loads and gains. [Table 1](#) to [Table 4](#) show decoupling components that provide the highest bandwidth (BW) for 1-nF, 10-nF, 100-nF, and 470-nF capacitive loads, respectively.

Table 1. PGA900 Decoupling Components for 1-nF Capacitive Load

C_L (nF)	R_{ISO} (Ω)	Gain (V/V)	R_F (k Ω)	C_F (pF)	BW (kHz)
1	1100	2	75	56	37.3
1	1100	4	112.5	39	36.3
1	1100	6.67	127.5	33	37.8
1	1100	10	135	33	35.7

Table 2. PGA900 Decoupling Components for 10-nF Capacitive Load

C_L (nF)	R_{ISO} (Ω)	Gain (V/V)	R_F (k Ω)	C_F (pF)	BW (kHz)
10	348	2	75	180	11.7
10	348	4	112.5	120	11.8
10	348	6.67	127.5	120	10.4
10	348	10	135	100	11.8

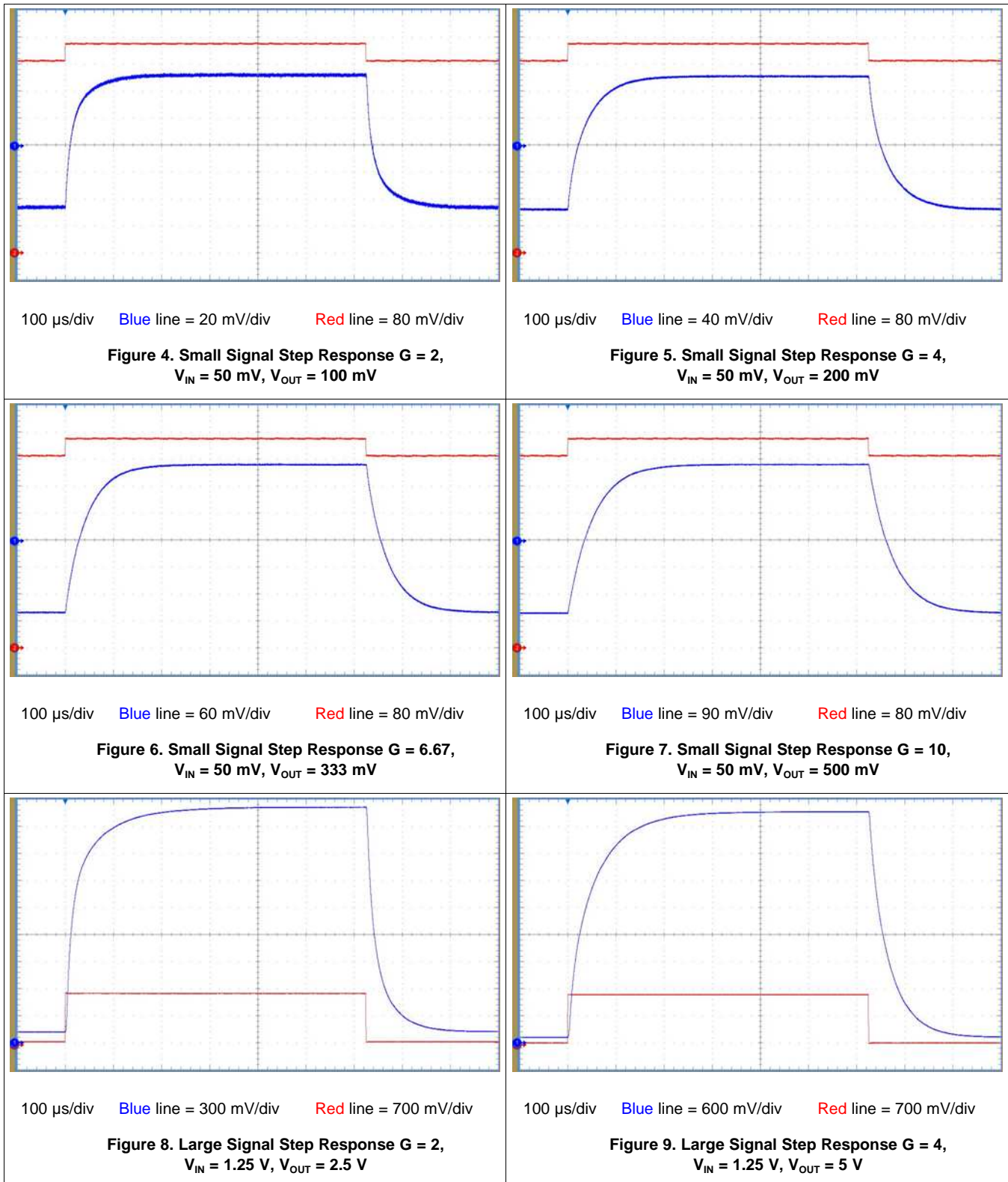
Table 3. PGA900 Decoupling Components for 100-nF Capacitive Load

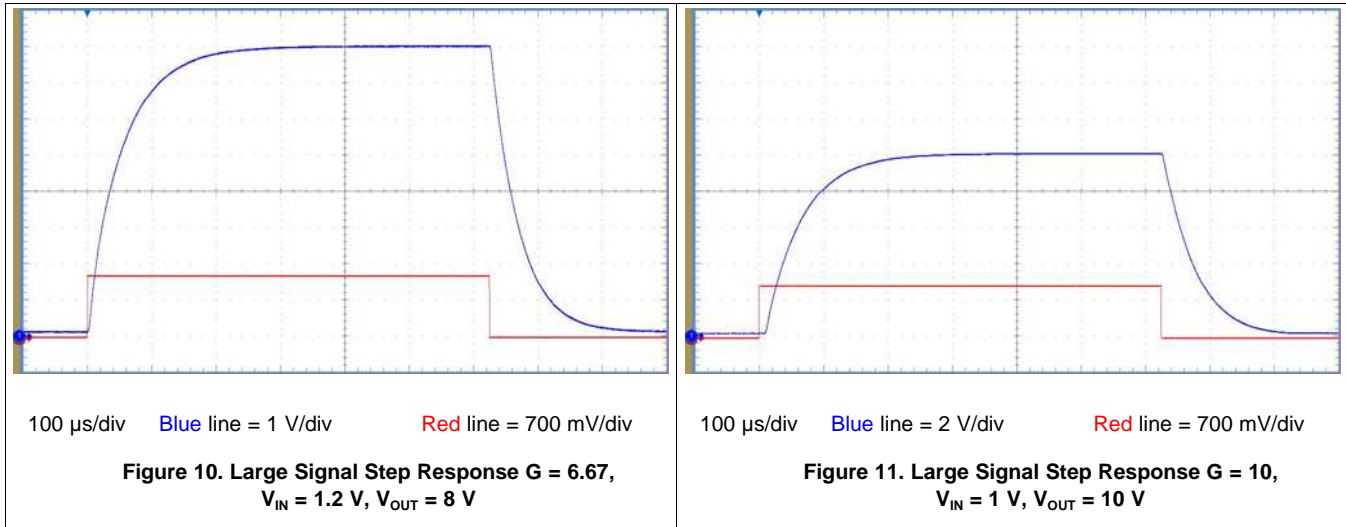
C_L (nF)	R_{ISO} (Ω)	Gain (V/V)	R_F (k Ω)	C_F (pF)	BW (kHz)
100	110	2	75	560	3.8
100	110	4	112.5	390	3.6
100	110	6.67	127.5	330	3.8
100	110	10	135	330	3.6

Table 4. PGA900 Decoupling Components for 470-nF Capacitive Load

C_L (nF)	R_{ISO} (Ω)	Gain (V/V)	R_F (k Ω)	C_F (pF)	BW (kHz)
470	51.1	2	75	1200	1.8
470	51.1	4	112.5	820	1.7
470	51.1	6.67	127.5	820	1.5
470	51.1	10	135	680	1.7

Using values from [Table 3](#) for a 100-nF capacitive load, small signal and large signal step response measurements were taken to verify stable circuit transient behavior. [Figure 4](#) to [Figure 11](#) show the results of these measurements. As predicted, all of these responses have similar response, critically damped, fast settling without overshoot.





4 Conclusion

Finding the open-loop output impedance lets the designer select compensation components for occasions when the PGA900 DAC gain output is used as a capacitive load driver. The component selection maximizes bandwidth and phase margin of the system for a specific capacitive load. Keeping the system response critically damped obtains the fastest output signal settling without overshoot. It is the designer's responsibility to adjust component values to ensure desired operation over the temperature range and the initial and life tolerances of the component.

5 References

1. John V. Wait, etc., *Introduction to Operational Amplifier Theory and Applications*, ISBN: 978-0070677654
2. Thomas M. Frederiksen, *Intuitive Operational Amplifiers: From Basics to Useful Applications*, ISBN: 978-0070219670
3. George B. Rutkowski, *Operational Amplifiers: Integrated and Hybrid Circuits*, ISBN: 978-0-471-57718-8
4. Jerald G. Graeme, *Optimizing Op Amp Performance*, ISBN: 978-0071590280
5. Sergio Franco, *Design With Operational Amplifiers And Analog Integrated Circuits*, ISBN: 978-0078028168
6. Miroslav Oljaca and Henry Surtihadi, *Operational amplifier gain stability, Part 1: General system analysis*, Analog Applications Journal (1Q 2010), [SLYT367](#)
7. Henry Surtihadi and Miroslav Oljaca, *Operational amplifier gain stability, Part 2: DC gain-error analysis*, Analog Applications Journal (2Q 2010), [SLYT374](#)
8. Miroslav Oljaca and Henry Surtihadi, *Operational amplifier gain stability, Part 3: AC gain-error analysis*, Analog Applications Journal (3Q 2010), [SLYT383](#)
9. TI E2E forum, [Solving Op Amp Stability Issues](#)

IMPORTANT NOTICE

Texas Instruments Incorporated and its subsidiaries (TI) reserve the right to make corrections, enhancements, improvements and other changes to its semiconductor products and services per JESD46, latest issue, and to discontinue any product or service per JESD48, latest issue. Buyers should obtain the latest relevant information before placing orders and should verify that such information is current and complete. All semiconductor products (also referred to herein as "components") are sold subject to TI's terms and conditions of sale supplied at the time of order acknowledgment.

TI warrants performance of its components to the specifications applicable at the time of sale, in accordance with the warranty in TI's terms and conditions of sale of semiconductor products. Testing and other quality control techniques are used to the extent TI deems necessary to support this warranty. Except where mandated by applicable law, testing of all parameters of each component is not necessarily performed.

TI assumes no liability for applications assistance or the design of Buyers' products. Buyers are responsible for their products and applications using TI components. To minimize the risks associated with Buyers' products and applications, Buyers should provide adequate design and operating safeguards.

TI does not warrant or represent that any license, either express or implied, is granted under any patent right, copyright, mask work right, or other intellectual property right relating to any combination, machine, or process in which TI components or services are used. Information published by TI regarding third-party products or services does not constitute a license to use such products or services or a warranty or endorsement thereof. Use of such information may require a license from a third party under the patents or other intellectual property of the third party, or a license from TI under the patents or other intellectual property of TI.

Reproduction of significant portions of TI information in TI data books or data sheets is permissible only if reproduction is without alteration and is accompanied by all associated warranties, conditions, limitations, and notices. TI is not responsible or liable for such altered documentation. Information of third parties may be subject to additional restrictions.

Resale of TI components or services with statements different from or beyond the parameters stated by TI for that component or service voids all express and any implied warranties for the associated TI component or service and is an unfair and deceptive business practice. TI is not responsible or liable for any such statements.

Buyer acknowledges and agrees that it is solely responsible for compliance with all legal, regulatory and safety-related requirements concerning its products, and any use of TI components in its applications, notwithstanding any applications-related information or support that may be provided by TI. Buyer represents and agrees that it has all the necessary expertise to create and implement safeguards which anticipate dangerous consequences of failures, monitor failures and their consequences, lessen the likelihood of failures that might cause harm and take appropriate remedial actions. Buyer will fully indemnify TI and its representatives against any damages arising out of the use of any TI components in safety-critical applications.

In some cases, TI components may be promoted specifically to facilitate safety-related applications. With such components, TI's goal is to help enable customers to design and create their own end-product solutions that meet applicable functional safety standards and requirements. Nonetheless, such components are subject to these terms.

No TI components are authorized for use in FDA Class III (or similar life-critical medical equipment) unless authorized officers of the parties have executed a special agreement specifically governing such use.

Only those TI components which TI has specifically designated as military grade or "enhanced plastic" are designed and intended for use in military/aerospace applications or environments. Buyer acknowledges and agrees that any military or aerospace use of TI components which have **not** been so designated is solely at the Buyer's risk, and that Buyer is solely responsible for compliance with all legal and regulatory requirements in connection with such use.

TI has specifically designated certain components as meeting ISO/TS16949 requirements, mainly for automotive use. In any case of use of non-designated products, TI will not be responsible for any failure to meet ISO/TS16949.

Products

Audio	www.ti.com/audio
Amplifiers	amplifier.ti.com
Data Converters	dataconverter.ti.com
DLP® Products	www.dlp.com
DSP	dsp.ti.com
Clocks and Timers	www.ti.com/clocks
Interface	interface.ti.com
Logic	logic.ti.com
Power Mgmt	power.ti.com
Microcontrollers	microcontroller.ti.com
RFID	www.ti-rfid.com
OMAP Applications Processors	www.ti.com/omap
Wireless Connectivity	www.ti.com/wirelessconnectivity

Applications

Automotive and Transportation	www.ti.com/automotive
Communications and Telecom	www.ti.com/communications
Computers and Peripherals	www.ti.com/computers
Consumer Electronics	www.ti.com/consumer-apps
Energy and Lighting	www.ti.com/energy
Industrial	www.ti.com/industrial
Medical	www.ti.com/medical
Security	www.ti.com/security
Space, Avionics and Defense	www.ti.com/space-avionics-defense
Video and Imaging	www.ti.com/video

TI E2E Community

e2e.ti.com