

# **Enabling HDMI over USB Type-C using TUSB546A-DCI**

Mike Campbell

## **ABSTRACT**

The TUSB546A-DCI is a linear redriver that supports both USB3.1 Gen1 and DisplayPort 1.4 over a USB Type-C interface. Even though the TUSB546A-DCI was released for the DisplayPort Alternate mode, the TUSB546A-DCI can also be used as a redriver in a USB-C HDMI Alternate mode source application. This document is intended to describe how to use the TUSB546A-DCI in a HDMI Type-C source application. The information in this document can also be applied to the TUSB546-DCI, TUSB1046-DCI, and TUSB1046A-DCI. For the remainder of the document TUSBx46 is used to describe all of these parts.

## **Contents**

1	Introduction .....	2
2	DisplayPort Alt Mode and HDMI Alt Mode .....	2
3	HDMI TX to the TUSBx46 DisplayPort Input.....	2
4	HDMI HEAC .....	4
5	AUX Implementation .....	4
6	HPD Implementation .....	4
7	Example Software .....	5
8	USB-C HDMI Implementation Examples .....	6
9	References .....	7

## **List of Figures**

1	HDMI TX to TUSBx46 DP AC-coupled Receiver.....	3
2	HDMI and USB3.1 using TUSBx46 in I2C Mode.....	6
3	HDMI, DisplayPort, and USB3.1 using TUSBx46 and HD3SS215.....	7

## **List of Tables**

1	Summary of Key Differences.....	2
2	USB-C Receptacle DisplayPort Alternate Mode DFP_D Map .....	2
3	USB-C Receptacle HDMI Alternate Mode Map.....	2
4	HDMI to TUSBx46 DP Input Map .....	3
5	AUX Snoop Enable Control .....	4
6	HPD Connection Options .....	4

## **Trademarks**

All trademarks are the property of their respective owners.

## 1 Introduction

With the release of the HDMI Alt Mode specification in September of 2016, a need as arisen for a signal conditioner which can support HDMI 1.4 and HDMI 2.0 datarates. The TUSBx46 is a Type-C linear redriver mux intended for Type-C source applications. The TUSBx46 multiplexes between four DP1.4 lanes and USB3.1 to a single Type-C receptacle. Even though TUSBx46 was released to address the DisplayPort alternate mode application, it can also be used in HDMI Alternate mode. This document details the requirements for using the TUSBx46 in a HDMI Alternate Mode source.

## 2 DisplayPort Alt Mode and HDMI Alt Mode

The TUSBx46 was designed for the USB-C DisplayPort alternate mode specification but can also be used for USB-C HDMI Alternate mode. There are some key differences between these two standards which must be taken into account when using the TUSBx46. These differences are summarized in [Table 1](#) through [Table 3](#). The most important difference is the polarity inversion on TMDS\_D0 and TMDS\_CLK. Unlike USB3.1, neither HDMI nor DisplayPort support polarity inversion correction. For this reason, polarity inversion must be corrected at the TUSBx46 DP input. The proper connection is detailed in [Table 4](#).

**Table 1. Summary of Key Differences**

Function or Feature	HDMI Alternate Mode	DisplayPort Alternate Mode
Polarity match Type-C receptacle pins	Inversion on TMDS_D0 and TMDS_CLK	Yes
HPD	Both USB PD and SBU1	Only over USB PD
SBU1 and SBU2 pins	HPD/HEAC- and HEAC+	AUXP and AUXN

**Table 2. USB-C Receptacle DisplayPort Alternate Mode DFP\_D Map**

NORMAL ORIENTATION											
A1	A2	A3	A4	A5	A6	A7	A8	A9	A10	A11	A12
GND	DP_D2P (TXP1)	DP_D2P (TXN1)	V <sub>bus</sub>	CC1	Dp1	Dn1	AUXP (SBU1)	V <sub>bus</sub>	DP_D0N (RXN2)	DP_D0P (RXP2)	GND
GND	DP_D3P (RXP1)	DP_D3P (RXN1)	V <sub>bus</sub>	AUXN (SBU2)	Dn2	Dp2	VCONN	V <sub>bus</sub>	DP_D1N (TXN2)	DP_D1P (TXP2)	GND
B12	B11	B10	B9	B8	B7	B6	B5	B4	B3	B2	B1

**Table 3. USB-C Receptacle HDMI Alternate Mode Map**

NORMAL ORIENTATION											
A1	A2	A3	A4	A5	A6	A7	A8	A9	A10	A11	A12
GND	TMDS Data1+ (TXP1)	TMDS Data1- (TXN1)	V <sub>bus</sub>	CC1	Dp1	Dn1	HPD / HEAC- (SBU1)	V <sub>bus</sub>	TMDS Data0+ (RXN2)	TMDS Data0- (RXP2)	GND
GND	TMDS Data2+ (RXP1)	TMDS Data2- (RXN1)	V <sub>bus</sub>	Utility / HEAC+ (SBU2)	Dn2	Dp2	VCONN	V <sub>bus</sub>	TMDS Clock+ (TXN2)	TMDS Clock- (TXP2)	GND
B12	B11	B10	B9	B8	B7	B6	B5	B4	B3	B2	B1

## 3 HDMI TX to the TUSBx46 DisplayPort Input

The HDMI 1.4b and HDMI2.0 standards define a DC-coupled 3.3 V common mode interface while DisplayPort standard defines an AC-coupled interface. Because TUSBx46 implements a DisplayPort receiver, the TUSBx46 DP[3:0] pins must be AC-coupled to the HDMI transmitter as depicted in [Figure 1](#).

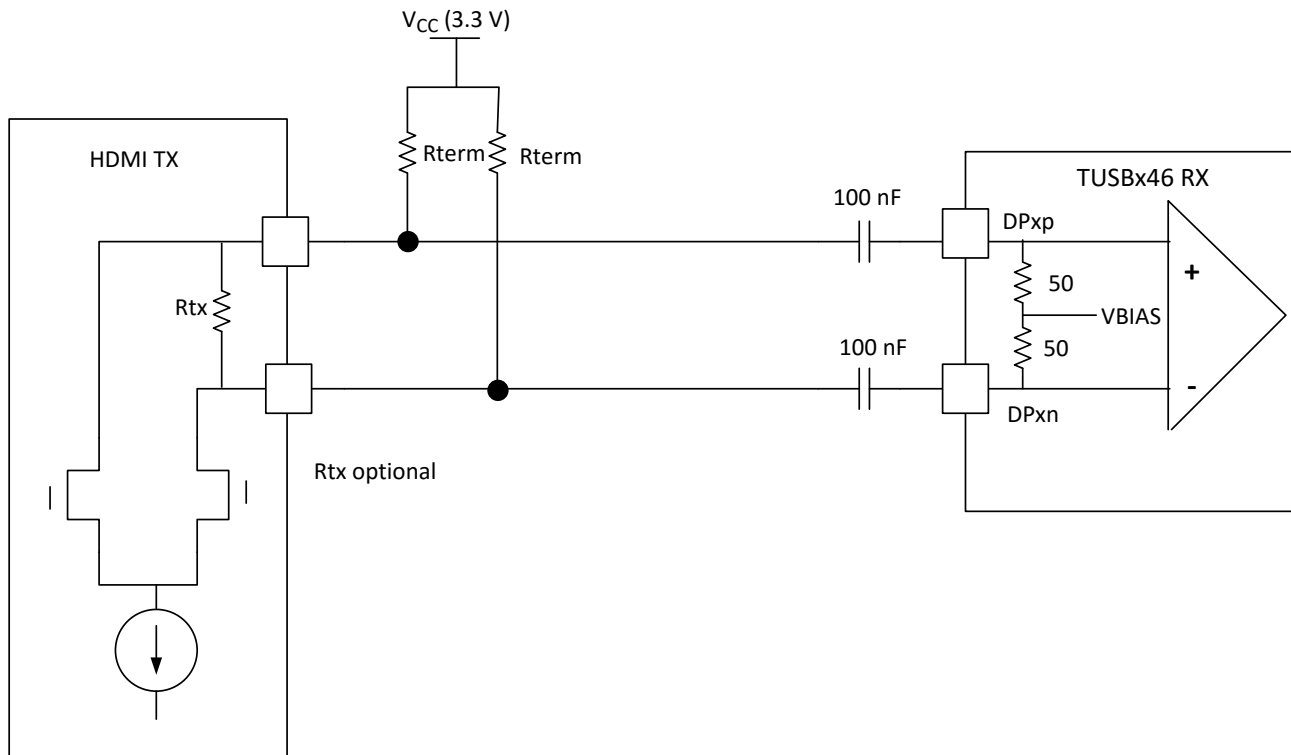


Figure 1. HDMI TX to TUSBx46 DP AC-coupled Receiver

The external  $R_{term}$  along with TUSBx46 internal termination produces double termination and therefore will reduce the signal into TUSBx46 input. With TUSBx46 being a linear redriver, the reduced input swing is propagated to the USB-C receptacle. A  $R_{term}$  value of 50- $\Omega$  works with all HDMI TX, but also cuts in half the signal into TUSBx46. If 50- $\Omega$  is used, then HDMI transmitter's voltage swing must be increased to compensate for the double termination. A larger  $R_{term}$  will minimize the impact of double termination. The maximum value used for  $R_{term}$  will depend on the HDMI TX capabilities. Consult HDMI TX vendor to find out the maximum allowed  $R_{term}$ .

The high-speed signals from the HDMI source must be connected to the TUSBx46 DisplayPort inputs based on Table 4:

Table 4. HDMI to TUSBx46 DP Input Map

HDMI TMDS SIGNAL NAME	TUSBx46 DISPLAYPORT INPUT SIGNAL NAME	TUSBx46 DISPLAYPORT INPUT PIN NUMBER	COMMENT
TMDS_D0N	DP0P	9	This polarity inversion is required in order for TUSBx46 to route to the correct Type-C pin.
TMDS_D0P	DP0N	10	This polarity inversion is required in order for TUSBx46 to route to the correct Type-C pin.
TMDS_D1N	DP2N	16	
TMDS_D1P	DP2P	15	
TMDS_D2N	DP3N	19	
TMDS_D2P	DP3P	18	
TMDS_CLKN	DP1P	12	This polarity inversion is not required. A HDMI monitor should not care about the HDMI clock polarity.
TMDS_CLKP	DP1N	13	This polarity inversion is not required. A HDMI monitor should not care about the HDMI clock polarity.

## 4 HDMI HEAC

The USB-C HDMI Alternate mode spec defines that HEAC+ and HEAC- signals are routed over the Type-C SBU1/2 pins. The HEAC signals are 5-V signaling levels; and therefore, must not be connected to the TUSBx46 SBU1/2 pins. The TUSBx46 SBU1/2 pins are not 5-V tolerant and therefore can be damaged if HEAC signals are directly connected. It is recommended to use an external mux or PD controller which can support these levels.

## 5 AUX Implementation

The TUSBx46 snoops AUX transactions in order to enable and disable DisplayPort lanes to save power. This snoop feature is enabled by default. Because AUX is not used in HDMI, the AUX snoop feature must be disabled whenever HDMI Alternate mode is enabled.

**Table 5. AUX Snoop Enable Control**

TUSBx46 GPIO or I2C MODE	AUX SNOOP ENABLED	AUX SNOOP DISABLED
GPIO Mode (pin I2C_EN = 0)	CAD_SNK (pin 29) = Low	CAD_SNK (pin 29) = HIGH
I2C Mode (pin I2C_EN != 0)	Clear bit 7 Reg13h	Set bit 7 Reg13h

## 6 HPD Implementation

The TUSBx46 uses the HPDIN to enable and disable DisplayPort path functionality to save power. The HPD signal from PD controller should be routed to either pin 23 or pin 32 based on the TUSBx46 GPIO/I2C Mode.

---

**NOTE:** TUSBx46 HPDIN pins (pin 23 or 32) are not 5-V tolerant. Therefore, HPDIN signal must be connected to a PD controller which drives HPD at 3.3 V LVCMOS level.

---

**Table 6. HPD Connection Options**

TUSBx46 GPIO or I2C MODE	HPD
GPIO Mode (pin I2C_EN = 0)	Pin 32
I2C Mode (pin I2C_EN != 0)	Pin 23

## 7 Example Software

TUSBx46 in I2C mode must be configured for DisplayPort only when using HDMI mode. The Aardvark script below shows how to configure TUSBx46 for DisplayPort only mode and disable AUX snoop. This script uses an arbitrary equalization value for each lane receiver. Each receiver has 16 possible equalization settings. The actual value used should be based on the channel insertion loss for each DisplayPort or HDMI lane. The script slave address is set to 0x0F which corresponds to both DPEQ0/A1 and SSEQ0/A0 pins being at a '1' level. This slave address should be changed to match DPEQ0/A1 and SSEQ0/A0 pins value in the user's system.

```
<aardvark>

    <configure i2c="1" spi="1" gpio="0" tpower="0" pullups="0"/> <i2c_bitrate
    khz="400"/>
===DP only and EQ override set===

    <i2c_write addr="0x0F" count="1" radix="16"> 0A 12 </i2c_write> />
===Disable AUX Snoop and enable all DP lanes===

    <i2c_write addr="0x0F" count="1" radix="16"> 13 80 </i2c_write> />
===DP Lanes 0 and 1 EQ setting. 16 possible settings.===

    ===Lane 0 EQ: 0 Setting =====
    ===Lane 1 EQ: 1 Setting =====

    <i2c_write addr="0x0F" count="1" radix="16"> 10 10 </i2c_write> />
===DP Lanes 2 and 3 EQ Settings. 16 possible settings.===

    ===Lane 2 EQ: 0 Setting =====
    ===Lane 3 EQ: 1 Setting =====

    <i2c_write addr="0x0F" count="1" radix="16"> 11 10 </i2c_write> />
</aardvark>
```

## 8 USB-C HDMI Implementation Examples

### 8.1 HDMI and USB3.1 support

This example implementation shows how to implement TUSBx46 in I2C mode (I2C\_EN != '0') with a APU that supports both HDMI and USB 3.1. If GPIO mode (I2C\_EN = '0') is the desired implementation instead of I2C mode, the PD controller must control TUSBx56's CAD\_SNK, CTL0, CLT1, and FLIP pins. For an application which does not need to support USB3.1, the TUSBx46 SSRXP/N and SSTXP/N pins can be left unconnected.

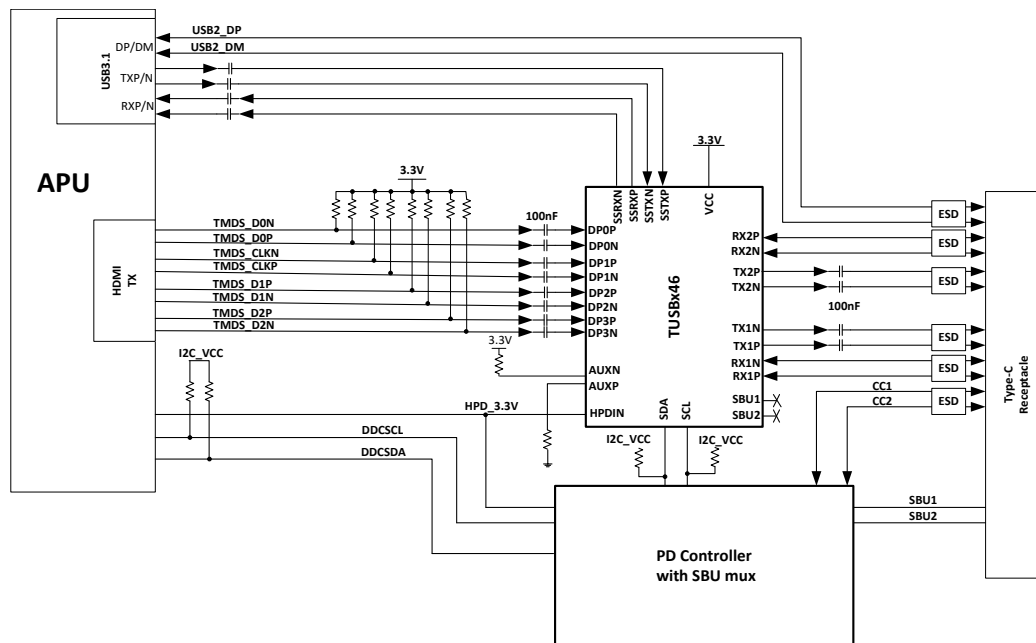


Figure 2. HDMI and USB3.1 using TUSBx46 in I2C Mode

### 8.2 HDMI, DisplayPort and USB3.1

Implementing both USB-C HDMI and DisplayPort alternate modes may require a 2:1 passive switch like the Texas Instruments HD3SS215. A 2:1 passive switch is needed if a single DisplayPort++ (DP++) transmitter is unable to perform the necessary muxing of HDMI TMDS lanes and DisplayPort lanes.

In this example the two DP++ TX ports (such as a two Intel DDI ports) are DC-coupled to HD3SS215's DA[3:0] and DB[3:0]. HD3SS215's DC[3:0] pins are connected to the TUSBx46 DP[3:0] through ac coupling capacitors. As shown in [Figure 3](#), the DP++ TX TMDS lanes are routed to the appropriate DB[3:0] pins on the HD3SS215 so as to meet the requirements detailed in [Table 4](#).

Unlike an HDMI transmitter, a DP++ transmitter implements DisplayPort electrical characteristics. Therefore; the Rterm depicted in [Figure 1](#) is no longer needed.

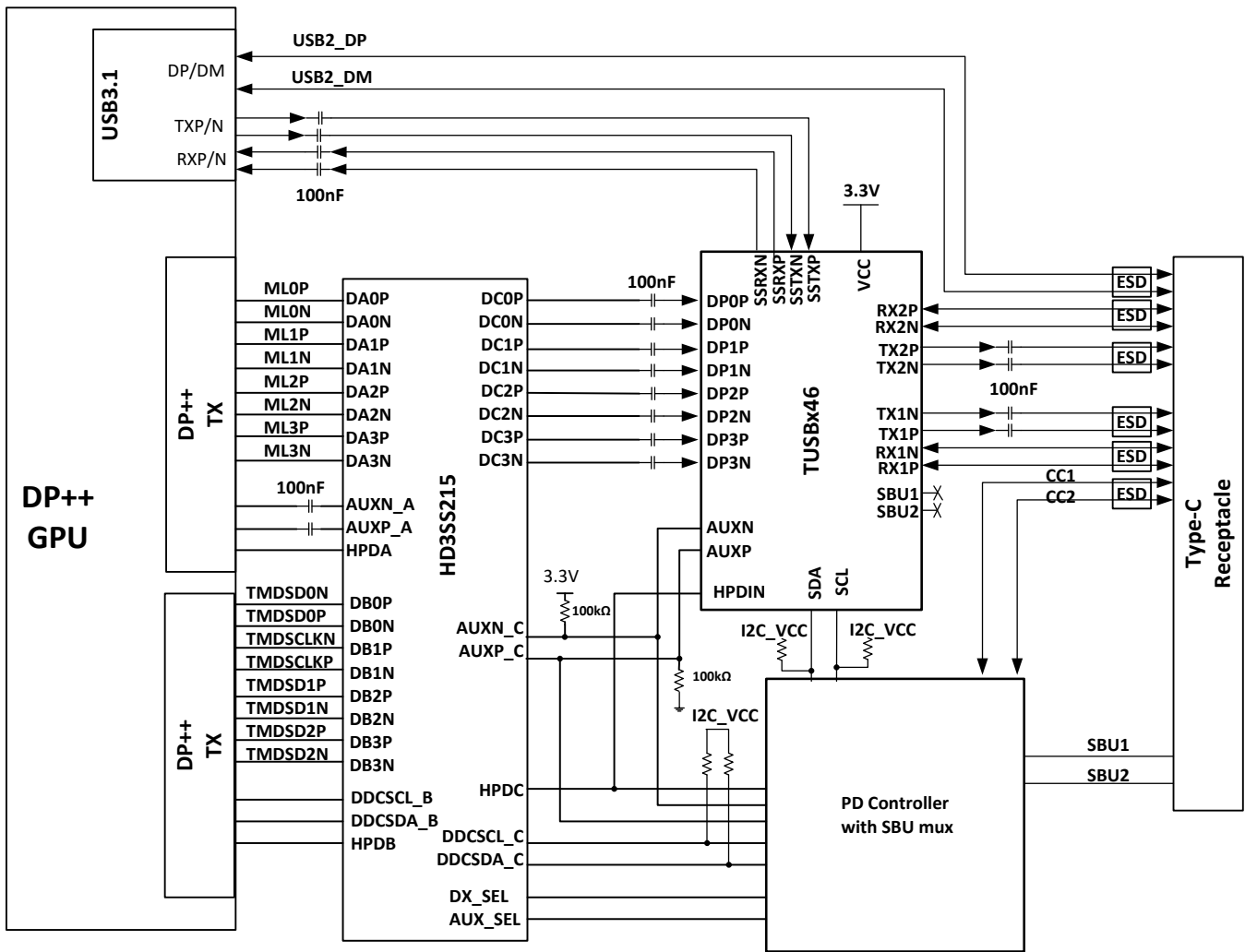


Figure 3. HDMI, DisplayPort, and USB3.1 using TUSBx46 and HD3SS215

## 9 References

- Datasheet: [TUSB546A-DCI USB Type-C DP Alt Mode Linear Redriver Crosspoint Switch, SLLSF14](#).
- HDMI 1.4b Alt Mode on USB Type-C Specification, Version 1.0a, January 17, 2017
- VESA DisplayPort Alt Mode on USB Type-C Standard, Version 1.0a, August 5, 2015

## IMPORTANT NOTICE FOR TI DESIGN INFORMATION AND RESOURCES

Texas Instruments Incorporated ("TI") technical, application or other design advice, services or information, including, but not limited to, reference designs and materials relating to evaluation modules, (collectively, "TI Resources") are intended to assist designers who are developing applications that incorporate TI products; by downloading, accessing or using any particular TI Resource in any way, you (individually or, if you are acting on behalf of a company, your company) agree to use it solely for this purpose and subject to the terms of this Notice.

TI's provision of TI Resources does not expand or otherwise alter TI's applicable published warranties or warranty disclaimers for TI products, and no additional obligations or liabilities arise from TI providing such TI Resources. TI reserves the right to make corrections, enhancements, improvements and other changes to its TI Resources.

You understand and agree that you remain responsible for using your independent analysis, evaluation and judgment in designing your applications and that you have full and exclusive responsibility to assure the safety of your applications and compliance of your applications (and of all TI products used in or for your applications) with all applicable regulations, laws and other applicable requirements. You represent that, with respect to your applications, you have all the necessary expertise to create and implement safeguards that (1) anticipate dangerous consequences of failures, (2) monitor failures and their consequences, and (3) lessen the likelihood of failures that might cause harm and take appropriate actions. You agree that prior to using or distributing any applications that include TI products, you will thoroughly test such applications and the functionality of such TI products as used in such applications. TI has not conducted any testing other than that specifically described in the published documentation for a particular TI Resource.

You are authorized to use, copy and modify any individual TI Resource only in connection with the development of applications that include the TI product(s) identified in such TI Resource. NO OTHER LICENSE, EXPRESS OR IMPLIED, BY ESTOPPEL OR OTHERWISE TO ANY OTHER TI INTELLECTUAL PROPERTY RIGHT, AND NO LICENSE TO ANY TECHNOLOGY OR INTELLECTUAL PROPERTY RIGHT OF TI OR ANY THIRD PARTY IS GRANTED HEREIN, including but not limited to any patent right, copyright, mask work right, or other intellectual property right relating to any combination, machine, or process in which TI products or services are used. Information regarding or referencing third-party products or services does not constitute a license to use such products or services, or a warranty or endorsement thereof. Use of TI Resources may require a license from a third party under the patents or other intellectual property of the third party, or a license from TI under the patents or other intellectual property of TI.

TI RESOURCES ARE PROVIDED "AS IS" AND WITH ALL FAULTS. TI DISCLAIMS ALL OTHER WARRANTIES OR REPRESENTATIONS, EXPRESS OR IMPLIED, REGARDING TI RESOURCES OR USE THEREOF, INCLUDING BUT NOT LIMITED TO ACCURACY OR COMPLETENESS, TITLE, ANY EPIDEMIC FAILURE WARRANTY AND ANY IMPLIED WARRANTIES OF MERCHANTABILITY, FITNESS FOR A PARTICULAR PURPOSE, AND NON-INFRINGEMENT OF ANY THIRD PARTY INTELLECTUAL PROPERTY RIGHTS.

TI SHALL NOT BE LIABLE FOR AND SHALL NOT DEFEND OR INDEMNIFY YOU AGAINST ANY CLAIM, INCLUDING BUT NOT LIMITED TO ANY INFRINGEMENT CLAIM THAT RELATES TO OR IS BASED ON ANY COMBINATION OF PRODUCTS EVEN IF DESCRIBED IN TI RESOURCES OR OTHERWISE. IN NO EVENT SHALL TI BE LIABLE FOR ANY ACTUAL, DIRECT, SPECIAL, COLLATERAL, INDIRECT, PUNITIVE, INCIDENTAL, CONSEQUENTIAL OR EXEMPLARY DAMAGES IN CONNECTION WITH OR ARISING OUT OF TI RESOURCES OR USE THEREOF, AND REGARDLESS OF WHETHER TI HAS BEEN ADVISED OF THE POSSIBILITY OF SUCH DAMAGES.

You agree to fully indemnify TI and its representatives against any damages, costs, losses, and/or liabilities arising out of your non-compliance with the terms and provisions of this Notice.

This Notice applies to TI Resources. Additional terms apply to the use and purchase of certain types of materials, TI products and services. These include; without limitation, TI's standard terms for semiconductor products (<http://www.ti.com/sc/docs/stdterms.htm>), [evaluation modules](#), and [samples](http://www.ti.com/sc/docs/sampterm.htm) (<http://www.ti.com/sc/docs/sampterm.htm>).

Mailing Address: Texas Instruments, Post Office Box 655303, Dallas, Texas 75265  
Copyright © 2017, Texas Instruments Incorporated