

# ***Precision Summing Circuit Supporting High Output Current From Multiple AFEs in Ultrasound Application***

*Sanjay Pithadia, Satyajeet Patel*

## **ABSTRACT**

This application report explains precision signal chain circuit for summing the outputs in “Current-Output” Medical Ultrasound Analog Front Ends (AFEs). Starting from the current-output AFE examples, this document highlights the requirements of the external summing circuit. The selection criteria and example circuit using Fully Differential Amplifiers (FDAs) is also explained.

---

**NOTE:** This application report is a companion to TI Design, [TIDA-01351](#) (High-Resolution, High-SNR True Raw Data Conversion Reference Design for Ultrasound CW Doppler), which was designed to sum multiple AFEs with only voltage outputs from the same AFE58xx family of ultrasound receive AFEs. Once the signals are summed, TIDA-01351 then converts the summed CW I and Q phase signals with SNR greater than 101dB.

---

## **Contents**

1	Introduction .....	2
2	Summary .....	7
3	References .....	7
Appendix A	Calculation of the Output Current Signal .....	8

## **List of Figures**

1	High Level Block Diagram for Multiple FDA Approach (32-channel system) .....	3
2	Single FDA I-to-V with LPF .....	3
3	Using Buffer to Improve the Output Current Sink/Source Capability of THS4130 .....	4
4	TINA Simulation for Circuit Using Buffer to Improve the Output Current Sink/Source Capability of THS4130 .	5
5	Output Waveform for Circuit Using Buffer .....	5
6	Noise Analysis .....	6
7	Frequency Response .....	7
8	A Circuit Representation of I-Phase or Q-Phase Channel .....	8

## **List of Tables**

1	AFEs With Output Types (Voltage and/or Current Output) .....	2
2	Total Summed Output Current for Multiple Channel Configurations .....	9

## Trademarks

All trademarks are the property of their respective owners.

## 1 Introduction

The Continuous Wave Doppler (CWD) is a key function in mid-end to high-end Ultrasound systems. The CW path must handle high dynamic range along with strict phase noise performance. For many of the Ultrasound AFEs from TI (AFE58xx series), the output in CW path is current signal. The output signals are differential and have I (In-phase) as well as Q (Quadrature-phase) signals for each channel. The output current is typically sum of all the channels within that AFE. For higher channel (like 64, 96, 128, 192 or 256) Ultrasound applications, multiple AFE outputs need to be added together externally to sum the echo energy.

Table 1 shows which AFEs support voltage or current or both output types.

**Table 1. AFEs With Output Types (Voltage and/or Current Output)**

AFE Part Number	Output Type	VOCM Requirement While Summing Output Currents	Maximum Current/Voltage	Number of Channels
AFE5805	Current	2.5 V	Dynamic CW current output: 2.9 mA(p-p) Static CW current output (sink): 0.9 mA	8
AFE5804	Current	2.5 V	Dynamic CW current output: 2.9 mA(p-p) Static CW current output(sink): 0.9 mA	8
AFE5808	Voltage/Current	1.5 V	Summing Amplifier Output: 4 V(p-p) Maximum output current: 20 mA(p-p)	8
AFE5808A	Voltage/Current	1.5 V	Summing Amplifier Output: 4 V(p-p) Maximum output current: 20 mA(p-p)	8
AFE5807	Voltage/Current	1.5 V	Summing Amplifier Output: 4 V(p-p) Maximum output current: 20 mA(p-p)	8
AFE5809	Voltage/Current	1.5 V	Summing Amplifier Output: 4 V(p-p) Maximum output current: 20 mA(p-p)	8
AFE5818	Voltage/Current	1.5 V	Summing Amplifier Output: 4 V(p-p) Maximum output current: 50 mA(p-p)	8
AFE5812	Voltage/Current	1.5 V	Summing Amplifier Output: 4 V(p-p) Maximum output current: 20 mA(p-p)	8
AFE5816	Current	0.9 V	4.8mApp per channel	16

AFE5816 supports 16-channels, so for 128-channel application, there will be eight AFEs required. Each AFE5816 can provide peak-to-peak output current of 1.5 mA (peak of 0.75 mA single-ended). For eight AFEs, the current requirement is  $0.75 \times 128 = 96$  mA peak. For calculations, see [Appendix A](#).

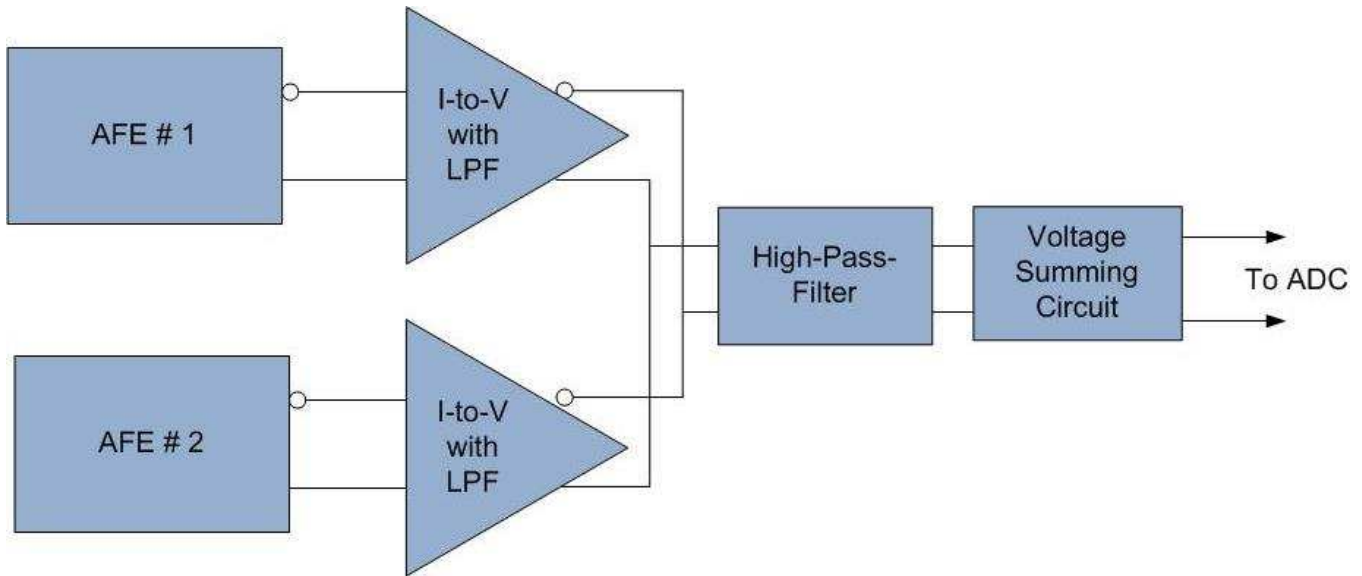
Design requirements for the summing circuit:

While designing the external summing circuit, the designer should look at specific requirements from the AFE's perspective. The requirements for the summing circuit:

- It should support the higher current as per the number of total channels.
- The summing circuit should be built with low-noise active components. The offset errors and noise can create a huge impact on the Continuous Wave (CW) Doppler I and Q signals.
- I & Q channels must be strictly symmetrical by using well-matched layout and high-accuracy components.
- Additional high-pass wall filters (20 Hz to 500 Hz) and low-pass audio filters (10 kHz to 100 kHz) with multiple poles are usually required as the noise under this range is critical because the CW Doppler signal ranges from 20 Hz to 20 kHz.

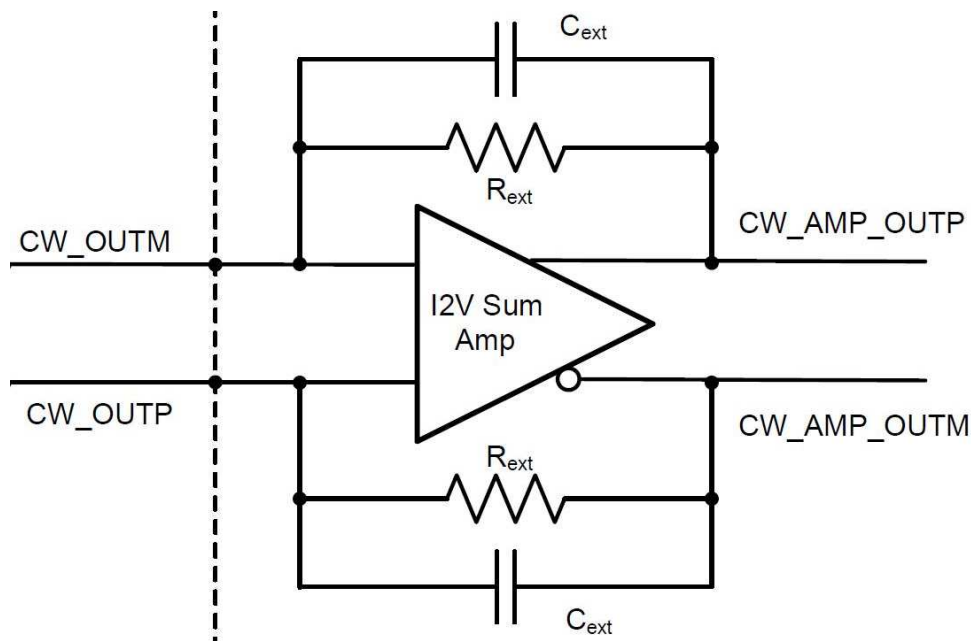
There are different approaches to handle such high current. since one FDA cannot be used for summing all the outputs (due to current capability of the FDA), using one Current-to-Voltage (I-to-V) converter for each AFEs (and then using the voltage outputs to sum before taking it to external ADC for conversion), is the simplest approach. This approach is also highlighted in the datasheet of AFE5816.

For a 32-channels system, on a block-diagram level, it will look like [Figure 1](#).



**Figure 1. High Level Block Diagram for Multiple FDA Approach (32-channel system)**

The I-to-V converter with a low-pass filter (LPF) is shown in [Figure 2](#).



**Figure 2. Single FDA I-to-V with LPF**

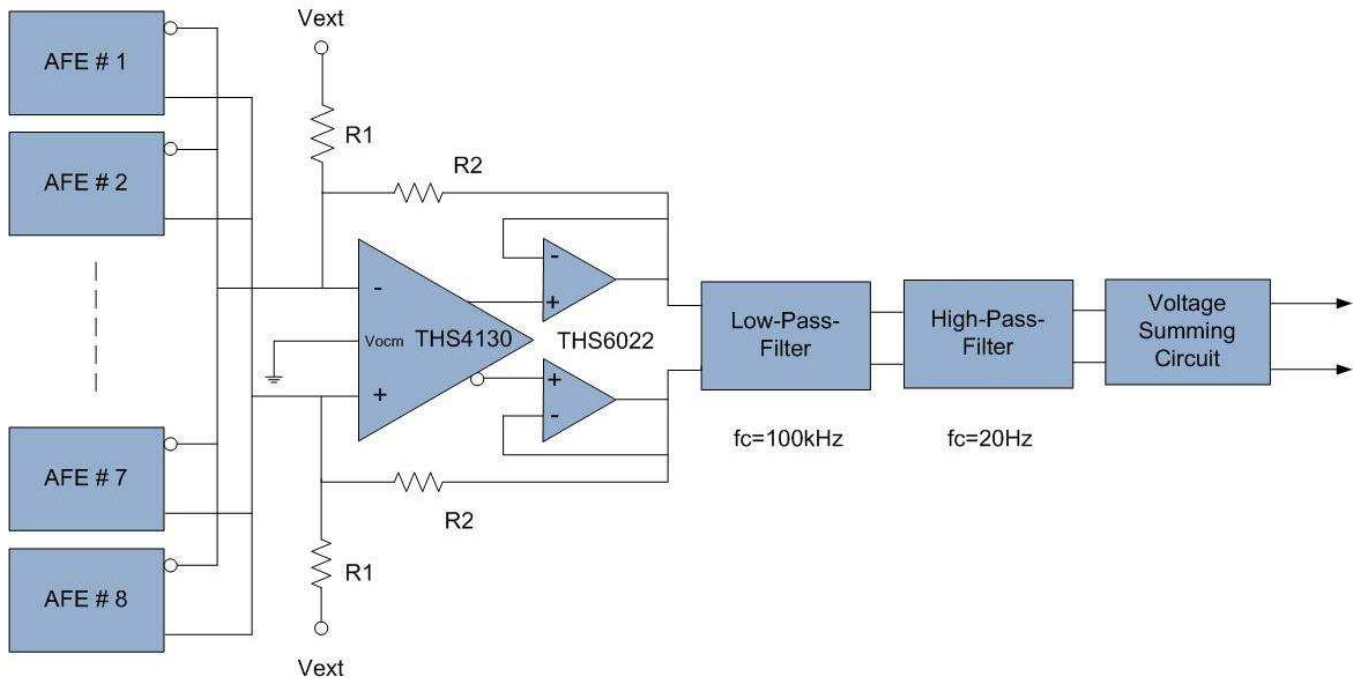
For a given cut-off frequency ( $f_c$ ), the calculation of  $R_{ext}$  and  $C_{ext}$  are given as shown in [Equation 1](#).

$$f_c = \frac{1}{2 \times \pi R_{ext} \times C_{ext}} \tag{1}$$

This approach increases overall cost of the summing circuit as the Bill of Material (BoM) is higher. To scale up with the number of channels, the solution requires more number of FDAs. The number increases linearly with increase in total number of channels.

For the multiple FDA approach, the routing of signals can create offset errors, non-linearity and mismatch between the signals due to layout parasitic effects.

One other solution is to reduce the total number of components and provide low-noise summing circuit, the FDA and high-output current buffer can be used in composite loop to achieve both precision and current drive capability. [Figure 3](#) shows an approach for summing the current outputs from multiple AFEs. The outputs from each of the AFEs can be combined together into one FDA and the composite loop is created by adding a high-output current buffer after the FDA.



**Figure 3. Using Buffer to Improve the Output Current Sink/Source Capability of TMS4130**

In composite loop scenario, the best qualities of both amplifiers are combined together to achieve the performance: FDA and current-output buffer. TMS4130 has output current capability of 55 mA. To improve this limit, a current buffer TMS6022 can be used. The input resistance for the circuit should be equal to Thevenin equivalent resistance ( $R_{th}$ ) of 8 AFEs i.e. 3.9  $\Omega$ .

The external voltage  $V_{ext}$  helps in setting the common-mode voltage  $V_{ocm}$ , so that the AFE output does not get loaded. The value of  $R_2$  is decided based on the gain value required in I-to-V stage.

$$\text{Gain of I-to-V Stage} = \frac{R_2}{R_{th}} \quad (2)$$

The value of  $R_1$  can be calculated using [Equation 3](#).

$$V_{ocm \text{ of AFE}} = \left( \frac{R_2}{R_1 + R_2} \right) \times V_{ext} \quad (3)$$

Let  $V_{ext} = 2.5 \text{ V}$ ,  $V_{ocm} = 0.9 \text{ V}$  for AFE5816 and  $R_2 = 39 \text{ } \Omega$  for gain of I-to-V stage as 10V/V, the value of  $R_1$  can be calculated as 69.3  $\Omega$ .

[Figure 4](#) through [Figure 7](#) show the simulation circuit and results in TINA-TI.

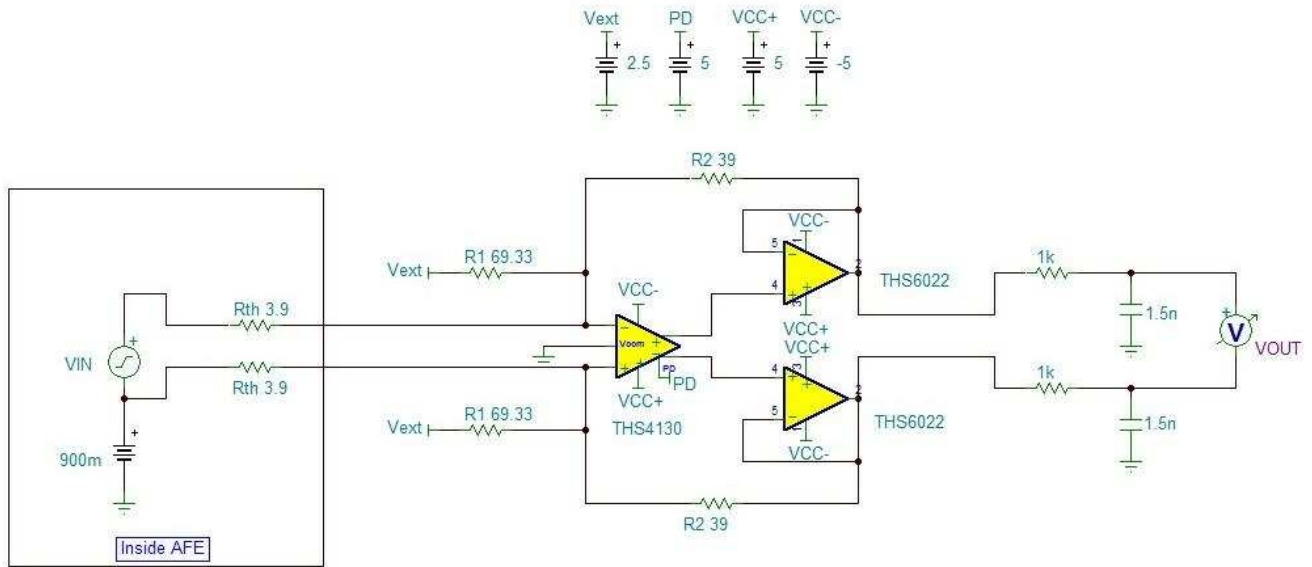


Figure 4. TINA Simulation for Circuit Using Buffer to Improve the Output Current Sink/Source Capability of THS4130

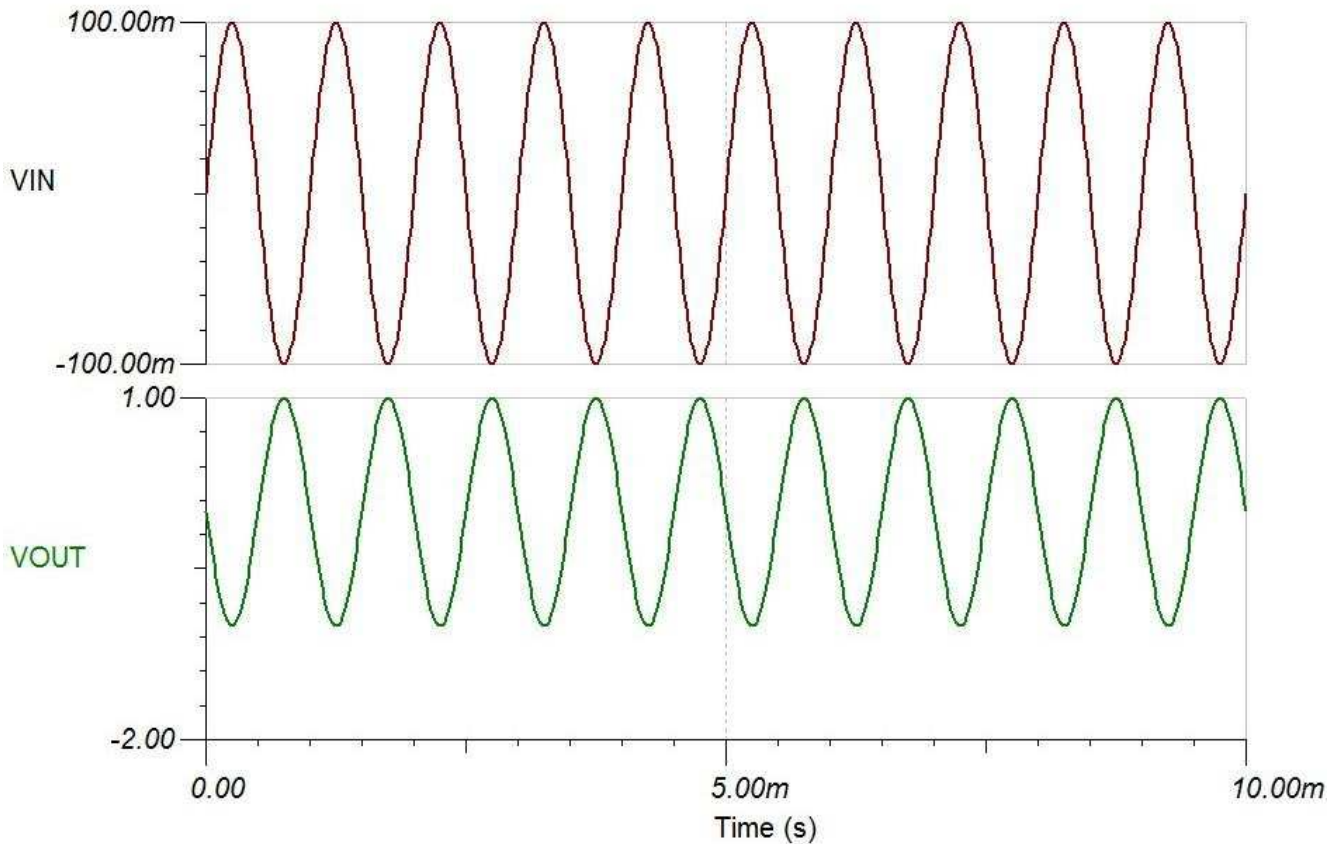
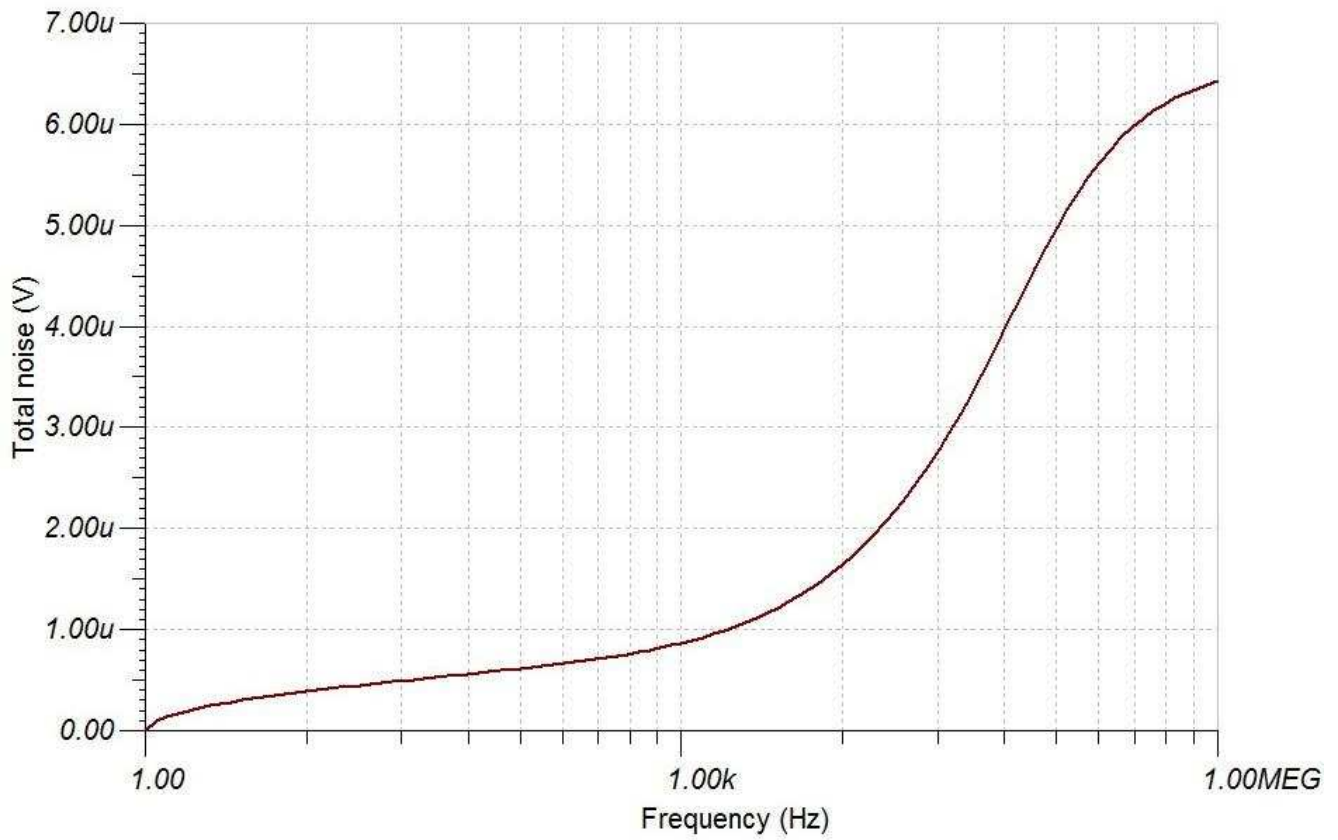
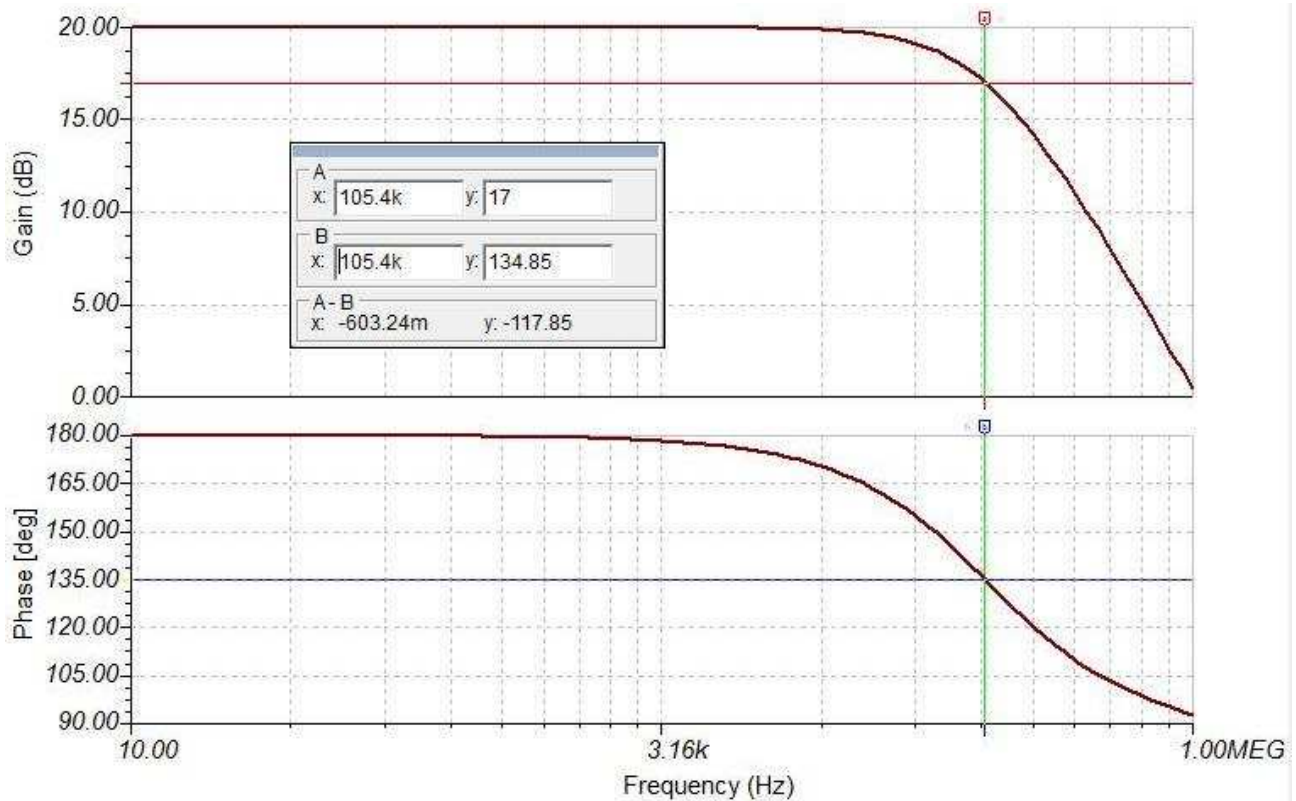


Figure 5. Output Waveform for Circuit Using Buffer



**Figure 6. Noise Analysis**





**Figure 7. Frequency Response**

This becomes a truly scalable solution for lower to higher number of channels without increasing the number of components in the input summing stage. To support higher number of channels the designer needs to change R1, R2 and the Buffer device (if the current limit exceeds) according to the number of channels.

## 2 Summary

Creating a composite loop using FDA and the high-current buffer helps to achieve better performance (nonlinearity from PCB is reduced, parasitic effects reduced) using lower cost, less bill of material (BoM) and space

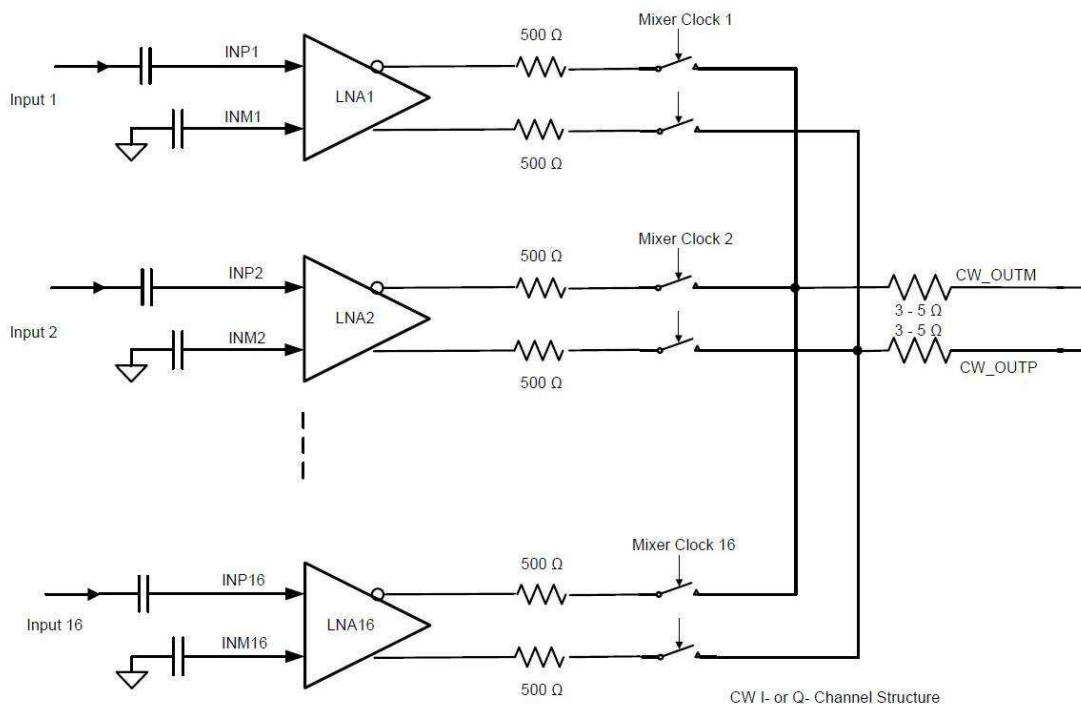
## 3 References

- [High-Resolution, High-SNR True Raw Data Conversion Reference Design for Ultrasound CW Doppler](#)
- [THS4551 Low Noise, Precision, 150 MHz, Fully Differential Amplifier](#)
- [THS4130 Fully Differential Input/Output Low Noise Amplifier With Shutdown](#)
- [THS6022 250-mA Dual Differential Line Driver](#)
- [THS6012 500-mA Dual Differential Line Driver](#)
- [AFE5816 Fully-Integrated, 16-Channel Ultrasound Analog Front-End With Passive CW Mixer, 0.95nV/rtHz](#)
- [AFE5816 16-Channel Ultrasound AFE With 90-mW/Channel Power, 1-nV/√Hz Noise, 14-Bit, 65-MSPS or 12-Bit, 80-MSPS ADC and Passive CW Mixer Data Sheet](#)

## Calculation of the Output Current Signal

### A.1 Calculation of the Output Current Signal

Note that all the figures and values in this section are taken from the [AFE5816 16-Channel Ultrasound AFE With 90-mW/Channel Power, 1-nV/√Hz Noise, 14-Bit, 65-MSPS or 12-Bit, 80-MSPS ADC and Passive CW Mixer Data Sheet](#).



NOTE: The 3-Ω to 6-Ω resistors at CW\_OUTP and CW\_OUTM result from the internal device routing and can create a slight attenuation in the signal.

**Figure 8. A Circuit Representation of I-Phase or Q-Phase Channel**

As per the [AFE5816 16-Channel Ultrasound AFE With 90-mW/Channel Power, 1-nV/√Hz Noise, 14-Bit, 65-MSPS or 12-Bit, 80-MSPS ADC and Passive CW Mixer Data Sheet](#),  $V_{MAX\_CW}$  at the input of LNA = 300 mVp-p. The LNA gain is 18 dB (=7.94) and the mixer attenuation is 4 dB (=0.63).

$$V_{MAX\_CW\_OUT} = 300 \text{ mV} * 7.94 * 0.63 = 1.5 \text{ Vp-p (differential per channel)}$$

The output current  $I = (1.5 \text{ Vp-p}/500) = 3 \text{ mA p-p differential per channel} = 1.5 \text{ mA p-p single-ended per channel} = 0.75 \text{ mA peak per channel}$ .

Table 2 shows the total summed output for multiple channel configurations.



**Table 2. Total Summed Output Current for Multiple Channel Configurations**

Number of Channels	Total Summed Output Current (mA peak per channel)
16	$0.75 * 16 = 12$
32	$0.75 * 32 = 24$
64	$0.75 * 64 = 48$
96	$0.75 * 96 = 72$
128	$0.75 * 128 = 96$
192	$0.75 * 192 = 144$
256	$0.75 * 256 = 192$

## IMPORTANT NOTICE FOR TI DESIGN INFORMATION AND RESOURCES

Texas Instruments Incorporated ("TI") technical, application or other design advice, services or information, including, but not limited to, reference designs and materials relating to evaluation modules, (collectively, "TI Resources") are intended to assist designers who are developing applications that incorporate TI products; by downloading, accessing or using any particular TI Resource in any way, you (individually or, if you are acting on behalf of a company, your company) agree to use it solely for this purpose and subject to the terms of this Notice.

TI's provision of TI Resources does not expand or otherwise alter TI's applicable published warranties or warranty disclaimers for TI products, and no additional obligations or liabilities arise from TI providing such TI Resources. TI reserves the right to make corrections, enhancements, improvements and other changes to its TI Resources.

You understand and agree that you remain responsible for using your independent analysis, evaluation and judgment in designing your applications and that you have full and exclusive responsibility to assure the safety of your applications and compliance of your applications (and of all TI products used in or for your applications) with all applicable regulations, laws and other applicable requirements. You represent that, with respect to your applications, you have all the necessary expertise to create and implement safeguards that (1) anticipate dangerous consequences of failures, (2) monitor failures and their consequences, and (3) lessen the likelihood of failures that might cause harm and take appropriate actions. You agree that prior to using or distributing any applications that include TI products, you will thoroughly test such applications and the functionality of such TI products as used in such applications. TI has not conducted any testing other than that specifically described in the published documentation for a particular TI Resource.

You are authorized to use, copy and modify any individual TI Resource only in connection with the development of applications that include the TI product(s) identified in such TI Resource. NO OTHER LICENSE, EXPRESS OR IMPLIED, BY ESTOPPEL OR OTHERWISE TO ANY OTHER TI INTELLECTUAL PROPERTY RIGHT, AND NO LICENSE TO ANY TECHNOLOGY OR INTELLECTUAL PROPERTY RIGHT OF TI OR ANY THIRD PARTY IS GRANTED HEREIN, including but not limited to any patent right, copyright, mask work right, or other intellectual property right relating to any combination, machine, or process in which TI products or services are used. Information regarding or referencing third-party products or services does not constitute a license to use such products or services, or a warranty or endorsement thereof. Use of TI Resources may require a license from a third party under the patents or other intellectual property of the third party, or a license from TI under the patents or other intellectual property of TI.

TI RESOURCES ARE PROVIDED "AS IS" AND WITH ALL FAULTS. TI DISCLAIMS ALL OTHER WARRANTIES OR REPRESENTATIONS, EXPRESS OR IMPLIED, REGARDING TI RESOURCES OR USE THEREOF, INCLUDING BUT NOT LIMITED TO ACCURACY OR COMPLETENESS, TITLE, ANY EPIDEMIC FAILURE WARRANTY AND ANY IMPLIED WARRANTIES OF MERCHANTABILITY, FITNESS FOR A PARTICULAR PURPOSE, AND NON-INFRINGEMENT OF ANY THIRD PARTY INTELLECTUAL PROPERTY RIGHTS.

TI SHALL NOT BE LIABLE FOR AND SHALL NOT DEFEND OR INDEMNIFY YOU AGAINST ANY CLAIM, INCLUDING BUT NOT LIMITED TO ANY INFRINGEMENT CLAIM THAT RELATES TO OR IS BASED ON ANY COMBINATION OF PRODUCTS EVEN IF DESCRIBED IN TI RESOURCES OR OTHERWISE. IN NO EVENT SHALL TI BE LIABLE FOR ANY ACTUAL, DIRECT, SPECIAL, COLLATERAL, INDIRECT, PUNITIVE, INCIDENTAL, CONSEQUENTIAL OR EXEMPLARY DAMAGES IN CONNECTION WITH OR ARISING OUT OF TI RESOURCES OR USE THEREOF, AND REGARDLESS OF WHETHER TI HAS BEEN ADVISED OF THE POSSIBILITY OF SUCH DAMAGES.

You agree to fully indemnify TI and its representatives against any damages, costs, losses, and/or liabilities arising out of your non-compliance with the terms and provisions of this Notice.

This Notice applies to TI Resources. Additional terms apply to the use and purchase of certain types of materials, TI products and services. These include; without limitation, TI's standard terms for semiconductor products (<http://www.ti.com/sc/docs/stdterms.htm>), [evaluation modules](#), and [samples](http://www.ti.com/sc/docs/sampterm.htm) (<http://www.ti.com/sc/docs/sampterm.htm>).

Mailing Address: Texas Instruments, Post Office Box 655303, Dallas, Texas 75265  
Copyright © 2017, Texas Instruments Incorporated