

IGBT DRIVE USING MOSFET GATE DRIVERS

ABSTRACT

Insulated gate bipolar transistors (IGBTs) are gaining considerable use in circuits requiring high voltage and current at moderate switching frequencies up to 100 kHz. Typically these circuits are in motor drive, Uninterruptible Power Supply (UPS), Solar and other similar inverter applications. Much of the IGBTs popularity stems from its simple MOSFET-like gate drive requirement. In comparison to bipolar transistors (BJTs) which were formally used in such designs, the IGBT offers a considerable reduction in both size and complexity of the drive circuitry as highlighted in [Table 1](#). Modern IGBTs have the switching speed suitable for power supply applications, thus IGBTs will compete with MOSFETs for certain high voltage applications as well. Many designers have therefore turned to MOSFET drivers such as [UCC2753x](#) and [UCC53xx](#) for their IGBT drive requirements.

Table 1. IGBT comparison

Characteristic	BJT	FET	IGBT
Power Rating	<10 kW	<10 kW	>10 kW
Drive	20uA	7 - 12V	15 - 20V
Switching Speed	Slow	Fast	Medium

Contents

1	IGBT drive requirements.....	1
2	Kelvin Connection	2
3	Negative Turn-Off Bias.....	2
4	Isolated IGBT Driver	3

List of Figures

1	Miller Turn-On	2
2	IGBT Bipolar Supply with Level Shifter	3
3	UCC5390SCDEVM-010 Simplified Schematic.....	4

List of Tables

1	IGBT comparison	1
---	-----------------------	---

Trademarks

All trademarks are the property of their respective owners.

1 IGBT drive requirements

IGBT drive requirements can be divided into two basic application categories: 1) Those that apply high dv/dt to the collector/emitter of the IGBT when it is off and 2) Those that do not. Examples of low dv/dt can be found in non-synchronous buck regulators and two switch forward converters, where only one switch is employed or multiple switches are activated synchronously in a bridge configuration. High dv/dt is applied during the off-state in most bridge circuits such as inverters and motor controllers, when opposing devices are turned on. Simultaneous cross conduction, or shoot through of opposing devices can occur in such

bridge circuits, often with catastrophic results if proper gate drive and layout precautions are not followed. This behavior is caused by parasitic collector to gate (miller) capacitance, effectively forming a capacitive divider with the gate to emitter capacitance and thus inducing a gate to emitter voltage as illustrated in Figure 1. Further information on IGBT drive requirements can be found in, [SLUA618, Fundamentals of MOSFET and IGBT Gate Driver Circuits](#).

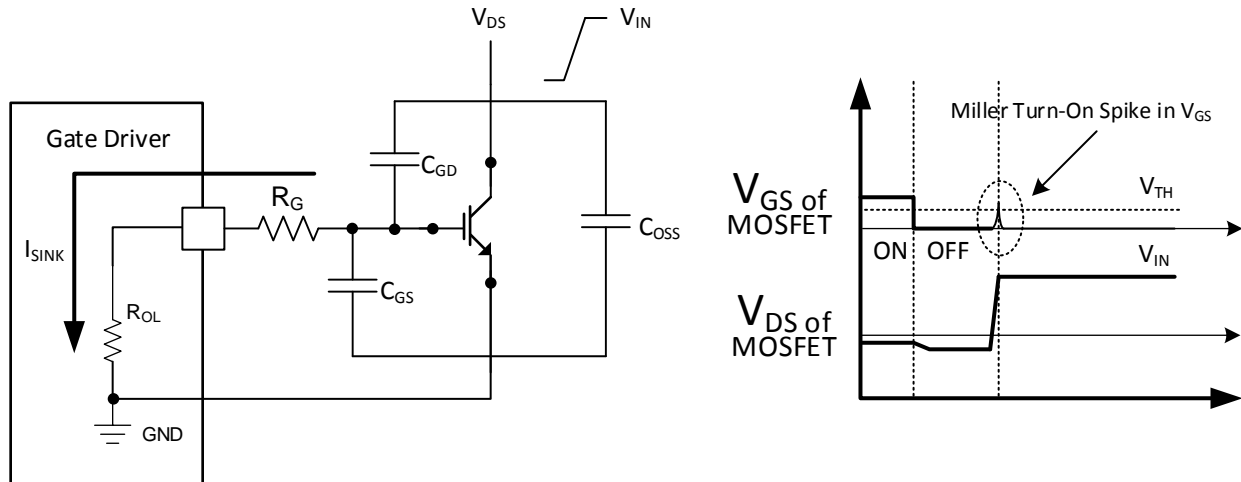


Figure 1. Miller Turn-On

When high off-state dv/dt is not present, the IGBT can be driven like a MOSFET using any of the gate drive circuits from switching power supplies. Normally 15V is applied gate to emitter during the on-state to minimize saturation voltage. The gate resistor or gate drive current directly controls IGBT turn-on, however turn-off is partially governed by minority carrier behavior and is less effected by gate drive.

2 Kelvin Connection

There are several techniques which can be employed to eliminate shoot through when high off-state dv/dt is present. The most important technique, which should always be employed, is a Kelvin connection between the IGBT emitter and the driver's ground. High di/dt present in the emitter circuit can cause substantial transient voltages to develop in the gate drive circuit if it is not properly referenced. The Kelvin drive connection also minimizes the effective driver impedance for maximum attenuation of the dv/dt induced gate voltage.

A Kelvin connection adds complication to driving multiple ground referenced IGBTs due to finite ground circuit impedance. Substantial voltages may develop across the ground impedance during switching. This ground bounce on power ground requires the gate driver to have a level shifter or isolation to reference the input signal properly allowing Kelvin drive circuit connections.

3 Negative Turn-Off Bias

A Kelvin connected unipolar driver may often be adequate at lower switching speeds, however negative gate bias must be applied during the off-state to utilize the IGBT at higher rates. This becomes apparent considering that the gate to emitter threshold voltage drops to approximately 1.4 V at high temperature due to negative temperature coefficient. With high dv/dt at the collector, a very low and impractical drive impedance is required to assure that the device remains off. By utilizing a negative turn-off bias, an adequate voltage margin is easily achieved, allowing the use of a more practical gate drive impedance. Fortunately most gate drivers have sufficient voltage capability to be used with bipolar power supplies. The UCC2753x shown in Figure 2 can sink up to 5 amps peak and is particularly suited to driving IGBTs. For added reliability during power sequencing a low VDD clamp turns off the output, actively sinking current when insufficient supply voltage is present. The positive supply, +Vcc, is normally 15 to 20 volts and the negative supply, -VEE, typically ranges between -5 and -15 volts depending on circuit conditions. Texas Instruments has the UCC2753x and UCC53xx families featuring strong sink current to defeat miller turn on and the ability to drive IGBTs or MOSFETs up to 35V max supporting negative turn off capability.

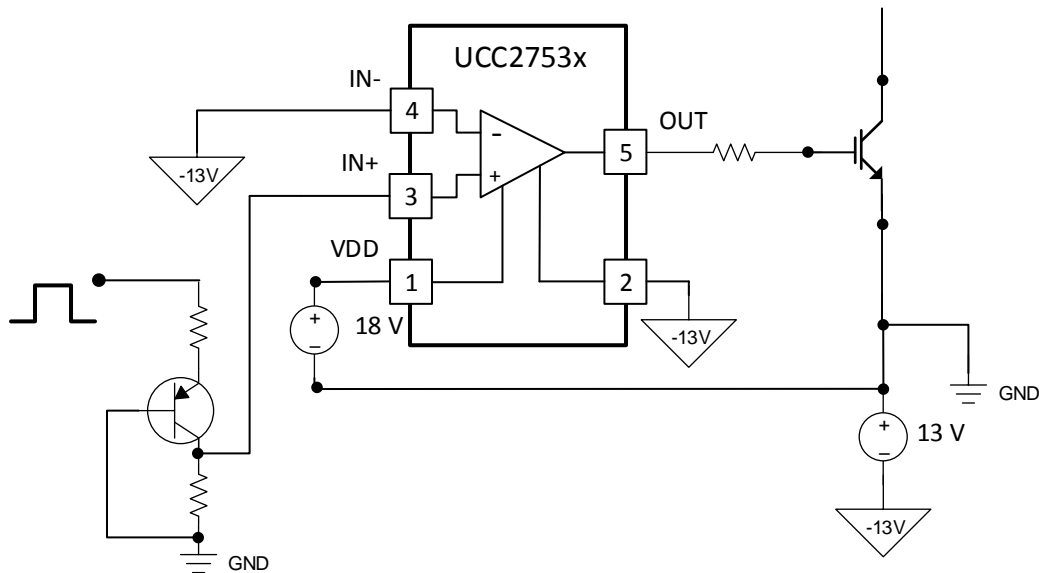


Figure 2. IGBT Bipolar Supply with Level Shifter

A PNP level shift circuit references the drive signal to ground. Opto-couplers are also commonly employed, and may be interfaced directly to the gate driver by referencing the signal to the negative supply. Note that high dv/dt is a very demanding application for optocouplers, and only devices rated for high CMRR should be used such as UCC53xx isolated gate drivers.

4 Isolated IGBT Driver

A bipolar IGBT gate driver with isolated bias supply can be implemented using the UCC53xx isolated gate driver as featured in [UCC5390SCDEVM-010](#) shown in [Figure 3](#). The UCC53xx transmits the gate drive signal across the isolation barrier and SN6505B transmits power across a push pull transformer, thereby achieving low cost and high voltage isolation in a compact solution. An additional transformer winding develops a negative voltage, providing a bipolar supply for the UCC53xx. The UCC53xx can also be used for circuits which do not require negative turn-off bias by simply eliminating the negative supply and using a positive isolated bias to drive the IGBT gate.

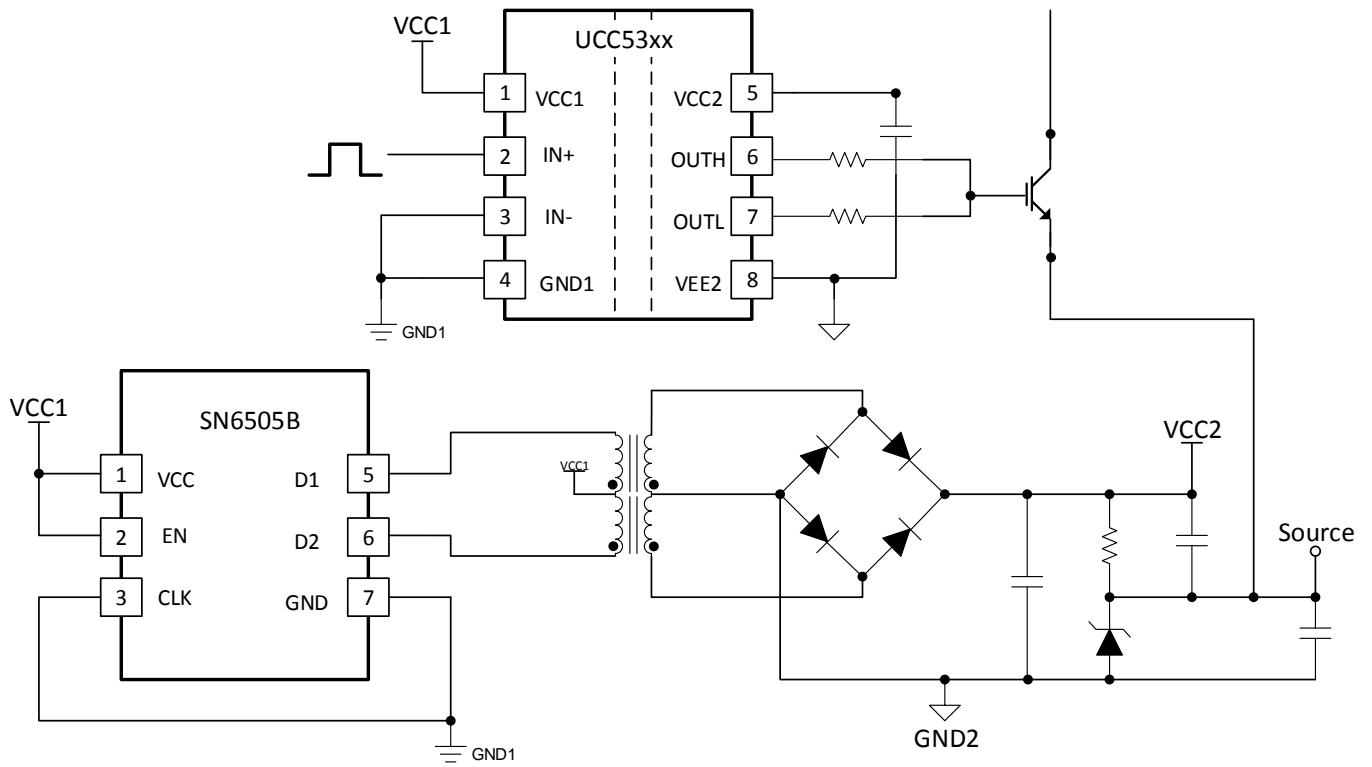


Figure 3. UCC5390SCDEVM-010 Simplified Schematic

Revision History

NOTE: Page numbers for previous revisions may differ from page numbers in the current version.

Changes from original Revision (March 2013) to A Revision	Page
• Added Updated figure for IGBT Miller Turn-On	2
• Added Level Shift input and negative bias for UCC2753x driving IGBT	3
• Added Isolated Gate Driver with Isolated negative bias for UCC5390SCDEVM driving IGBT	4

IMPORTANT NOTICE FOR TI DESIGN INFORMATION AND RESOURCES

Texas Instruments Incorporated ("TI") technical, application or other design advice, services or information, including, but not limited to, reference designs and materials relating to evaluation modules, (collectively, "TI Resources") are intended to assist designers who are developing applications that incorporate TI products; by downloading, accessing or using any particular TI Resource in any way, you (individually or, if you are acting on behalf of a company, your company) agree to use it solely for this purpose and subject to the terms of this Notice.

TI's provision of TI Resources does not expand or otherwise alter TI's applicable published warranties or warranty disclaimers for TI products, and no additional obligations or liabilities arise from TI providing such TI Resources. TI reserves the right to make corrections, enhancements, improvements and other changes to its TI Resources.

You understand and agree that you remain responsible for using your independent analysis, evaluation and judgment in designing your applications and that you have full and exclusive responsibility to assure the safety of your applications and compliance of your applications (and of all TI products used in or for your applications) with all applicable regulations, laws and other applicable requirements. You represent that, with respect to your applications, you have all the necessary expertise to create and implement safeguards that (1) anticipate dangerous consequences of failures, (2) monitor failures and their consequences, and (3) lessen the likelihood of failures that might cause harm and take appropriate actions. You agree that prior to using or distributing any applications that include TI products, you will thoroughly test such applications and the functionality of such TI products as used in such applications. TI has not conducted any testing other than that specifically described in the published documentation for a particular TI Resource.

You are authorized to use, copy and modify any individual TI Resource only in connection with the development of applications that include the TI product(s) identified in such TI Resource. NO OTHER LICENSE, EXPRESS OR IMPLIED, BY ESTOPPEL OR OTHERWISE TO ANY OTHER TI INTELLECTUAL PROPERTY RIGHT, AND NO LICENSE TO ANY TECHNOLOGY OR INTELLECTUAL PROPERTY RIGHT OF TI OR ANY THIRD PARTY IS GRANTED HEREIN, including but not limited to any patent right, copyright, mask work right, or other intellectual property right relating to any combination, machine, or process in which TI products or services are used. Information regarding or referencing third-party products or services does not constitute a license to use such products or services, or a warranty or endorsement thereof. Use of TI Resources may require a license from a third party under the patents or other intellectual property of the third party, or a license from TI under the patents or other intellectual property of TI.

TI RESOURCES ARE PROVIDED "AS IS" AND WITH ALL FAULTS. TI DISCLAIMS ALL OTHER WARRANTIES OR REPRESENTATIONS, EXPRESS OR IMPLIED, REGARDING TI RESOURCES OR USE THEREOF, INCLUDING BUT NOT LIMITED TO ACCURACY OR COMPLETENESS, TITLE, ANY EPIDEMIC FAILURE WARRANTY AND ANY IMPLIED WARRANTIES OF MERCHANTABILITY, FITNESS FOR A PARTICULAR PURPOSE, AND NON-INFRINGEMENT OF ANY THIRD PARTY INTELLECTUAL PROPERTY RIGHTS.

TI SHALL NOT BE LIABLE FOR AND SHALL NOT DEFEND OR INDEMNIFY YOU AGAINST ANY CLAIM, INCLUDING BUT NOT LIMITED TO ANY INFRINGEMENT CLAIM THAT RELATES TO OR IS BASED ON ANY COMBINATION OF PRODUCTS EVEN IF DESCRIBED IN TI RESOURCES OR OTHERWISE. IN NO EVENT SHALL TI BE LIABLE FOR ANY ACTUAL, DIRECT, SPECIAL, COLLATERAL, INDIRECT, PUNITIVE, INCIDENTAL, CONSEQUENTIAL OR EXEMPLARY DAMAGES IN CONNECTION WITH OR ARISING OUT OF TI RESOURCES OR USE THEREOF, AND REGARDLESS OF WHETHER TI HAS BEEN ADVISED OF THE POSSIBILITY OF SUCH DAMAGES.

You agree to fully indemnify TI and its representatives against any damages, costs, losses, and/or liabilities arising out of your non-compliance with the terms and provisions of this Notice.

This Notice applies to TI Resources. Additional terms apply to the use and purchase of certain types of materials, TI products and services. These include; without limitation, TI's standard terms for semiconductor products (<http://www.ti.com/sc/docs/stdterms.htm>), [evaluation modules](#), and [samples](http://www.ti.com/sc/docs/sampterm.htm) (<http://www.ti.com/sc/docs/sampterm.htm>).

Mailing Address: Texas Instruments, Post Office Box 655303, Dallas, Texas 75265
Copyright © 2018, Texas Instruments Incorporated