

# Self-Powered, Ambient Light Sensor Using bq25504

Karthik Kadirvel and John Carpenter

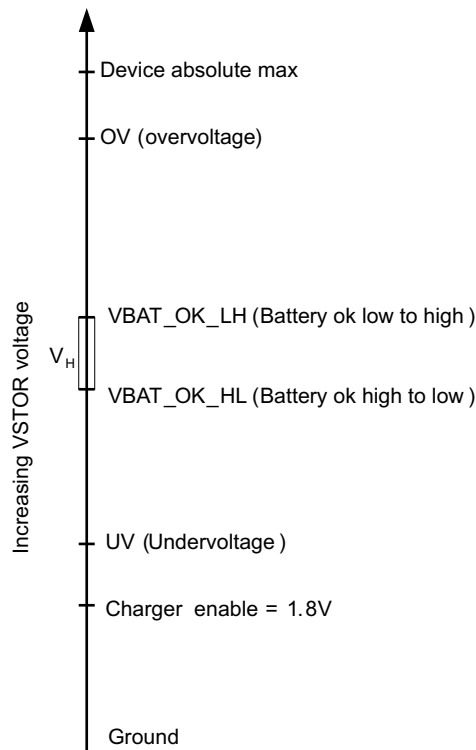
Battery Charge Management

## ABSTRACT

Ambient light sensors have become very common in portable electronics to adjust the brightness of the screen. These sensors automatically increase the screen brightness when a portable device, such as a cell phone, is used in sunlight and dims or turns off the display when the cell phone is placed next to the ear. In this application report, a proof-of-concept, self-powered, ambient light sensor is described which is powered by a solar cell. The solar cell is used to power the device and as a light sensor. The output of the described circuit is a square-wave pulse whose frequency is proportional to the light intensity. The circuit does not require a battery to operate and automatically starts itself when sufficient ambient light is on the sensor.

## 1 Introduction

The bq25504 is an ultralow-power charger integrated circuit (IC) intended for interfacing to dc sources like solar cells, thermal harvesters, and high-impedance batteries. Its industry-leading, low-quiescent current and high charger efficiency makes it an ideal choice for charging batteries and super-capacitors from a variety of energy harvesting sources. The IC has internal circuitry to manage the voltage across the storage element and to optimize the charging of the storage element.



**Figure 1. Critical Threshold Voltages and Their Relative Magnitudes**

For successfully extracting energy from the source, three different threshold voltages must be programmed using external resistors, namely the undervoltage (UV) threshold, battery-good threshold (VBAT\_OK) and overvoltage (OV) threshold. The three threshold voltages determine the region of operation of the IC. Figure 1 shows a plot of the voltage at the VSTOR pin (pin 15) and the various threshold voltages. Initially, the C<sub>STOR</sub> capacitor is charged by the low-efficiency, cold-start circuitry. When the C<sub>STOR</sub> capacitor is charged to 1.8 V, the main capacitor turns on. The C<sub>STOR</sub> capacitor voltage keeps rising and crosses the UV threshold at which point an internal switch between (VSTOR) pin 11 and (VBAT) pin 14 is turned on. For the application under consideration, this feature is not used. As charging continues, the C<sub>STOR</sub> capacitor reaches the VBAT\_OK<sub>LH</sub> threshold, and the VBAT\_OK signal goes high. Finally, when the C<sub>STOR</sub> capacitor reaches the overvoltage threshold, charging stops.

In the application, the VBAT\_OK<sub>LH</sub> and VBAT\_OK<sub>HL</sub> thresholds are designed to turn on and off an LED. The frequency of the LED turning on and off depends on the input power. Figure 2 shows a schematic of the circuit. It consists of the bq25504 IC, resistors to program the various thresholds, and the VBAT\_OK signal (pin 11) connected to a switch which can turn on and off an LED. The detailed operation of the circuit is discussed next.

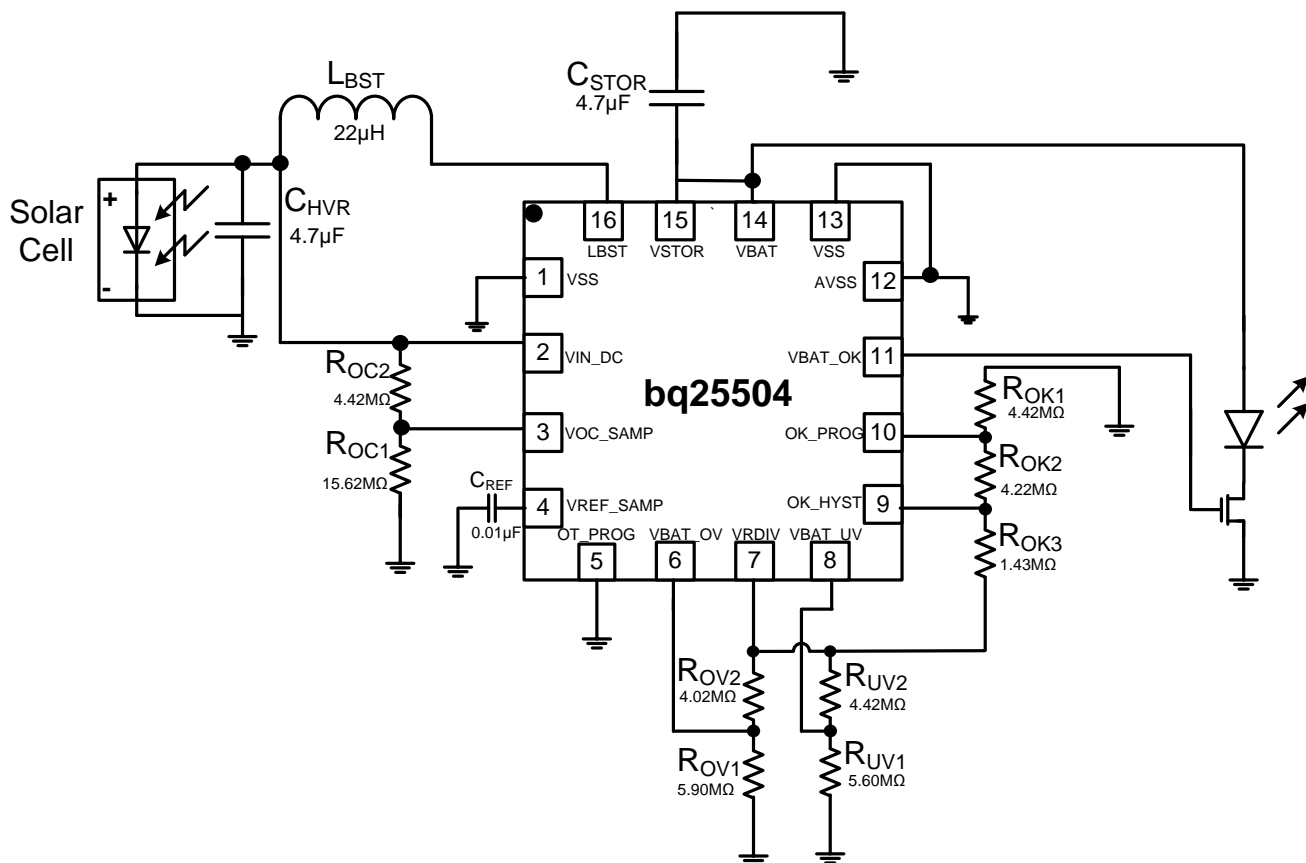


Figure 2. Schematic of bq25504 Circuit showing LED and External Switch

## 2 Principle of Operation

The working of the circuit is as follows. When sufficient light is on the solar panel, the circuit begins operation and charges the C<sub>STOR</sub> capacitor. When the C<sub>STOR</sub> capacitor reaches the VBAT\_OK (low to high) threshold, the VBAT\_OK signal goes high and the LED turns on. This applies a load on the C<sub>STOR</sub> capacitor, and the capacitor starts discharging. When the C<sub>STOR</sub> node reaches the VBAT\_OK (high to low) threshold, the VBAT\_OK signal goes low and the LED turns off. This removes the load on the C<sub>STOR</sub>

capacitor. At this time,  $C_{\text{STOR}}$  starts charging again and the process repeats. Figure 3 and Figure 4 show a theoretical plot of the voltage at the CSTOR and VBAT\_OK nodes for two different input light conditions. To determine the frequency of oscillation, the on-time and off-time of the VBAT\_OK signal are determined. The on-time,  $t_{\text{ON}}$ , is determined by the charging current,  $I_{\text{CHG}}$ , which is a function of the input power. It is given by the expression

$$t_{\text{ON}} = \frac{C_{\text{STOR}}V_{\text{H}}}{I_{\text{CHG}}} \quad (1)$$

$V_{\text{H}}$  represents the hysteresis voltage and is the difference between the VBAT\_OK (low to high) and VBAT\_OK (high to low) voltage.

The off-time  $t_{\text{OFF}}$  is determined by the LED current,  $I_{\text{LED}}$ , and is given by the expression

$$t_{\text{OFF}} = \frac{C_{\text{STOR}}V_{\text{H}}}{I_{\text{LED}}} \quad (2)$$

The frequency of oscillation is given by the expression

$$f = \frac{1}{t_{\text{ON}} + t_{\text{OFF}}} \quad (3)$$

For a typical input source, such as a single solar cell, the charging current is much lower than the LED current, i.e.,

$$I_{\text{CHG}} \ll I_{\text{LED}} \quad (4)$$

Using the preceding equations, it can be shown that

$$f = \frac{I_{\text{CHG}}}{C_{\text{STOR}}V_{\text{H}}} \quad (5)$$

The charging current is directly proportional to the input power (i.e.,  $I_{\text{CHG}} \propto P_{\text{in}}$ ). Thus,  $f \propto P_{\text{in}}$ .

From the preceding expression, it can be seen that as the input power increases, the frequency of oscillation increases, thus providing a measure of the light intensity.

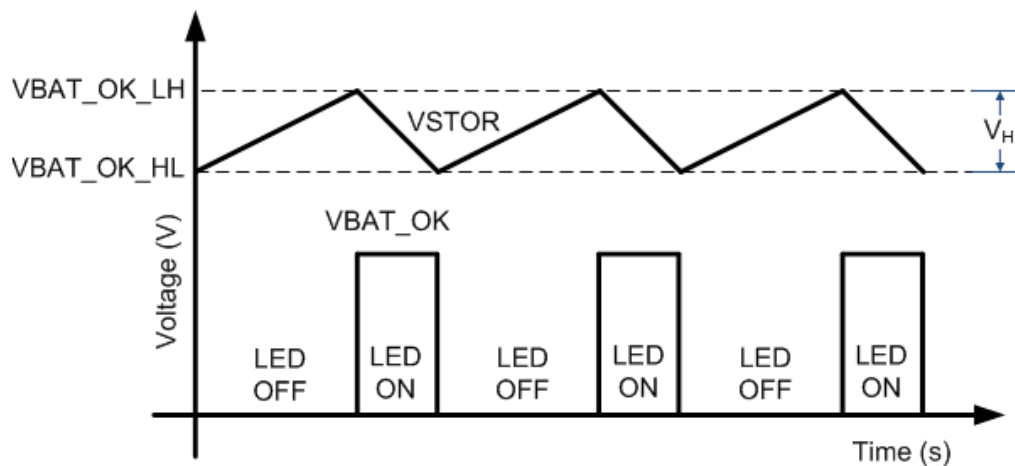
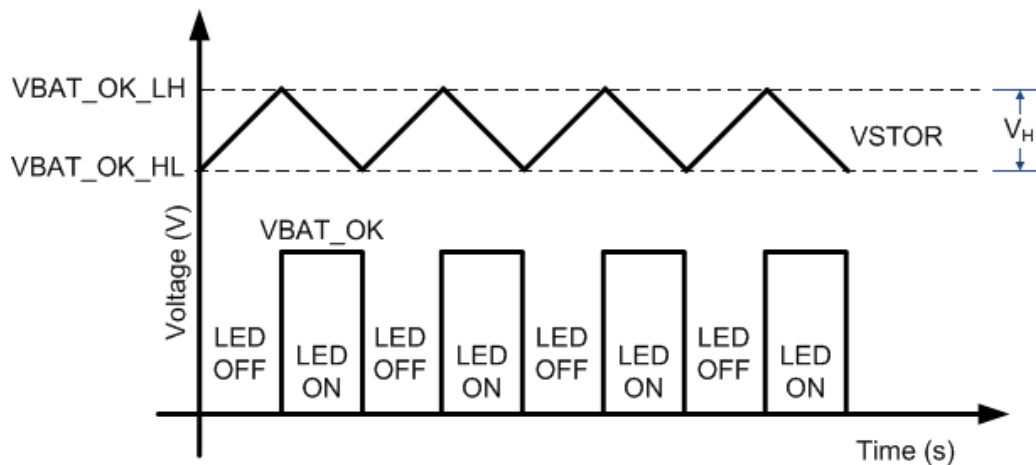


Figure 3. Theoretical Plot of VSTOR and VBAT\_OK in Low-Power (Low-Light) Conditions



**Figure 4. Theoretical Plot of VSTOR and VBAT\_OK in High-Power (Bright-Light) Conditions**

### 3 Design Considerations

The main design consideration in this solution is the selection of the LED, hysteresis voltage, and  $C_{STOR}$  capacitance. From the data sheet, the minimum  $C_{STOR}$  is 4.7  $\mu\text{F}$ . The hysteresis voltage ( $V_H$ ) is set by the resistors  $R_{OK1}$ ,  $R_{OK2}$ , and  $R_{OK3}$ . The VBAT\_OK (low to high), VBAT\_OK<sub>LH</sub>, and VBAT\_OK<sub>HL</sub> voltages which represent the higher and lower thresholds of the hysteresis voltage are given by the expressions

$$VBAT\_OK_{LH} = 1.23 \left( 1 + \frac{R_{OK2} + R_{OK3}}{R_{OK1}} \right) \quad (6)$$

and

$$VBAT\_OK_{HL} = 1.23 \left( 1 + \frac{R_{OK2}}{R_{OK1}} \right) \quad (7)$$

respectively. By choosing the appropriate resistor values, various ranges of frequencies can be obtained.

### 4 Experimental Results

The circuit shown in [Figure 2](#) was designed and tested. For this test, a fluorescent light was chosen as the light source. An IXYS solar panel (XOB17-12x) was chosen to harvest the light energy. The key waveforms are shown in [Figure 5](#). The VSTOR node has a saw-tooth waveform corresponding to the charging and discharging of the  $C_{STOR}$  capacitor, and the VBAT\_OK node has a square wave with a frequency that is proportional to the input light. The frequency of oscillation is 1.25 Hz, corresponding to a measured input light intensity of 300 lux.

### 5 Summary

By using the circuit shown in [Figure 2](#), designers can quickly evaluate the ambient light conditions and response of different photovoltaic panels to varying ambient conditions. Other applications of the circuit include demonstration of the effect of shading, maximum power point tracking, and different light sources on system performance. Lastly, the circuit demonstrate flexibility and can serve as a platform to evaluate other energy sources.



Figure 5. Scope Plot

## 6 References

1. *bq25504, Ultra Low Power Boost Converter with Battery Management for Energy Harvester Applications* data sheet ([SLUSAH0](#))
2. *bq25504 EVM - Ultra Low Power Boost Converter with Battery Management for Energy Harvester Applications* user's guide ([SLUU654](#))

## IMPORTANT NOTICE

Texas Instruments Incorporated and its subsidiaries (TI) reserve the right to make corrections, enhancements, improvements and other changes to its semiconductor products and services per JESD46, latest issue, and to discontinue any product or service per JESD48, latest issue. Buyers should obtain the latest relevant information before placing orders and should verify that such information is current and complete. All semiconductor products (also referred to herein as "components") are sold subject to TI's terms and conditions of sale supplied at the time of order acknowledgment.

TI warrants performance of its components to the specifications applicable at the time of sale, in accordance with the warranty in TI's terms and conditions of sale of semiconductor products. Testing and other quality control techniques are used to the extent TI deems necessary to support this warranty. Except where mandated by applicable law, testing of all parameters of each component is not necessarily performed.

TI assumes no liability for applications assistance or the design of Buyers' products. Buyers are responsible for their products and applications using TI components. To minimize the risks associated with Buyers' products and applications, Buyers should provide adequate design and operating safeguards.

TI does not warrant or represent that any license, either express or implied, is granted under any patent right, copyright, mask work right, or other intellectual property right relating to any combination, machine, or process in which TI components or services are used. Information published by TI regarding third-party products or services does not constitute a license to use such products or services or a warranty or endorsement thereof. Use of such information may require a license from a third party under the patents or other intellectual property of the third party, or a license from TI under the patents or other intellectual property of TI.

Reproduction of significant portions of TI information in TI data books or data sheets is permissible only if reproduction is without alteration and is accompanied by all associated warranties, conditions, limitations, and notices. TI is not responsible or liable for such altered documentation. Information of third parties may be subject to additional restrictions.

Resale of TI components or services with statements different from or beyond the parameters stated by TI for that component or service voids all express and any implied warranties for the associated TI component or service and is an unfair and deceptive business practice. TI is not responsible or liable for any such statements.

Buyer acknowledges and agrees that it is solely responsible for compliance with all legal, regulatory and safety-related requirements concerning its products, and any use of TI components in its applications, notwithstanding any applications-related information or support that may be provided by TI. Buyer represents and agrees that it has all the necessary expertise to create and implement safeguards which anticipate dangerous consequences of failures, monitor failures and their consequences, lessen the likelihood of failures that might cause harm and take appropriate remedial actions. Buyer will fully indemnify TI and its representatives against any damages arising out of the use of any TI components in safety-critical applications.

In some cases, TI components may be promoted specifically to facilitate safety-related applications. With such components, TI's goal is to help enable customers to design and create their own end-product solutions that meet applicable functional safety standards and requirements. Nonetheless, such components are subject to these terms.

No TI components are authorized for use in FDA Class III (or similar life-critical medical equipment) unless authorized officers of the parties have executed a special agreement specifically governing such use.

Only those TI components which TI has specifically designated as military grade or "enhanced plastic" are designed and intended for use in military/aerospace applications or environments. Buyer acknowledges and agrees that any military or aerospace use of TI components which have **not** been so designated is solely at the Buyer's risk, and that Buyer is solely responsible for compliance with all legal and regulatory requirements in connection with such use.

TI has specifically designated certain components as meeting ISO/TS16949 requirements, mainly for automotive use. In any case of use of non-designated products, TI will not be responsible for any failure to meet ISO/TS16949.

### Products

Audio	<a href="http://www.ti.com/audio">www.ti.com/audio</a>
Amplifiers	<a href="http://amplifier.ti.com">amplifier.ti.com</a>
Data Converters	<a href="http://dataconverter.ti.com">dataconverter.ti.com</a>
DLP® Products	<a href="http://www.dlp.com">www.dlp.com</a>
DSP	<a href="http://dsp.ti.com">dsp.ti.com</a>
Clocks and Timers	<a href="http://www.ti.com/clocks">www.ti.com/clocks</a>
Interface	<a href="http://interface.ti.com">interface.ti.com</a>
Logic	<a href="http://logic.ti.com">logic.ti.com</a>
Power Mgmt	<a href="http://power.ti.com">power.ti.com</a>
Microcontrollers	<a href="http://microcontroller.ti.com">microcontroller.ti.com</a>
RFID	<a href="http://www.ti-rfid.com">www.ti-rfid.com</a>
OMAP Applications Processors	<a href="http://www.ti.com/omap">www.ti.com/omap</a>
Wireless Connectivity	<a href="http://www.ti.com/wirelessconnectivity">www.ti.com/wirelessconnectivity</a>

### Applications

Automotive and Transportation	<a href="http://www.ti.com/automotive">www.ti.com/automotive</a>
Communications and Telecom	<a href="http://www.ti.com/communications">www.ti.com/communications</a>
Computers and Peripherals	<a href="http://www.ti.com/computers">www.ti.com/computers</a>
Consumer Electronics	<a href="http://www.ti.com/consumer-apps">www.ti.com/consumer-apps</a>
Energy and Lighting	<a href="http://www.ti.com/energy">www.ti.com/energy</a>
Industrial	<a href="http://www.ti.com/industrial">www.ti.com/industrial</a>
Medical	<a href="http://www.ti.com/medical">www.ti.com/medical</a>
Security	<a href="http://www.ti.com/security">www.ti.com/security</a>
Space, Avionics and Defense	<a href="http://www.ti.com/space-avionics-defense">www.ti.com/space-avionics-defense</a>
Video and Imaging	<a href="http://www.ti.com/video">www.ti.com/video</a>

### TI E2E Community

[e2e.ti.com](http://e2e.ti.com)