

# **UCC2897A Peak Current Mode Active-Clamp Forward Converter Small-Signal Modeling Design Consideration**

*Tony Huang*
*Power Management/Field Applications*

## **ABSTRACT**

UCC2897A is a peak current mode active-clamp controller. This paper discussed the modeling process and loop compensation for UCC2897A. An example has been implemented with the modeling and compensation.

### **Contents**

<b>1</b>	<b>UCC2897A Introduction:</b> .....	<b>1</b>
<b>2</b>	<b>Peak Current Mode Small-Signal Circuitry</b> .....	<b>2</b>
<b>3</b>	<b>Active Clamp Peak Current Modeling Analysis:</b> .....	<b>4</b>
<b>4</b>	<b>A Design Example:</b> .....	<b>7</b>
<b>5</b>	<b>Conclusion:</b> .....	<b>10</b>
	<b>Reference:</b> .....	<b>10</b>

## **FIGURES**

		..... <b>2</b>
<b>Figure 1.</b>	<b>UCC2897A Internal Block Diagram.</b>	<b>3</b>
<b>Figure 2.</b>	<b>Control Block for Peak Current Mode.</b>	<b>4</b>
<b>Figure 3.</b>	<b>Gain from Control to Inductor Current for Peak Current Mode</b>	<b>4</b>
<b>Figure 4.</b>	<b>Peak Current Mode Active Clamp Forward Converter Topology.</b>	<b>6</b>
<b>Figure 5.</b>	<b>The Peak current active clamp control block diagram.</b>	<b>7</b>
<b>Figure 6.</b>	<b>Small Signal Implementation from Control to Output.</b>	<b>7</b>
<b>Figure 7.</b>	<b>100-W Isolated Power Module with UCC2897A Device</b>	<b>8</b>
<b>Figure 8.</b>	<b>Overall Small Signal Circuitry Implementation</b>	<b>9</b>
<b>Figure 9.</b>	<b>Simulation Results.</b>	<b>10</b>
<b>Figure 10.</b>	<b>Lab Test Results (<math>V_{in} = 72</math>, <math>I_o = 30</math> A)</b>	<b>10</b>

## **1 UCC2897A Introduction:**

The UCC2897A PWM controller simplifies implementation of the various active clamp/reset and synchronous rectifier switching power topologies. The UCC2897A is peak current-mode, fixed frequency, high performance pulse width modulator. It includes the logic and the drive capability for the P-channel auxiliary switch along with a simple method of programming the critical delays for proper active clamp operation, as showed in Figure.1.

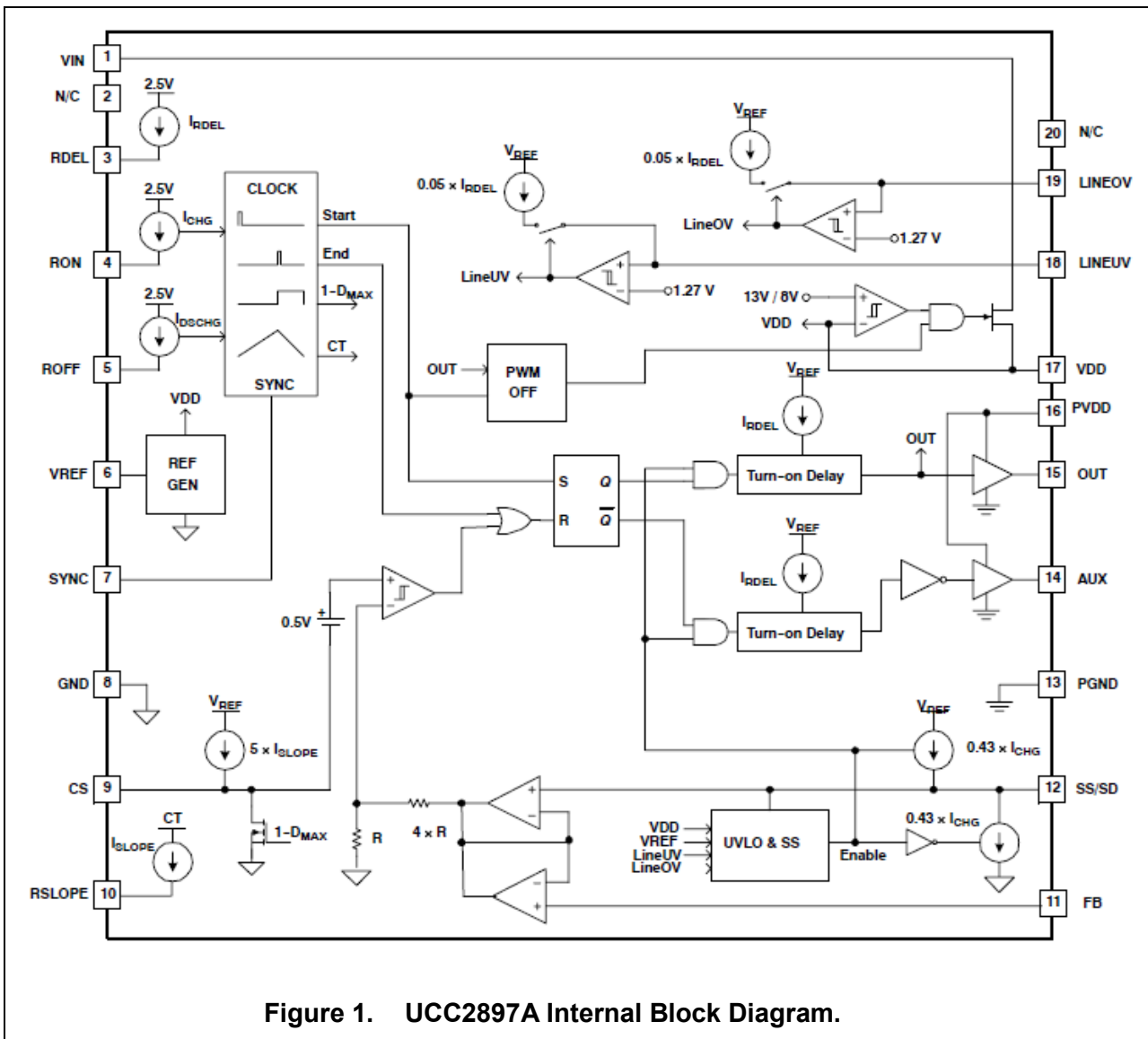


Figure 1. UCC2897A Internal Block Diagram.

## 2 Peak Current Mode Small-Signal Circuitry.

A peak current-mode converter, with continuous current mode, introduces a sampling-hold function, as shown in Equations 1 and 2. Figure 2 shows the control block for peak current-mode:

$$H_e(s) = \frac{1 - e^{-S \times t_{SW}}}{s \times t_{SW}} \approx \frac{1}{1 + \frac{s}{2/t_{SW}} + \frac{s^2}{\pi^2/t_{SW}^2}}; \tag{1}$$

$$H_{vi}(S) = \frac{I_L(S)}{V_I(S)} \approx \frac{D}{SL_m} \tag{2}$$

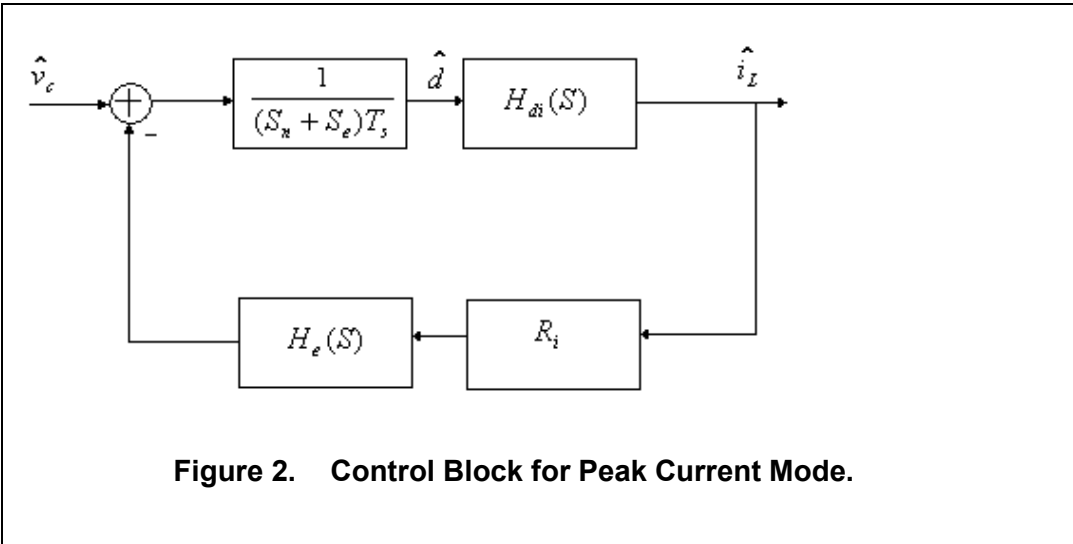


Figure 2. Control Block for Peak Current Mode.

Then, the gain from the error amplifier output to the inductor current can be got:

$$\frac{\hat{i}_L}{\hat{u}_c} = H(S) \quad (3)$$

$$H(S) \approx \frac{1}{R_i} \frac{1}{1 + S \left[ \frac{T_s L_m (S_n + S_e)}{V_I R_i} - \frac{T_s}{2} \right] + S^2 \frac{T_s^2}{\pi^2}} \quad (4)$$

Define two components as below:

$$\text{Resistor: } R_a = \frac{2L_m}{t_{sw} \left[ \frac{2(S_n + S_e)}{(S_n + S_f)} - 1 \right]}; \text{ and Capacitor: } C_a = \frac{t_{sw}^2}{\pi^2 L_m} \quad (5)$$

Where:

- $S_n$  is the rising rate.
- $S_f$  is the falling rate.
- $S_e$  is the slope compensation rate.

Hereby, the equivalent small signal model from control to inductor current can be obtained as shown in Figure 3.

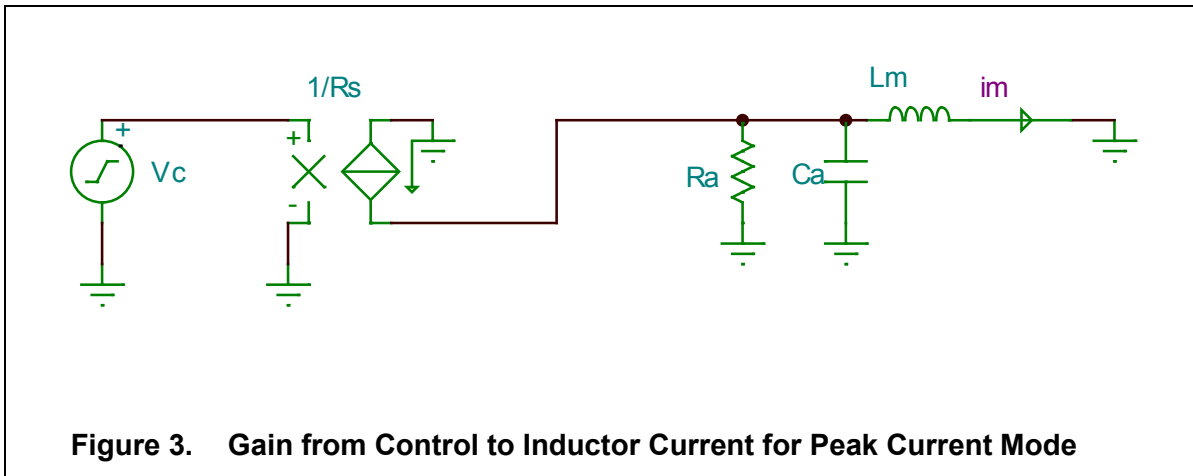


Figure 3. Gain from Control to Inductor Current for Peak Current Mode

### 3 Active Clamp Peak Current Modeling Analysis:

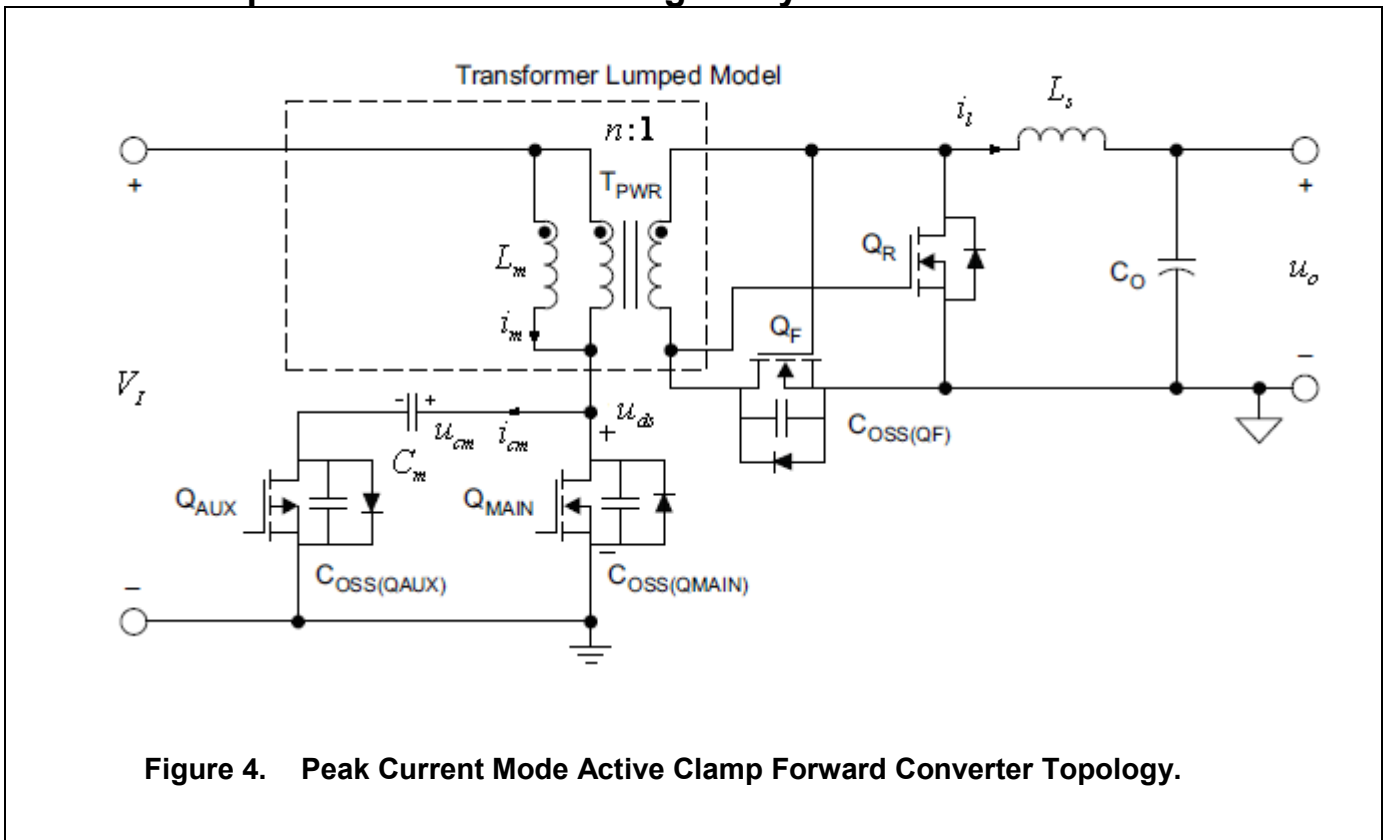


Figure 4. Peak Current Mode Active Clamp Forward Converter Topology.

The control to current gain function can be described in Equation 6:

$$\frac{\hat{u}_c}{R_s} \frac{1}{1 + \frac{S}{Q\omega_n} + \frac{S^2}{\omega_n^2}} = \hat{i}_m + \frac{\hat{i}_l}{n} \tag{6}$$

With the active-clamping topology,

$$S_n = \left( \frac{V_I}{L_m} + \frac{V_I - nV_o}{n^2 L_s} \right) R_s \quad (7)$$

$$S_f = \left( \frac{DV_I}{(1-D)L_m} + \frac{V_o}{nL_s} \right) R_s$$

$n$  is the transformer turn ratio between primary and secondary side windings.

$$\text{Therefore, } Q = \frac{1}{\pi \left( \frac{S_n + S_e}{S_n + S_f} - 0.5 \right)}; \omega_n = \frac{\pi}{T_{sw}} \quad (8)$$

The clamping circuitry modeling:

$$\langle i_{cm} \rangle = (1 - \langle d \rangle) \langle i_m \rangle; \langle i_{cm} \rangle = I_{cm} + \hat{i}_{cm}; \langle d \rangle = D + \hat{d}; \langle i_m \rangle = I_m + \hat{i}_m \quad (9)$$

Where:

- $\langle \rangle$  means the cycle average function.
- $\hat{\phantom{x}}$  means the perturbation element.
- $d$  is the duty cycle of the main switch;

Considering the magnetic operating in symmetrically, the average current  $I_c$  and  $I_m$  are zero.

$$\hat{i}_{cm} = (1 - D) \hat{i}_m \quad (10)$$

The Vds of MOSFET modeling:

$$\hat{u}_{ds} = -\frac{D}{(1-D)} V_{in} \hat{d} + (1-D) \hat{u}_{cm} \quad (11)$$

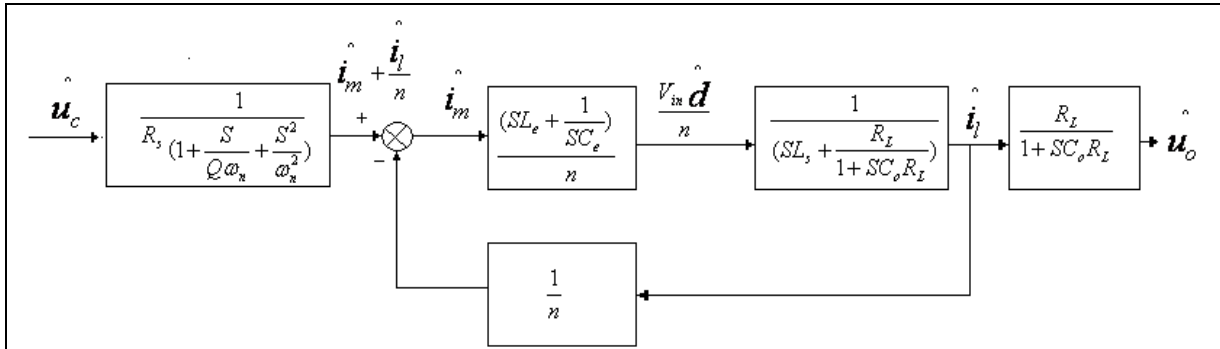
$$\text{And: } \hat{u}_{ds} = -S L_m \hat{i}_m; \hat{u}_{cm} = -\frac{1}{S C_m} \hat{i}_{cm} \quad (12)$$

$$\text{As result, } V_{in} \hat{d} = \left[ S \frac{(1-D)L_m}{D} + \frac{(1-D)^3}{S D C_m} \right] \hat{i}_m \quad (13)$$

$$\text{Define: } L_e = \frac{(1-D)}{D} L_m; C_e = \frac{D}{(1-D)^3} C_m \quad (14)$$

$$\text{Then: } \frac{V_{in} \hat{d}}{n} = \frac{(SL_e + \frac{1}{SC_e}) \hat{i}_m}{n}; \quad (15)$$

$$\text{And: } \hat{i}_l = \frac{1}{(SL_s + \frac{R_L}{1 + SC_o R_L})} \frac{V_{in} \hat{d}}{n} \quad (16)$$



**Figure 5. The Peak current active clamp control block diagram.**

$$G_{co}(S) = \frac{\hat{u}_o}{\hat{u}_c} = \frac{R_L(1 + S^2 L_e C_e)}{R_s \left(1 + \frac{S}{Q\omega_n} + \frac{S^2}{\omega_n^2}\right) [S^3 (L_e + n^2 L_s) C_o C_e R_L + S^2 (L_e + n^2 L_s) C_e + S(C_o + n^2 C_e) R_L + 1]} \quad (17)$$

With  $C_o \gg n^2 C_e$ , this formula can be simplified as in Equation 18:

$$G_{co}(S) = \frac{\hat{u}_o}{\hat{u}_c} \approx \frac{R_L(1 + S^2 L_e C_e)}{R_s \left(1 + \frac{S}{Q\omega_n} + \frac{S^2}{\omega_n^2}\right) [S^2 (L_e + n^2 L_s) C_e + 1] (SC_o R_L + 1)} \quad (18)$$

The above Equation (18) introduced dual zeros and dual poles.

$$f_z = \frac{1}{2\pi\sqrt{L_e C_e}} = \frac{(1-D)}{2\pi\sqrt{L_m C_m}}; \quad f_p = \frac{1}{2\pi\sqrt{(L_e + n^2 L_s) C_e}} = \frac{(1-D)}{2\pi\sqrt{\left(L_m + \frac{D}{1-D} n^2 L_s\right) C_m}} \quad (19)$$

Generally, to avoid the instability, the closed-loop crossover frequency “fc”, should be far less than half of the pole frequency “fp”. Here, “fp” should be the value with the maximum limited duty cycle “D”.

Figure 6 shows a small-signal circuitry implementation:

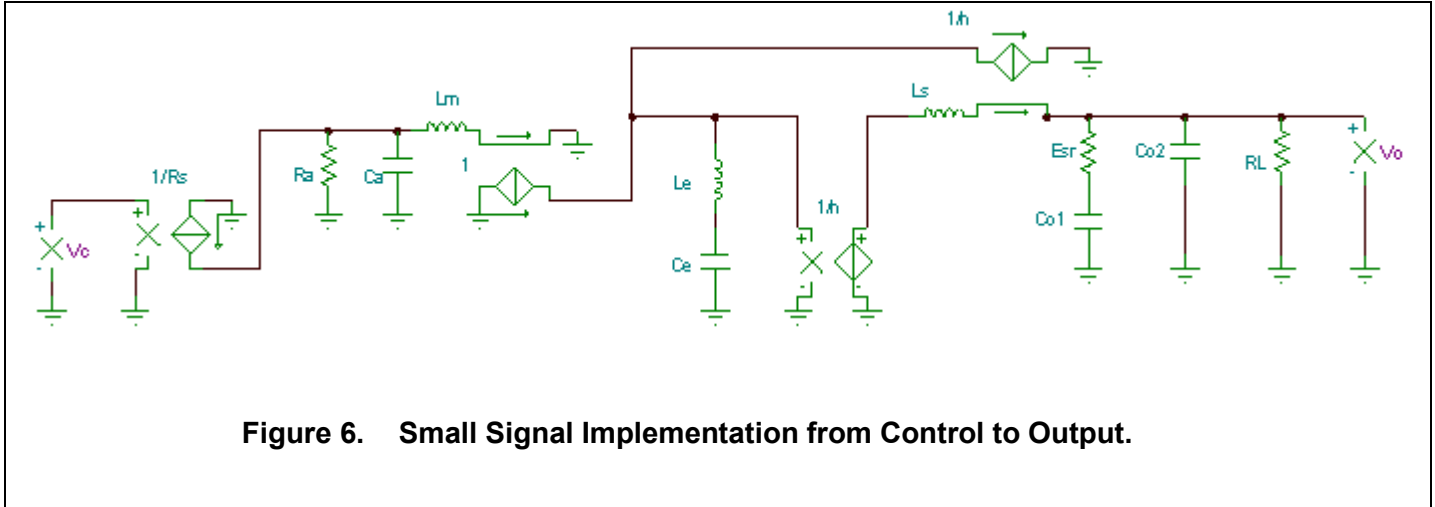


Figure 6. Small Signal Implementation from Control to Output.

#### 4 A Design Example:

The design schematic (see Figure 7) and electric specification follow.

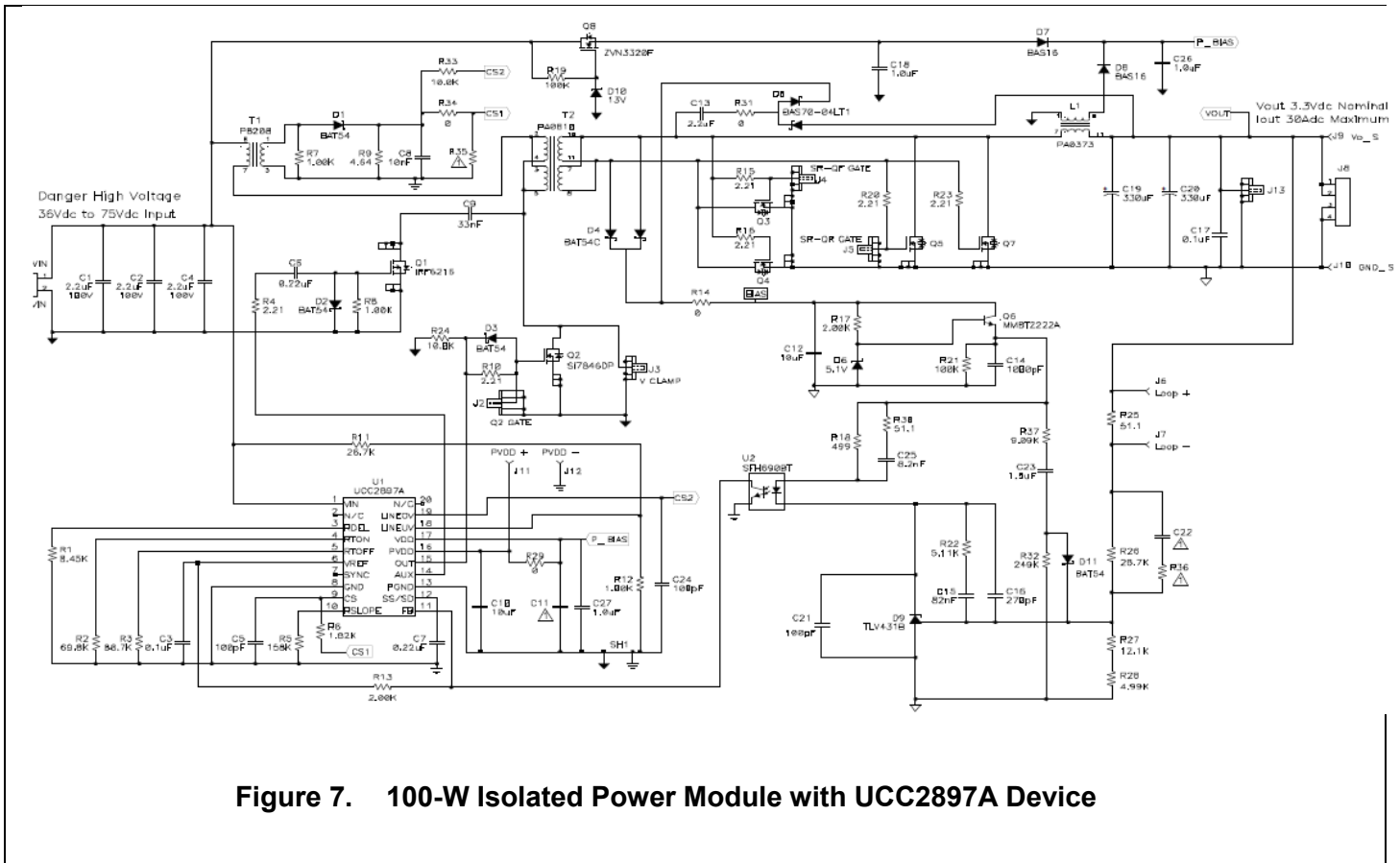


Figure 7. 100-W Isolated Power Module with UCC2897A Device

T1: Current transformer specification is: turn ratio is 1:100;

T2: Transformer specification is: PA0810NL; turn ratio is 6:1;  $L_m$  is 345  $\mu\text{H}$ .

L1 inductor specification is: PA0373; 2.1  $\mu\text{H}$ ;

$$V_{in} = 72V; V_{out} = 3.3V; I_{out} = 30A$$

Based on the schematic design in Figure.7, and the small signal analysis, we can get the overall simulation model as Figure.8:

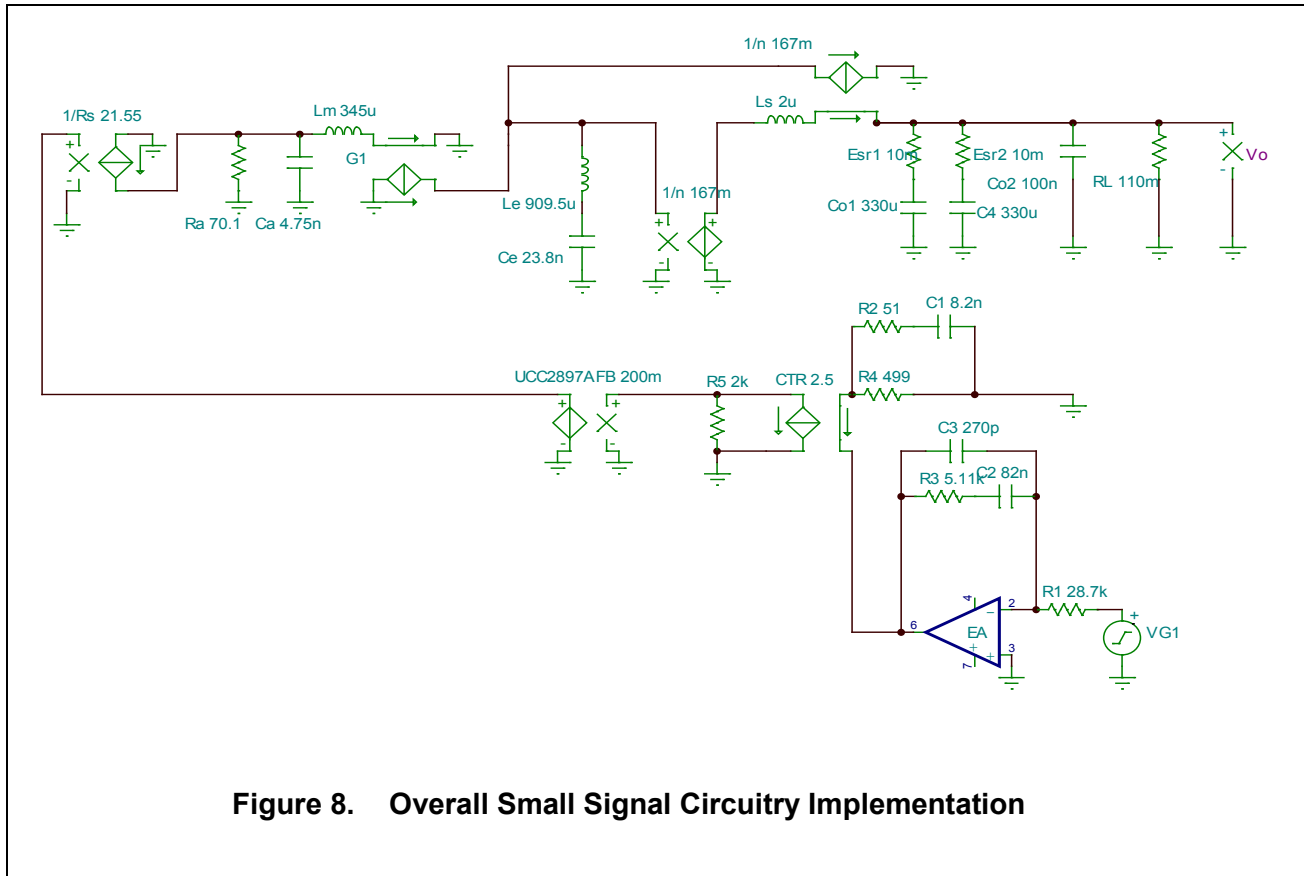


Figure 9 shows the simulation results.



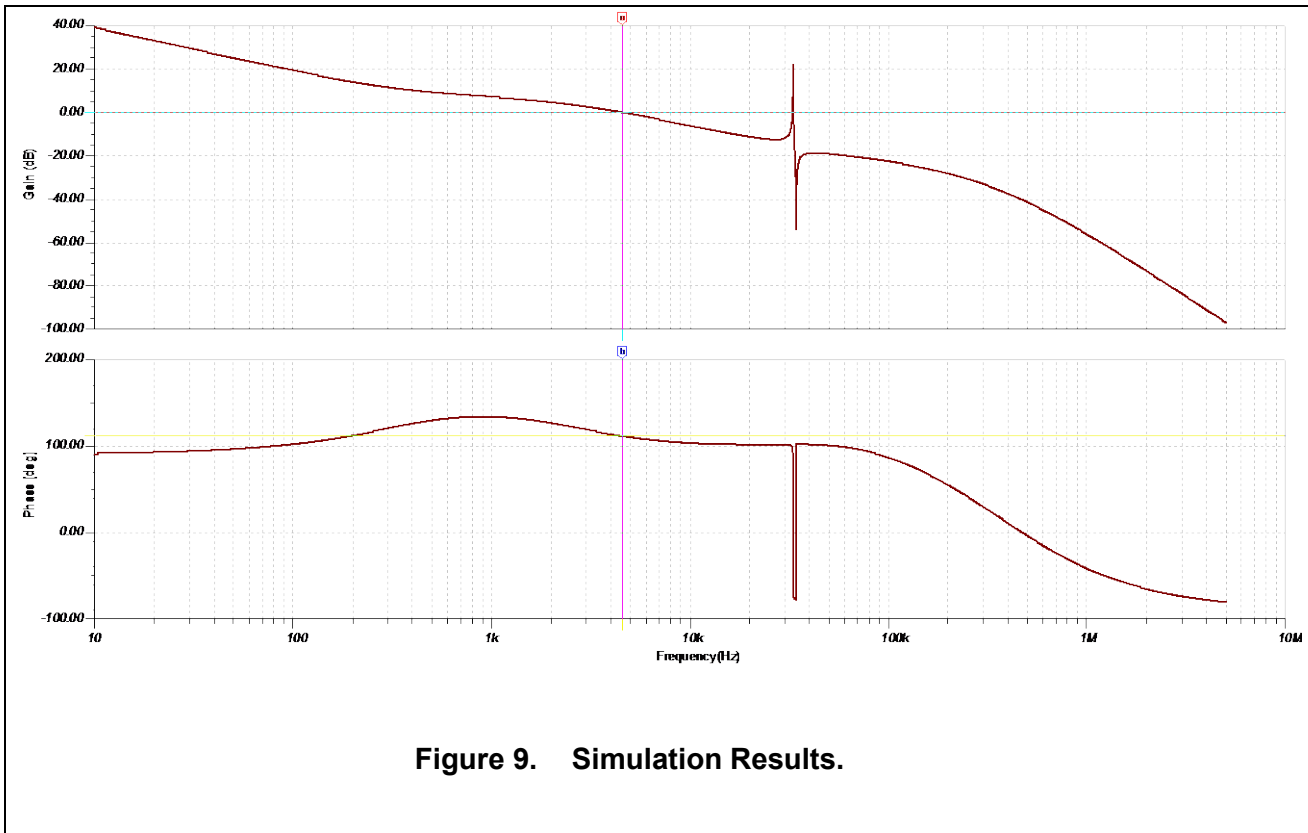
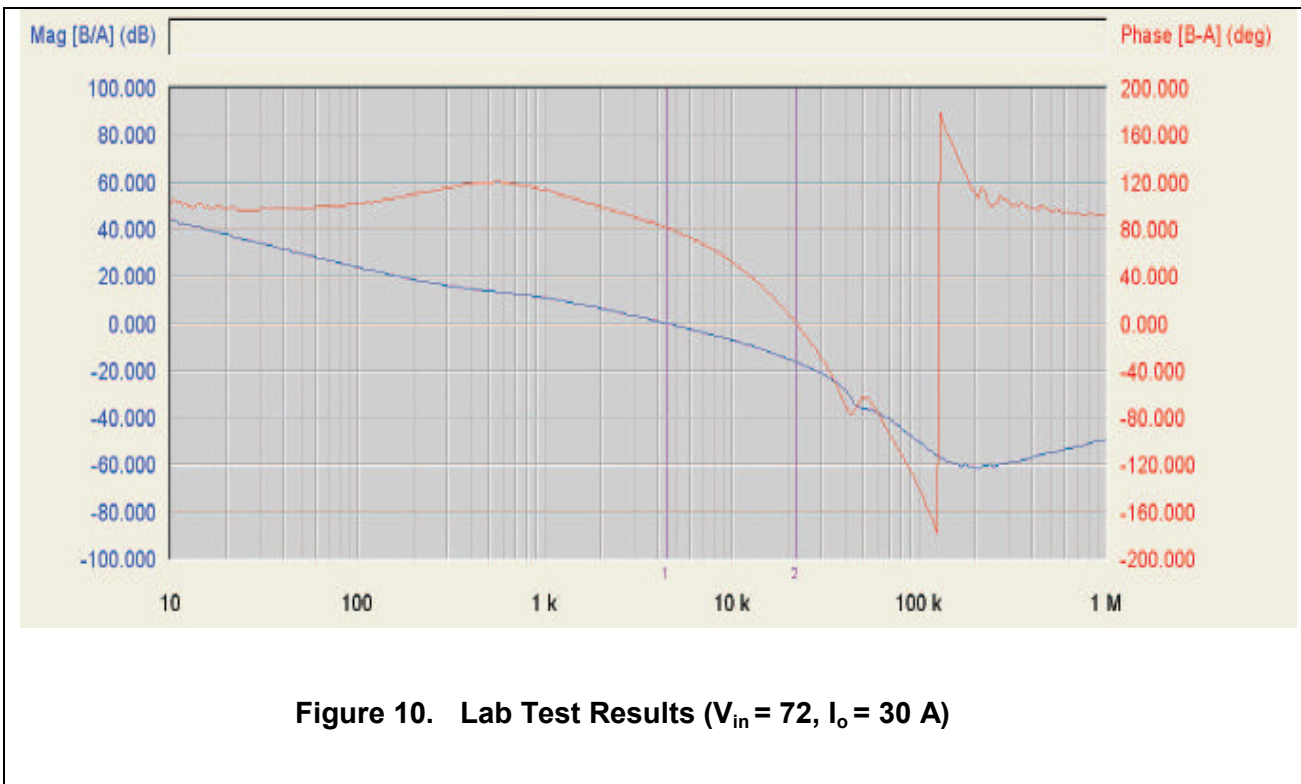


Figure.9 showed the cross-over frequency is 4.5 kHz, and phase margin is 111 degrees.

By lab test results, we can get the results as shown in Figure.10.

The test results showed cross-over frequency is 4.5 kHz and phase margin is 80 degrees.

Comparing the simulation and test results, they matched fully.



## 5 Conclusion:

The analysis shows the modeling and compensation is effective. The analysis revealed the zero and poles of the peak current mode control active-clamp forward converter, which is critical for the design of the active-clamp converter.

## Reference:

1. Texas instruments, SLUS829D, UCC2897A datasheet.
2. Texas instruments, SLUU357, UCC2897A EVM User's Guide.

## IMPORTANT NOTICE

Texas Instruments Incorporated and its subsidiaries (TI) reserve the right to make corrections, enhancements, improvements and other changes to its semiconductor products and services per JESD46, latest issue, and to discontinue any product or service per JESD48, latest issue. Buyers should obtain the latest relevant information before placing orders and should verify that such information is current and complete. All semiconductor products (also referred to herein as "components") are sold subject to TI's terms and conditions of sale supplied at the time of order acknowledgment.

TI warrants performance of its components to the specifications applicable at the time of sale, in accordance with the warranty in TI's terms and conditions of sale of semiconductor products. Testing and other quality control techniques are used to the extent TI deems necessary to support this warranty. Except where mandated by applicable law, testing of all parameters of each component is not necessarily performed.

TI assumes no liability for applications assistance or the design of Buyers' products. Buyers are responsible for their products and applications using TI components. To minimize the risks associated with Buyers' products and applications, Buyers should provide adequate design and operating safeguards.

TI does not warrant or represent that any license, either express or implied, is granted under any patent right, copyright, mask work right, or other intellectual property right relating to any combination, machine, or process in which TI components or services are used. Information published by TI regarding third-party products or services does not constitute a license to use such products or services or a warranty or endorsement thereof. Use of such information may require a license from a third party under the patents or other intellectual property of the third party, or a license from TI under the patents or other intellectual property of TI.

Reproduction of significant portions of TI information in TI data books or data sheets is permissible only if reproduction is without alteration and is accompanied by all associated warranties, conditions, limitations, and notices. TI is not responsible or liable for such altered documentation. Information of third parties may be subject to additional restrictions.

Resale of TI components or services with statements different from or beyond the parameters stated by TI for that component or service voids all express and any implied warranties for the associated TI component or service and is an unfair and deceptive business practice. TI is not responsible or liable for any such statements.

Buyer acknowledges and agrees that it is solely responsible for compliance with all legal, regulatory and safety-related requirements concerning its products, and any use of TI components in its applications, notwithstanding any applications-related information or support that may be provided by TI. Buyer represents and agrees that it has all the necessary expertise to create and implement safeguards which anticipate dangerous consequences of failures, monitor failures and their consequences, lessen the likelihood of failures that might cause harm and take appropriate remedial actions. Buyer will fully indemnify TI and its representatives against any damages arising out of the use of any TI components in safety-critical applications.

In some cases, TI components may be promoted specifically to facilitate safety-related applications. With such components, TI's goal is to help enable customers to design and create their own end-product solutions that meet applicable functional safety standards and requirements. Nonetheless, such components are subject to these terms.

No TI components are authorized for use in FDA Class III (or similar life-critical medical equipment) unless authorized officers of the parties have executed a special agreement specifically governing such use.

Only those TI components which TI has specifically designated as military grade or "enhanced plastic" are designed and intended for use in military/aerospace applications or environments. Buyer acknowledges and agrees that any military or aerospace use of TI components which have **not** been so designated is solely at the Buyer's risk, and that Buyer is solely responsible for compliance with all legal and regulatory requirements in connection with such use.

TI has specifically designated certain components as meeting ISO/TS16949 requirements, mainly for automotive use. In any case of use of non-designated products, TI will not be responsible for any failure to meet ISO/TS16949.

### Products

Audio	<a href="http://www.ti.com/audio">www.ti.com/audio</a>
Amplifiers	<a href="http://amplifier.ti.com">amplifier.ti.com</a>
Data Converters	<a href="http://dataconverter.ti.com">dataconverter.ti.com</a>
DLP® Products	<a href="http://www.dlp.com">www.dlp.com</a>
DSP	<a href="http://dsp.ti.com">dsp.ti.com</a>
Clocks and Timers	<a href="http://www.ti.com/clocks">www.ti.com/clocks</a>
Interface	<a href="http://interface.ti.com">interface.ti.com</a>
Logic	<a href="http://logic.ti.com">logic.ti.com</a>
Power Mgmt	<a href="http://power.ti.com">power.ti.com</a>
Microcontrollers	<a href="http://microcontroller.ti.com">microcontroller.ti.com</a>
RFID	<a href="http://www.ti-rfid.com">www.ti-rfid.com</a>
OMAP Applications Processors	<a href="http://www.ti.com/omap">www.ti.com/omap</a>
Wireless Connectivity	<a href="http://www.ti.com/wirelessconnectivity">www.ti.com/wirelessconnectivity</a>

### Applications

Automotive and Transportation	<a href="http://www.ti.com/automotive">www.ti.com/automotive</a>
Communications and Telecom	<a href="http://www.ti.com/communications">www.ti.com/communications</a>
Computers and Peripherals	<a href="http://www.ti.com/computers">www.ti.com/computers</a>
Consumer Electronics	<a href="http://www.ti.com/consumer-apps">www.ti.com/consumer-apps</a>
Energy and Lighting	<a href="http://www.ti.com/energy">www.ti.com/energy</a>
Industrial	<a href="http://www.ti.com/industrial">www.ti.com/industrial</a>
Medical	<a href="http://www.ti.com/medical">www.ti.com/medical</a>
Security	<a href="http://www.ti.com/security">www.ti.com/security</a>
Space, Avionics and Defense	<a href="http://www.ti.com/space-avionics-defense">www.ti.com/space-avionics-defense</a>
Video and Imaging	<a href="http://www.ti.com/video">www.ti.com/video</a>

### TI E2E Community

[e2e.ti.com](http://e2e.ti.com)