

TPS23861 VDD Power Solutions

Johnny Guo, JW Wu, Penny Xu

ABSTRACT

TPS23861 is an IEEE 802.3at compliant PSE controller integrated with analog circuits, digital circuits and an embedded processor. The VPWR pin supplies power to the internal analog circuits while the VDD pin supplies power for the digital circuits and internal processor. In most applications, an extra 3.3 V power is required for VDD. This paper introduces some VDD power supply solutions and design considerations in different solution environment.

Contents

1	Introduction	2
2	VDD Power Design in Isolated PSE System	2
3	VDD Power Design in Non-isolated PSE System	6
4	Conclusion	7
5	Reference	7

List of Figures

1	VDD Power with High Voltage LDO in Isolated System	3
2	TPS23861 Power On Sequence	3
3	VDD Power with Switching Regulator in Isolated System	4
4	VDD Power with Discrete Solution in Isolated System	4
5	VDD Power with Auxiliary Winding Power in Isolated System	5
6	VDD Power in Non-isolated System - 1	6
7	VDD Power in Non-isolated System - 2	6

List of Tables

1	I_{VDD} Specification in TPS23861 Datasheet	2
---	---	---

1 Introduction

TPS23861 is an IEEE 802.3at compliant PSE controller integrated with analog circuits, digital circuits and an embedded processor. The VDD (3.3 V) pin supplies power for internal digital circuits and processor. In most applications, PSE power and system power are designed isolated regarding safety considerations. This paper introduces different VDD power supply solutions and considerations for different applications.

In Electrical Characteristics Table of TPS23861 datasheet ([SLUSBX9](#)), VDD current is 5 mA (typical) and 6 mA (maximum). When designing power supply for VDD with different solutions approaches, we need to take the power consumption as a key consideration.

Table 1. I_{VDD} Specification in TPS23861 Datasheet

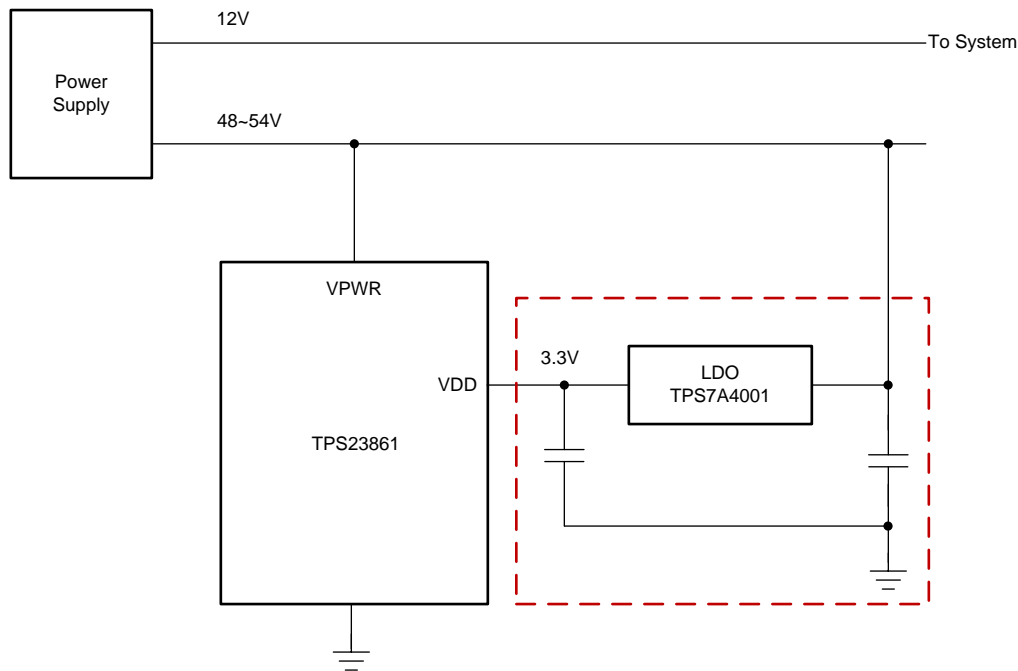
PARAMETER		TEST CONDITIONS	MIN	TYP	MAX	UNIT
INPUT SUPPLY VPWR						
I_{VPWR}	VPWR current consumption	$V_{VPWR} = 57\text{ V}$		3.5	7	mA
V_{UVLOPW_F}	VPWR UVLO falling threshold	Internal oscillator stops operating	14.5		17.5	V
V_{PUV_F}	VPWR Undervoltage falling threshold	V_{PUV} for port de-assertion	25	26.5	28	V
V_{UVLOPW_R}	VPWR UVLO rising threshold		15.5		18.5	V
INPUT SUPPLY VDD						
I_{VDD}	VDD current consumption			5	6	mA
V_{UVDD_F}	VDD UVLO falling threshold	For port turn off	2	2.2	2.4	V
V_{UVDD_R}	VDD UVLO rising threshold		2.4	2.6	2.8	V
V_{UVDD_HYS}	Hysteresis VDD UVLO			0.4		V

2 VDD Power Design in Isolated PSE System

In most PSE systems like Ethernet Switch and Network Video Recorder (NVR), isolation is a common system requirement. In these applications, VPWR (normally 48 V ~ 54 V) for PSE and 12 V for system are supplied with adapters. Since VPWR is isolated from 12 V, power supply for VDD should be generated from VPWR.

According to different system design and cost considerations, three VDD power solutions are proposed.

2.1 High Voltage LDO



Copyright © 2016, Texas Instruments Incorporated

Figure 1. VDD Power with High Voltage LDO in Isolated System

The simplest VDD power solution comes with a high voltage LDO. The maximum power loss on LDO is calculated in [Equation 1](#).

$$P_{\text{loss}} = (V_{\text{VPWR}(\text{MAX})} - V_{\text{VDD}}) \times I_{\text{VDD}(\text{MAX})} = 0.304 \text{ W} \quad (1)$$

Due to 0.304 W maximum power consumption on LDO, proper thermal consideration is required in real board design, and one LDO is not suggested to supply power to ≥ 2 pieces of TPS23861.

Considering TPS23861 power on sequence requirement as shown in [Figure 2](#), a high voltage LDO with adjustable UVLO is recommended.

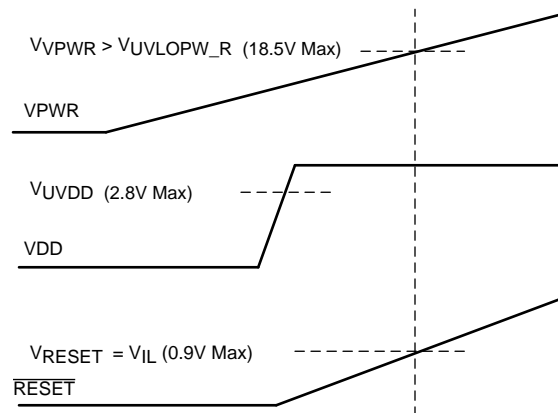
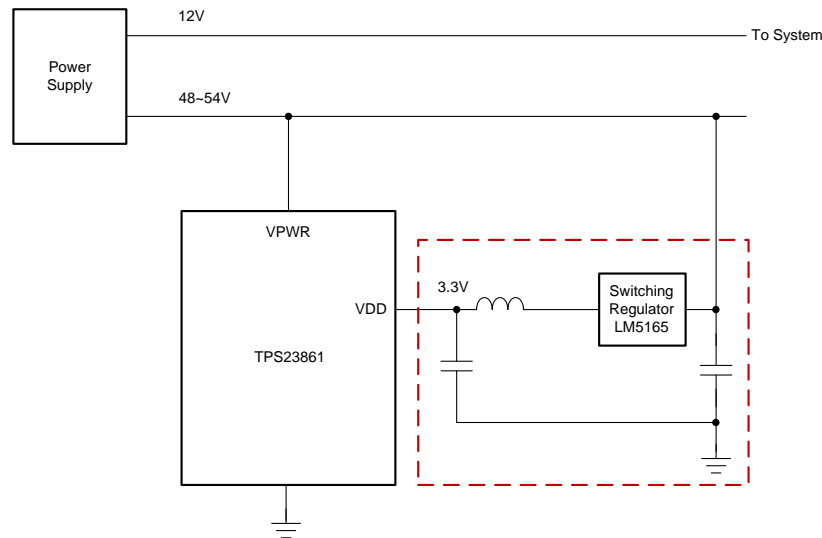


Figure 2. TPS23861 Power On Sequence

2.2 Switching Regulator

If efficiency and thermal are key considerations, a switching regulator is recommended. Compared with LDO, switching regulator has better efficiency and higher current capability to feed multiple TPS23861 devices. Therefore, it is a good fit for Switch and NVR end equipment which has higher port count (>4 ports).



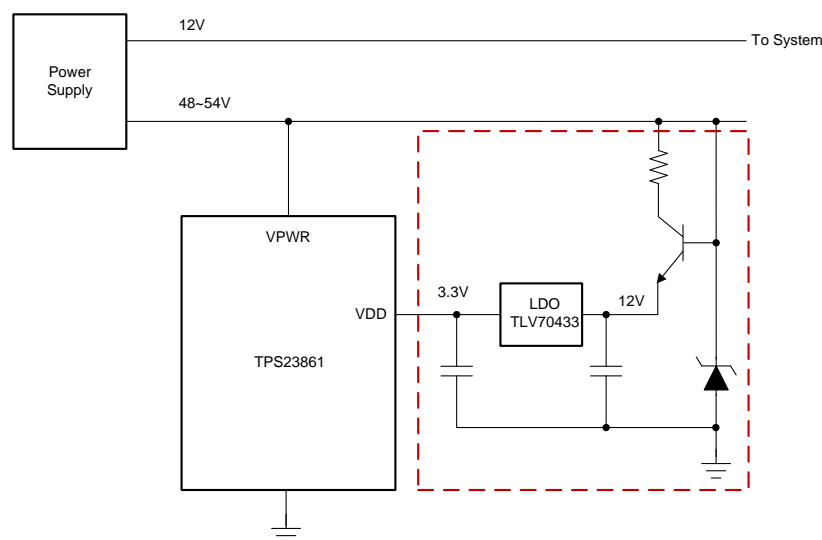
Copyright © 2016, Texas Instruments Incorporated

Figure 3. VDD Power with Switching Regulator in Isolated System

It is good engineering practice to set switching regulator's EN/UVLO voltage above TPS23861 UVLO (18.5 V) in application design.

2.3 Discrete Solution

For some cost-sensitive products and applications, a simple discrete solution is proposed as shown in [Figure 4](#). A Zener diode and high voltage NPN transistor is used to replace the high voltage LDO with a low cost LDO.



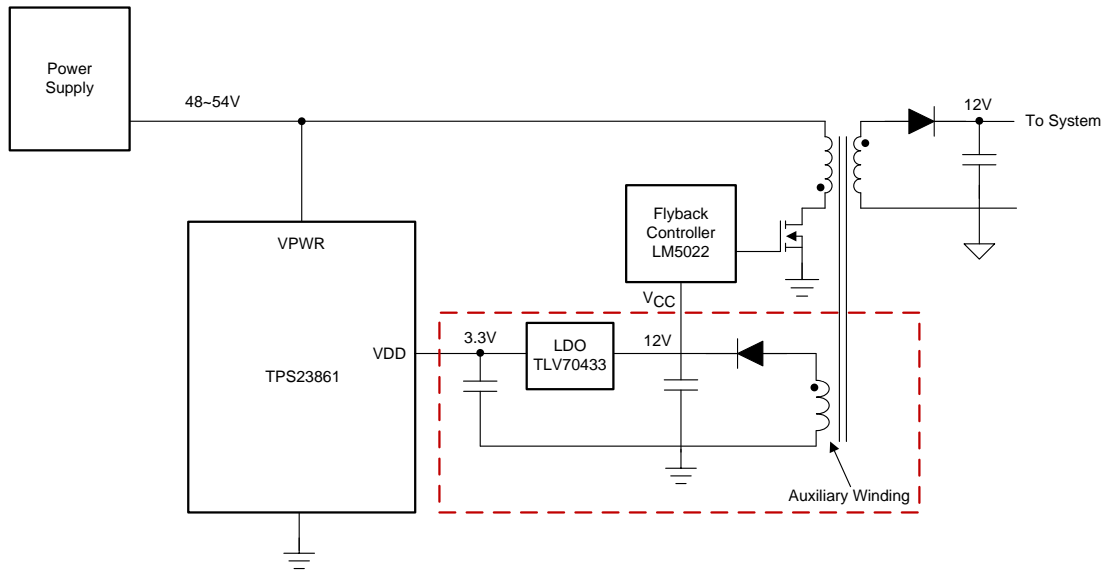
Copyright © 2016, Texas Instruments Incorporated

Figure 4. VDD Power with Discrete Solution in Isolated System

For the NPN transistor, a SOT-223 package is recommended which has better thermal performance. In this design, the power consumption is shared by the collector resistor, NPN transistor and LDO. As a result, it has better efficiency with lower cost compared to the high LDO solution.

2.4 Auxiliary Winding Power

In some isolated applications with single-output adapter, a Flyback topology is used to generate isolated 12 V from 48 V. VDD can be supplied from 12 V through above three solutions. Normally in Flyback application, an auxiliary winding is used to generate 12 V for Flyback controller V_{CC} power. One optional selection is to generate 3.3 V with an LDO from auxiliary winding 12 V as shown in Figure 5. Since the I_{VDD} is 6 mA maximum, single wire auxiliary winding is able to power more than 2 TPS23861 devices. This solution is also widely used due to its low cost and good thermal performance.

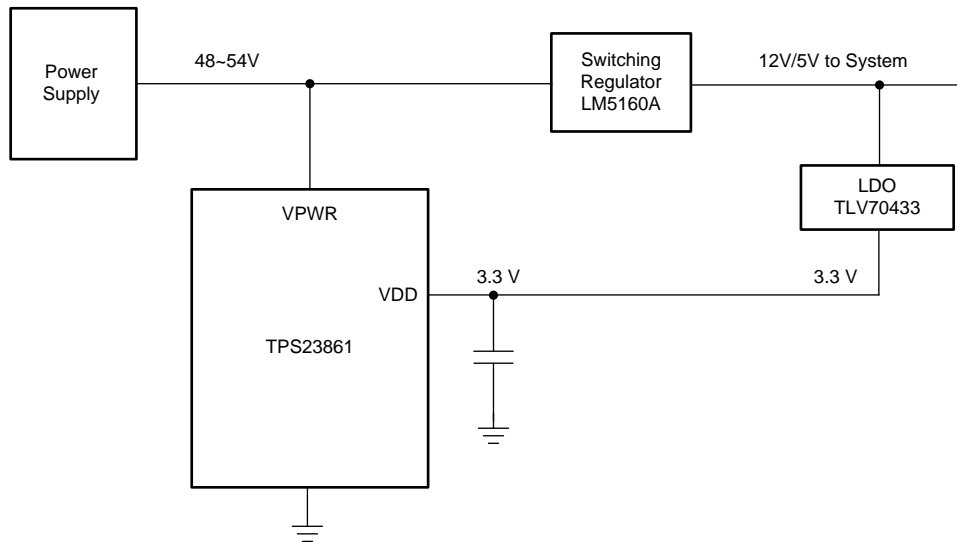


Copyright © 2016, Texas Instruments Incorporated

Figure 5. VDD Power with Auxiliary Winding Power in Isolated System

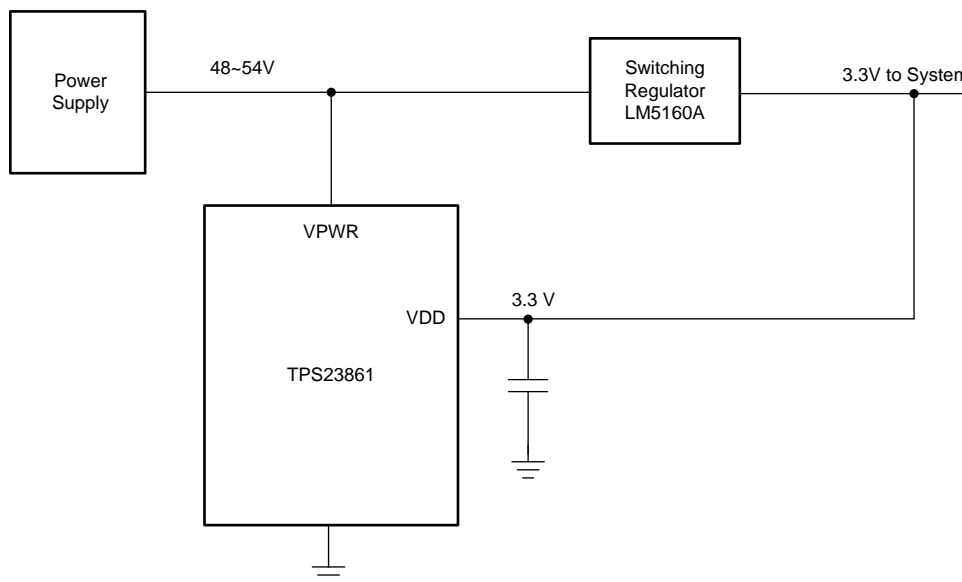
3 VDD Power Design in Non-isolated PSE System

We have seen some customer's system in which 48 V power rail and system power rail are non-isolated. Under this condition, usually 12 V / 5 V / 3.3 V is generated from 48 V and VDD can be connected directly with system 3.3 V.



Copyright © 2016, Texas Instruments Incorporated

Figure 6. VDD Power in Non-isolated System - 1



Copyright © 2016, Texas Instruments Incorporated

Figure 7. VDD Power in Non-isolated System - 2

4 Conclusion

The VDD for the TPS23861 digital circuits and internal processor needs external power supply. In non-isolated system, VDD pin can be directly connected to system 3.3 V. While in isolated system, 3.3 V should be generated separately. Four methods have been discussed for different systems with corresponding design considerations.

5 Reference

TPS23861 IEEE 802.3at Quad Port Power-over-Ethernet PSE Controller, [SLUSBX9](#)

TPS23861 Power-On Considerations, [SLVA723](#)

IMPORTANT NOTICE

Texas Instruments Incorporated and its subsidiaries (TI) reserve the right to make corrections, enhancements, improvements and other changes to its semiconductor products and services per JESD46, latest issue, and to discontinue any product or service per JESD48, latest issue. Buyers should obtain the latest relevant information before placing orders and should verify that such information is current and complete. All semiconductor products (also referred to herein as "components") are sold subject to TI's terms and conditions of sale supplied at the time of order acknowledgment.

TI warrants performance of its components to the specifications applicable at the time of sale, in accordance with the warranty in TI's terms and conditions of sale of semiconductor products. Testing and other quality control techniques are used to the extent TI deems necessary to support this warranty. Except where mandated by applicable law, testing of all parameters of each component is not necessarily performed.

TI assumes no liability for applications assistance or the design of Buyers' products. Buyers are responsible for their products and applications using TI components. To minimize the risks associated with Buyers' products and applications, Buyers should provide adequate design and operating safeguards.

TI does not warrant or represent that any license, either express or implied, is granted under any patent right, copyright, mask work right, or other intellectual property right relating to any combination, machine, or process in which TI components or services are used. Information published by TI regarding third-party products or services does not constitute a license to use such products or services or a warranty or endorsement thereof. Use of such information may require a license from a third party under the patents or other intellectual property of the third party, or a license from TI under the patents or other intellectual property of TI.

Reproduction of significant portions of TI information in TI data books or data sheets is permissible only if reproduction is without alteration and is accompanied by all associated warranties, conditions, limitations, and notices. TI is not responsible or liable for such altered documentation. Information of third parties may be subject to additional restrictions.

Resale of TI components or services with statements different from or beyond the parameters stated by TI for that component or service voids all express and any implied warranties for the associated TI component or service and is an unfair and deceptive business practice. TI is not responsible or liable for any such statements.

Buyer acknowledges and agrees that it is solely responsible for compliance with all legal, regulatory and safety-related requirements concerning its products, and any use of TI components in its applications, notwithstanding any applications-related information or support that may be provided by TI. Buyer represents and agrees that it has all the necessary expertise to create and implement safeguards which anticipate dangerous consequences of failures, monitor failures and their consequences, lessen the likelihood of failures that might cause harm and take appropriate remedial actions. Buyer will fully indemnify TI and its representatives against any damages arising out of the use of any TI components in safety-critical applications.

In some cases, TI components may be promoted specifically to facilitate safety-related applications. With such components, TI's goal is to help enable customers to design and create their own end-product solutions that meet applicable functional safety standards and requirements. Nonetheless, such components are subject to these terms.

No TI components are authorized for use in FDA Class III (or similar life-critical medical equipment) unless authorized officers of the parties have executed a special agreement specifically governing such use.

Only those TI components which TI has specifically designated as military grade or "enhanced plastic" are designed and intended for use in military/aerospace applications or environments. Buyer acknowledges and agrees that any military or aerospace use of TI components which have **not** been so designated is solely at the Buyer's risk, and that Buyer is solely responsible for compliance with all legal and regulatory requirements in connection with such use.

TI has specifically designated certain components as meeting ISO/TS16949 requirements, mainly for automotive use. In any case of use of non-designated products, TI will not be responsible for any failure to meet ISO/TS16949.

Products

Audio	www.ti.com/audio
Amplifiers	amplifier.ti.com
Data Converters	dataconverter.ti.com
DLP® Products	www.dlp.com
DSP	dsp.ti.com
Clocks and Timers	www.ti.com/clocks
Interface	interface.ti.com
Logic	logic.ti.com
Power Mgmt	power.ti.com
Microcontrollers	microcontroller.ti.com
RFID	www.ti-rfid.com
OMAP Applications Processors	www.ti.com/omap
Wireless Connectivity	www.ti.com/wirelessconnectivity

Applications

Automotive and Transportation	www.ti.com/automotive
Communications and Telecom	www.ti.com/communications
Computers and Peripherals	www.ti.com/computers
Consumer Electronics	www.ti.com/consumer-apps
Energy and Lighting	www.ti.com/energy
Industrial	www.ti.com/industrial
Medical	www.ti.com/medical
Security	www.ti.com/security
Space, Avionics and Defense	www.ti.com/space-avionics-defense
Video and Imaging	www.ti.com/video

TI E2E Community

e2e.ti.com