

# Minimizing Shutdown Current of the bq76200

Willy Massoth

BMS: Monitoring and Protection

## ABSTRACT

The bq76200 high-side N-channel FET driver has a quiescent supply current even when disabled. While the current is low, in some applications it is desirable to minimize load current during times when the battery is idle. This document describes a circuit and test result that assists in the successful implementation of a battery switch circuit when shutting down the bq76200.

## Contents

1	Introduction .....	1
2	Blocking Current Into CHG .....	3
3	Test Result.....	3
4	Precharge Consideration .....	6
5	Conclusion .....	6
6	References .....	6

## List of Figures

1	Simple Attempt at Switching BAT .....	2
2	Leakage Into CHG.....	2
3	Switching BAT With CHG Pin Current Blocking .....	3
4	Shutdown Current Comparison .....	4
5	Charge FET Switching With Normal Circuit .....	5
6	Charge FET Switching With Current Blocking Circuit.....	5
7	External Precharge Driver .....	6

## List of Tables

1	Test Circuit Values.....	3
---	--------------------------	---

## 1 Introduction

In many batteries, the battery is always on with the outputs enabled. The operating current of the components is the major concern in this situation. With other batteries, the internal circuitry may be shut down for long periods of time, in this case, the shutdown current of the components may be the more critical concern. The bq76200 has buffered inputs and draws current even with all inputs disabled. The bq76200 data sheet (SLUSC16) shows a typical shutdown current of 6  $\mu$ A at 8 V. A first attempt at minimizing current is switching off the BAT pin, similar to the approach shown in [Figure 1](#). In this schematic, Q3 and Q4 are used to switch off the voltage to the BAT pin and other circuitry powered by the battery voltage. This cuts off the supply to the bq76200 with the idea of reducing the supply current. However, if the gate of the charge power FET remains connected to the high voltage, the CHG pin is attempting to drive the pin to the BAT pin voltage and a leakage path exists inside the bq76200 back to the BAT pin and to other connected circuitry. See [Figure 2](#) for an example of leakage current into the CHG pin. Also, since  $R_{GS\_CHG}$  is larger than  $R_{CHG}$ , as the system voltage increases, the voltage across the gate-source resistor  $R_{GS\_CHG}$  may stress the Q1 charge FET gate limit.

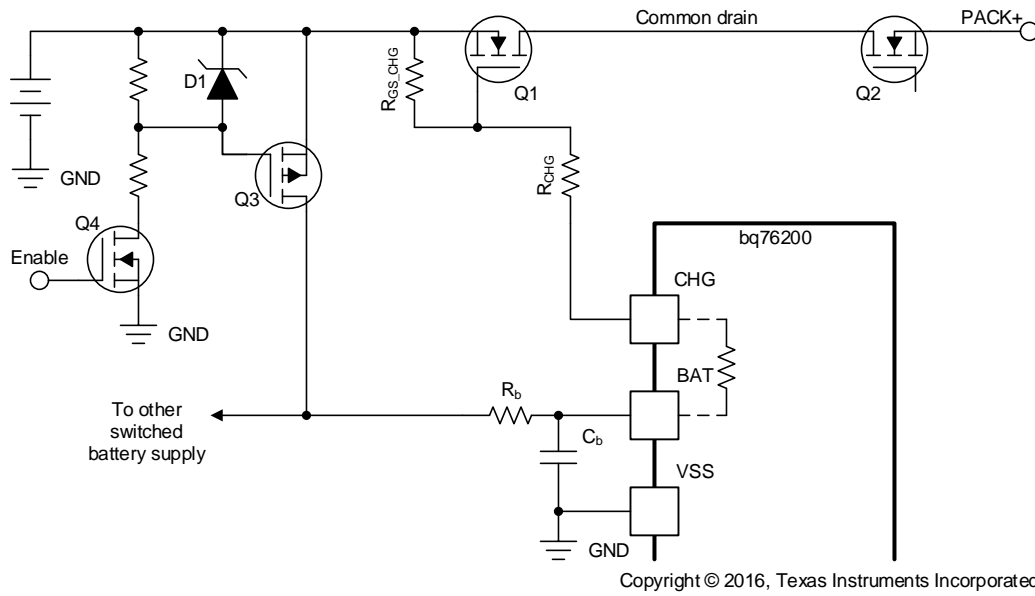


Figure 1. Simple Attempt at Switching BAT

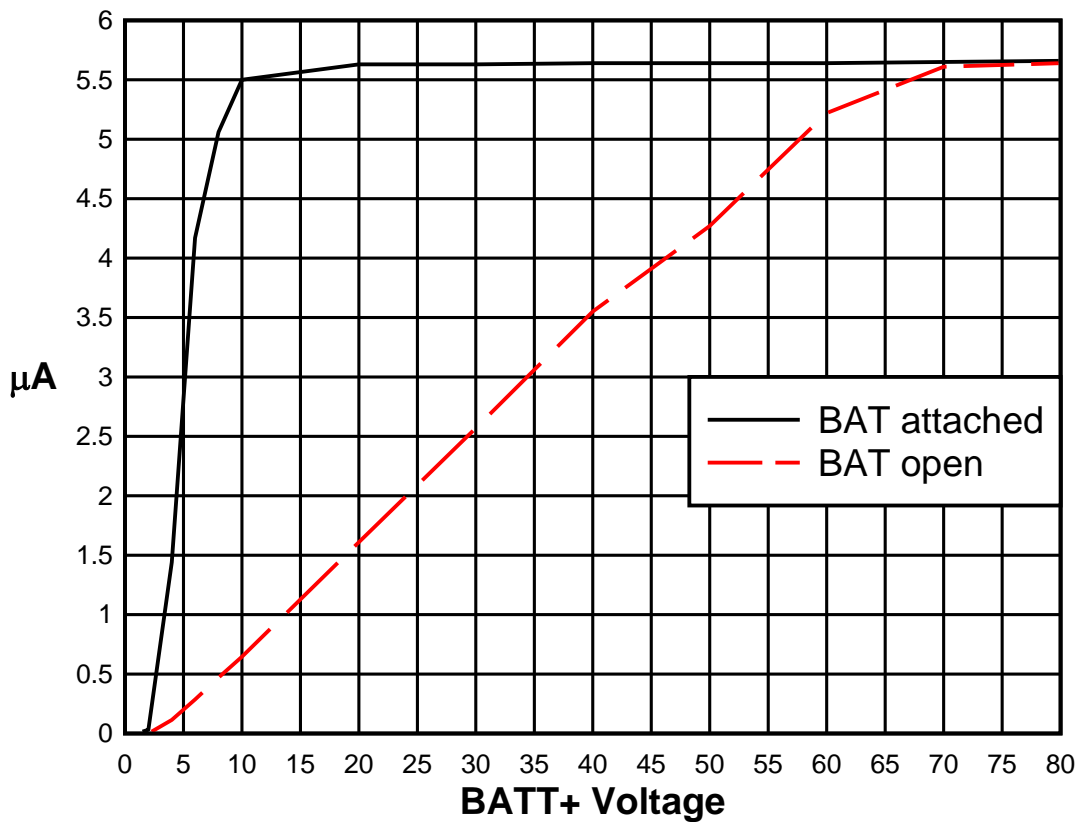
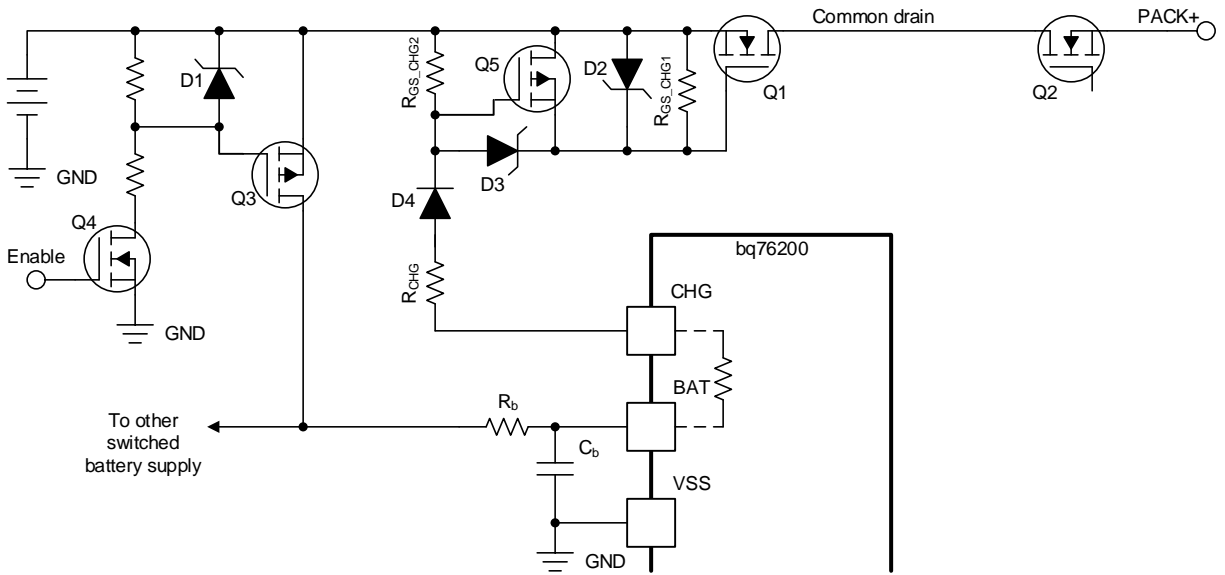


Figure 2. Leakage Into CHG

## 2 Blocking Current Into CHG

Overstress of the charge FET gate can be prevented using a zener diode in parallel with the gate-source resistor,  $R_{GS\_CHG}$ . A solution to the leakage current into the bq76200 is blocking the current into the CHG pin with a diode. The CHG output could turn on the MOSFET, but turn off needs to be accomplished with the  $R_{GS\_CHG}$  resistor. The bq76200 drives the FETs with a charge pump, so current must be limited and the resistor cannot be made arbitrarily small. The data sheet does not specify a charge pump current, but it can be estimated as 40  $\mu$ A from the startup specifications. The typical 10 M $\Omega$   $R_{GS\_CHG}$  provides a load of approximately 1.2  $\mu$ A.

Figure 3 shows a circuit implementation where a small P-channel MOSFET is added to turn off the power FET. A second gate resistor,  $R_{GS\_CHG2}$ , is added to turn on the P-channel FET. The combined load is increased to 3.3 M $\Omega$  and the charge pump current for the charge FET is increased to approximately 3.6  $\mu$ A.



Copyright © 2016, Texas Instruments Incorporated

Figure 3. Switching BAT With CHG Pin Current Blocking

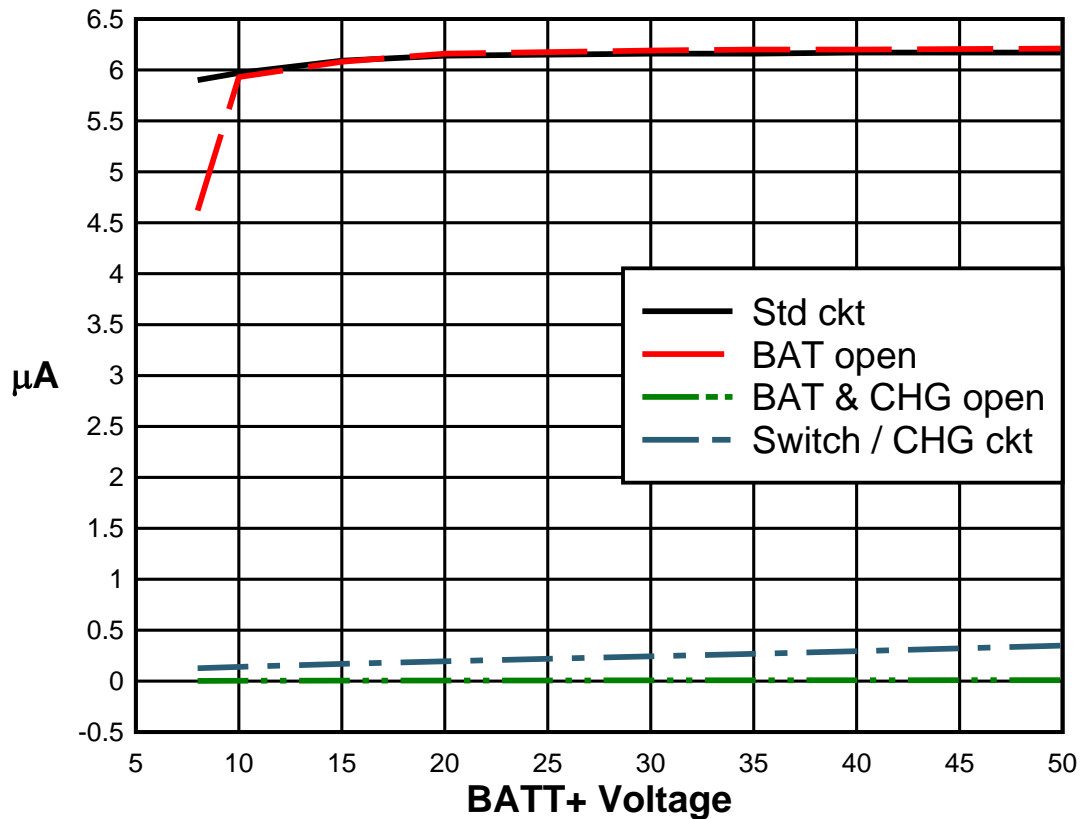
## 3 Test Result

The circuit in Figure 3 is constructed using the components shown in Table 1

Table 1. Test Circuit Values

Reference	Part or Value
Q1	CSD19532Q5B
Q5	BSS84
$R_{CHG}$	510 $\Omega$
$R_{GS\_CHG1}$	10 M $\Omega$
$R_{GS\_CHG2}$	5.1 M $\Omega$
D2	MMSZ5246B 16V
D3	MMSZ5231B 5.1V
D4	BAT46

The switch and diode in the CHG path has some leakage current, so current will not be as low as opening the signals, however it provides a substantial reduction in the current to the bq76200 circuit. [Figure 4](#) shows a comparison measurement of current into the circuit with the standard circuit, with BAT only open, BAT and CHG open, and with a switch and CHG blocking circuit in place.



**Figure 4. Shutdown Current Comparison**

[Figure 5](#) shows the turn off of the charge FET without the blocking diode and P-channel FET. [Figure 6](#) shows the result with the blocking diode and P-channel FET. The current blocking circuit does provide a delay to the switching as well as the slower switching.

---

**NOTE:** Waveform captures in this document show charge current as positive.

---

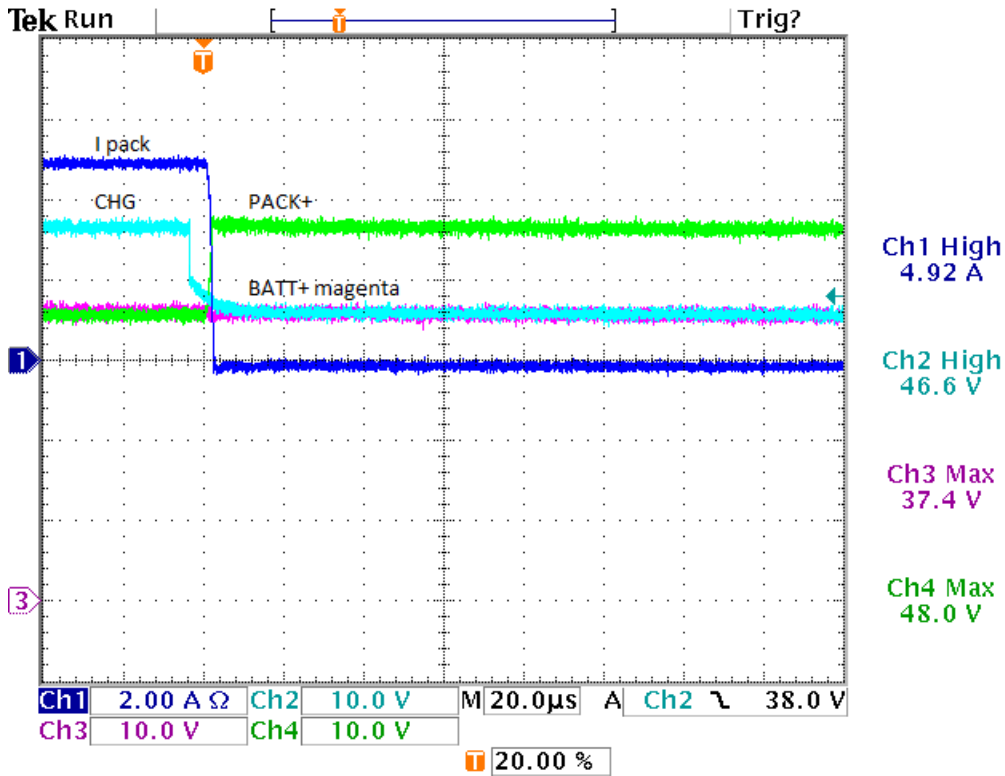


Figure 5. Charge FET Switching With Normal Circuit

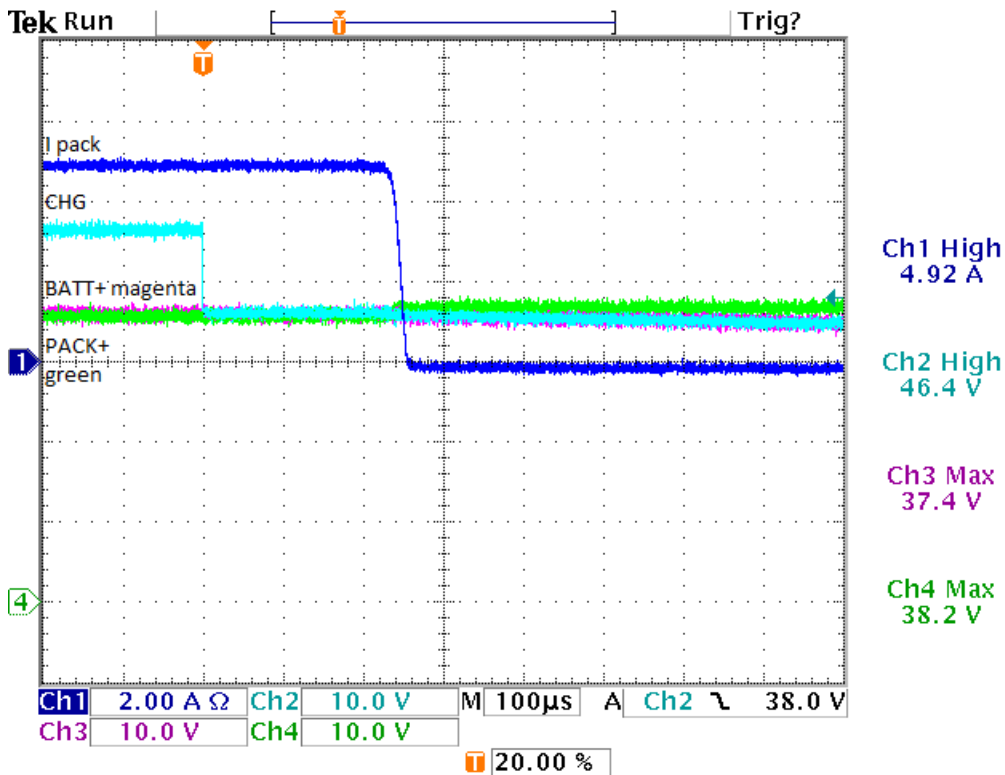


Figure 6. Charge FET Switching With Current Blocking Circuit

## 4 Precharge Consideration

A side effect of switching BAT is that the bq76200 no longer knows the common drain voltage of the power FETs, so the PCHG function of the bq76200 cannot be used. With the BAT and PACK pins both at 0 V, the PCHG pin goes to 0 V, which could stress the gate of the precharge FET, turn on the precharge FET, or provide leakage current into the bq76200. If a precharge circuit is needed it needs to be implemented externally, similar to Figure 7.

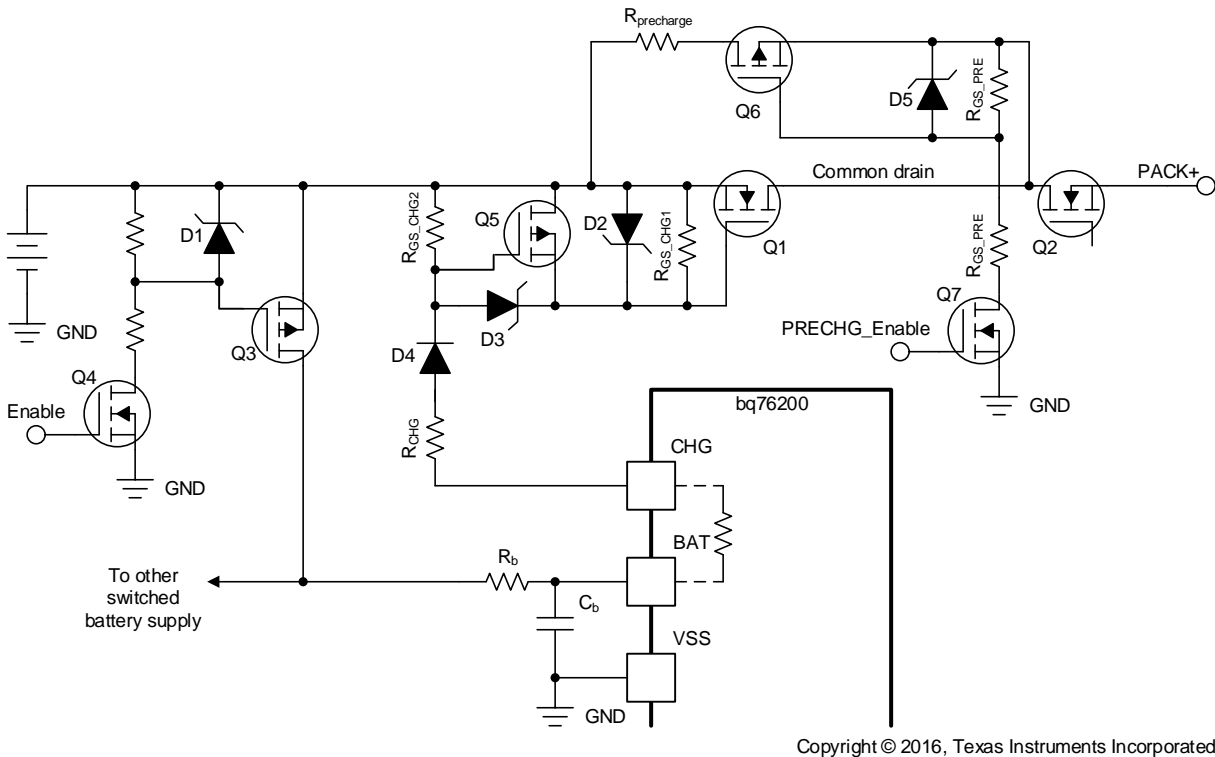


Figure 7. External Precharge Driver

## 5 Conclusion

When lower standby current is required, switching BAT to the bq76200 also requires blocking current into CHG. The blocking diode and the high gate-source resistance required for the low drive current of the bq76200 charge pump results in a slow turn off of the CHG output. The system may need a circuit to speed up the turn off of the charge FET. When switching the BAT pin, the internal precharge driver is not useable. Provide precharge control outside the bq76200, if needed.

## 6 References

For additional information, refer to the documents below available at [www.ti.com](http://www.ti.com).

- [bq76200 High Voltage Battery Pack Front-End Charge/Discharge High-Side NFET Driver data sheet \(SLUSC16\)](#)
- [bq76200 EVM user's guide \(SLVU926\)](#)

## IMPORTANT NOTICE

Texas Instruments Incorporated and its subsidiaries (TI) reserve the right to make corrections, enhancements, improvements and other changes to its semiconductor products and services per JESD46, latest issue, and to discontinue any product or service per JESD48, latest issue. Buyers should obtain the latest relevant information before placing orders and should verify that such information is current and complete. All semiconductor products (also referred to herein as "components") are sold subject to TI's terms and conditions of sale supplied at the time of order acknowledgment.

TI warrants performance of its components to the specifications applicable at the time of sale, in accordance with the warranty in TI's terms and conditions of sale of semiconductor products. Testing and other quality control techniques are used to the extent TI deems necessary to support this warranty. Except where mandated by applicable law, testing of all parameters of each component is not necessarily performed.

TI assumes no liability for applications assistance or the design of Buyers' products. Buyers are responsible for their products and applications using TI components. To minimize the risks associated with Buyers' products and applications, Buyers should provide adequate design and operating safeguards.

TI does not warrant or represent that any license, either express or implied, is granted under any patent right, copyright, mask work right, or other intellectual property right relating to any combination, machine, or process in which TI components or services are used. Information published by TI regarding third-party products or services does not constitute a license to use such products or services or a warranty or endorsement thereof. Use of such information may require a license from a third party under the patents or other intellectual property of the third party, or a license from TI under the patents or other intellectual property of TI.

Reproduction of significant portions of TI information in TI data books or data sheets is permissible only if reproduction is without alteration and is accompanied by all associated warranties, conditions, limitations, and notices. TI is not responsible or liable for such altered documentation. Information of third parties may be subject to additional restrictions.

Resale of TI components or services with statements different from or beyond the parameters stated by TI for that component or service voids all express and any implied warranties for the associated TI component or service and is an unfair and deceptive business practice. TI is not responsible or liable for any such statements.

Buyer acknowledges and agrees that it is solely responsible for compliance with all legal, regulatory and safety-related requirements concerning its products, and any use of TI components in its applications, notwithstanding any applications-related information or support that may be provided by TI. Buyer represents and agrees that it has all the necessary expertise to create and implement safeguards which anticipate dangerous consequences of failures, monitor failures and their consequences, lessen the likelihood of failures that might cause harm and take appropriate remedial actions. Buyer will fully indemnify TI and its representatives against any damages arising out of the use of any TI components in safety-critical applications.

In some cases, TI components may be promoted specifically to facilitate safety-related applications. With such components, TI's goal is to help enable customers to design and create their own end-product solutions that meet applicable functional safety standards and requirements. Nonetheless, such components are subject to these terms.

No TI components are authorized for use in FDA Class III (or similar life-critical medical equipment) unless authorized officers of the parties have executed a special agreement specifically governing such use.

Only those TI components which TI has specifically designated as military grade or "enhanced plastic" are designed and intended for use in military/aerospace applications or environments. Buyer acknowledges and agrees that any military or aerospace use of TI components which have **not** been so designated is solely at the Buyer's risk, and that Buyer is solely responsible for compliance with all legal and regulatory requirements in connection with such use.

TI has specifically designated certain components as meeting ISO/TS16949 requirements, mainly for automotive use. In any case of use of non-designated products, TI will not be responsible for any failure to meet ISO/TS16949.

### Products

Audio	<a href="http://www.ti.com/audio">www.ti.com/audio</a>
Amplifiers	<a href="http://amplifier.ti.com">amplifier.ti.com</a>
Data Converters	<a href="http://dataconverter.ti.com">dataconverter.ti.com</a>
DLP® Products	<a href="http://www.dlp.com">www.dlp.com</a>
DSP	<a href="http://dsp.ti.com">dsp.ti.com</a>
Clocks and Timers	<a href="http://www.ti.com/clocks">www.ti.com/clocks</a>
Interface	<a href="http://interface.ti.com">interface.ti.com</a>
Logic	<a href="http://logic.ti.com">logic.ti.com</a>
Power Mgmt	<a href="http://power.ti.com">power.ti.com</a>
Microcontrollers	<a href="http://microcontroller.ti.com">microcontroller.ti.com</a>
RFID	<a href="http://www.ti-rfid.com">www.ti-rfid.com</a>
OMAP Applications Processors	<a href="http://www.ti.com/omap">www.ti.com/omap</a>
Wireless Connectivity	<a href="http://www.ti.com/wirelessconnectivity">www.ti.com/wirelessconnectivity</a>

### Applications

Automotive and Transportation	<a href="http://www.ti.com/automotive">www.ti.com/automotive</a>
Communications and Telecom	<a href="http://www.ti.com/communications">www.ti.com/communications</a>
Computers and Peripherals	<a href="http://www.ti.com/computers">www.ti.com/computers</a>
Consumer Electronics	<a href="http://www.ti.com/consumer-apps">www.ti.com/consumer-apps</a>
Energy and Lighting	<a href="http://www.ti.com/energy">www.ti.com/energy</a>
Industrial	<a href="http://www.ti.com/industrial">www.ti.com/industrial</a>
Medical	<a href="http://www.ti.com/medical">www.ti.com/medical</a>
Security	<a href="http://www.ti.com/security">www.ti.com/security</a>
Space, Avionics and Defense	<a href="http://www.ti.com/space-avionics-defense">www.ti.com/space-avionics-defense</a>
Video and Imaging	<a href="http://www.ti.com/video">www.ti.com/video</a>

### TI E2E Community

[e2e.ti.com](http://e2e.ti.com)