

Slope Compensation Design for UCC2897A

Frank Xiao

Field Application

ABSTRACT

The UCC2897A is a peak-current mode fixed frequency high performance pulse-width modulator, which is ideal for active-clamp forward for the capability of driving the P-channel auxiliary switch. The chip also has internal programmable slope compensation circuit which is important for peak-current mode control method. In addition, this IC can set precise Dmax limit. In order to avoid sub-harmonic oscillation, slope compensation is essential for peak-current mode when duty cycle is above 50%. Even though the duty cycle is below 50%, it is desirable to add a slope compensation to decrease the influence of noise. This application report will show why the sub-harmonic oscillation happens and how to design the slope compensation parameters. Finally, experiment results are given which verify the correctness of the theoretical analysis.

Contents

1	Introduction	1
2	Slope Compensation Theory	2
3	UCC2897A Slope Compensation Design.....	5
4	Experiment.....	7
5	Summary.....	7
6	References	7

List of Figures

1	Inductor Current Waveform With Disturbance	2
2	Inductor Current and Slope Compensation Waveform	3
3	Inductor Current and Slope Compensation Waveform	4
4	Figure 4. UCC2897A Function Block Diagram	5
5	UCC2897A 18-V Input (Blue is the V_{cs} , Green is the Inductor Current)	7

List of Tables

1	Bench Results	7
---	---------------------	---

Trademarks

All trademarks are the property of their respective owners.

1 Introduction

The UCC2897A is a peak-current mode controller which is suitable for active clamp forward topology. For the peak-current mode control, it is usually necessary to adopt slope compensation to cancel the sub-harmonic oscillation phenomenon. Too large or too small slope compensation may influence the cycle-by-cycle current limit accuracy. Therefore, the report gives a method for parameter design based on the slope compensation theory.

2 Slope Compensation Theory

Because the forward converter is derived from buck topology by incorporating transformer isolation, buck converter can be used in the slope compensation analysis.

2.1 Sub-harmonic Oscillation

Figure 1 is inductor current waveform. It can be seen from the waveform that when a disturbance happens, it still exists after a period. In order to stabilize the system operation, the disturbance should become smaller and finally disappear after a few switching cycles.

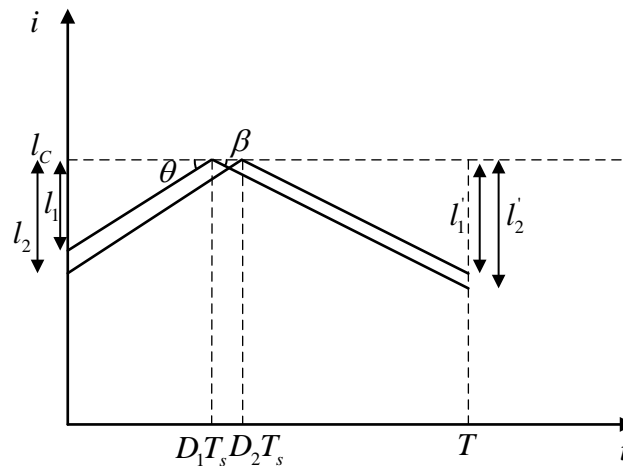


Figure 1. Inductor Current Waveform With Disturbance

Calculation can be performed by using trigonometric formula as follow.

$$l_1 = D_1 \times T_s \times \tan\theta \quad (1)$$

$$l_2 = D_2 \times T_s \times \tan\theta \quad (2)$$

$$l_2 - l_1 = (D_2 - D_1) \times T_s \times \tan\theta \quad (3)$$

$$l'_2 - l'_1 = (D_2 - D_1) \times T_s \times \tan\beta \quad (4)$$

If the disturbance becomes smaller after one cycle, then:

$$\frac{\Delta l}{\Delta l'} = \frac{(D_2 - D_1) \times T_s \times \tan\theta}{(D_2 - D_1) \times T_s \times \tan\beta} > 1 \quad (5)$$

$$(1 - D)V_{in} > DV_{in} \quad (6)$$

$$D < 0.5 \quad (7)$$

It can be seen from the formula above that if the duty cycle is below 50%, the disturbance is reduced after one cycle. Similarly, if the duty cycle is above 50%, the disturbance is magnified, which leads to system instability. Therefore, proper slope compensation should be used to eliminate the problem.

2.2 Slope Compensation Function

If the inductor current rising, falling and the compensation slopes are set to be m_1 , m_2 and m' , respectively then the following formulas could be used to design system parameters when we want to cancel the sub-harmonic oscillation phenomenon.

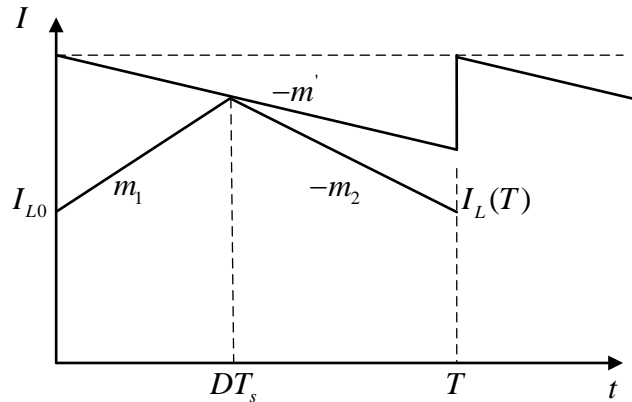


Figure 2. Inductor Current and Slope Compensation Waveform

$$\left| \frac{m_2 - m'}{m_1 + m'} \right| < 1 \tag{8}$$

$$\left| \frac{1 - \frac{m'}{m_2}}{\frac{1-D}{D} + \frac{m'}{m^2}} \right| < 1 \tag{9}$$

If D increases, then $\frac{1-D}{D}$ decreased, which means that $\left| \frac{1 - \frac{m'}{m_2}}{\frac{1-D}{D} + \frac{m'}{m^2}} \right|$ is higher.

Therefore, D_{max} is the worst case.

If $D = 1$, the turning point is at $m' = 0.5 m_2$.

From the waveform and formulas above, if $m' = 0.5 m_2$, the disturbance decreases cycle-by-cycle and finally disappears. Especially, if $m' = m_2$, the disturbance will vanish after one cycle (deadbeat control).

If D_{max} is smaller, m' can also set to be lower. If the $D_{max} = 0.66$, m' should be higher than $0.24 m_2$, correspondingly.

2.3 Accuracy of the Output Current

For buck topology, sometimes enough slope compensation is helpful to achieve current accuracy. However, if the slope compensation is too large, it also influences the accuracy of output current.

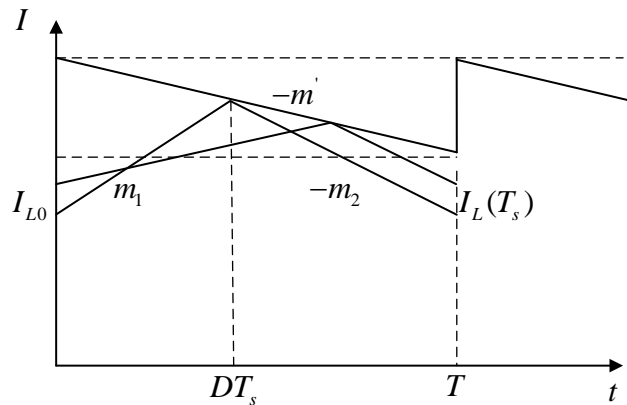


Figure 3. Inductor Current and Slope Compensation Waveform

When consider I_{c0} as the peak current without slope compensation (the dotted line), I_{avg} is the average current, m' is the slope compensation, so:

$$i_L(DT_s) = I_{c0} - m' DT_s \quad (10)$$

$$i_L(T_s) = I_{c0} - m' DT_s - m_2 D' T_s = i_L(0) \quad (11)$$

$$I_{avg} = I_{c0} - m' DT_s - \frac{m_2 (1-D) T_s}{2} \quad (12)$$

$$I_{avg} = I_{c0} - \frac{m_2 T_s}{2} + \left(\frac{m_2 - 2m'}{2} \right) DT_s \quad (13)$$

When set $m' > \frac{m_2}{2}$, if $D \uparrow$, the I_{avg} will \downarrow .

When set $m' < \frac{m_2}{2}$, if $D \uparrow$, the I_{avg} will \uparrow .

When set $m' = \frac{m_2}{2}$.

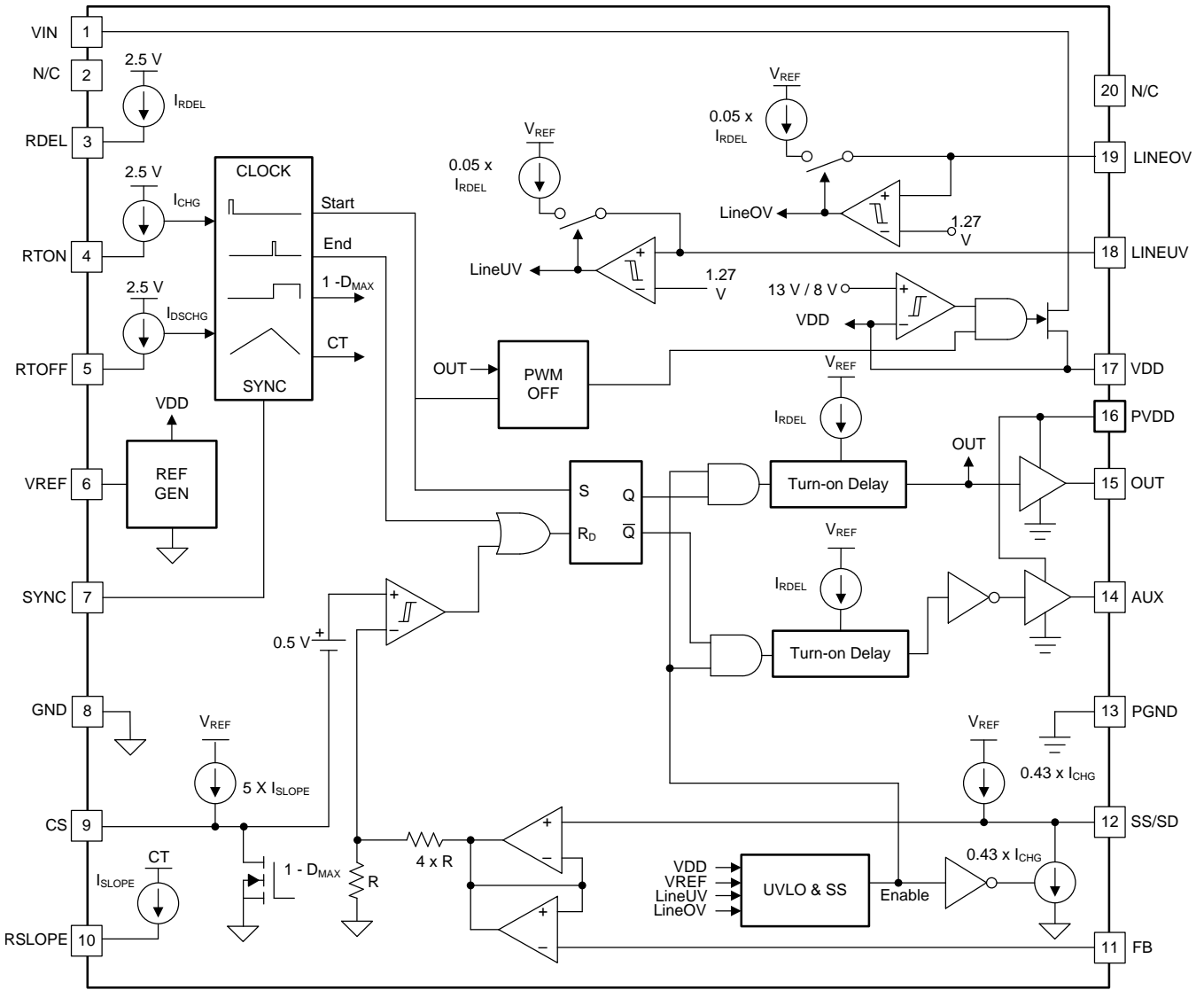
$$I_{avg} = I_{c0} - \frac{m_2 T_s}{2} \quad (14)$$

From the waveforms and formulas above, it can be seen that when $m' = 0.5 m_2$, the output current does not change with input voltage. If $m' < 0.5 m_2$, the output inductor current will be larger for low input voltage condition, and if $m' > 0.5 m_2$, the output inductor current will be larger for high input voltage condition.

From all the analysis above, the m' can be chosen to be $0.5 m_2$ in the slope compensation design

3 UCC2897A Slope Compensation Design

From the analysis and the function block diagram of the UCC2897A above, the following formulas can be derived.



Copyright © 2017, Texas Instruments Incorporated

Figure 4. Figure 4. UCC2897A Function Block Diagram

The slope compensation insertion current I_{slope} :

$$I_{slope} = \frac{2}{T_{onmax} R_{slope}} \tag{15}$$

So the slope compensation insertion voltage V_{slope} :

$$V_{slope} = 5I_{slope} R_2 \tag{16}$$

$$m_{sec} = \frac{V_{out}}{L} \tag{17}$$

$$m_p = \frac{m_{sec}}{N_p/N_s} \tag{18}$$

$$V_{cs} = m_p R_{cs} \quad (19)$$

The $m' = 0.5 m_2$ can derive the following formula:

$$V_{slope} = \frac{V_{cs}}{2} \quad (20)$$

$$\frac{5 \times 2 \times 2}{T_{onmax} R_{slope}} R_2 = \frac{V_{out}}{LN_p} N_s R_{cs} \quad (21)$$

So the R_{slope} should be:

$$R_{slope} = \frac{20R_2 LN_p}{T_{onmax} V_{out} N_s R_{cs}} \quad (22)$$

In the formulas, T_{onmax} is the max primary side mosfet turn on time, R_{cs} is the primary side current sample resistor, R_2 is the V_{RCS} filter resistor, L is the output inductor, N_p is the primary side turns of transformer, and N_s is the second side turns of transformer.

If R_{slope} is a standard value, it can be selected based on the T_{onmax} to cancel the sub-harmonic oscillation.

$$V_{slope}^n + V_{cs1} + V_{cs2} = 0.43v \quad (23)$$

V_{slope} is the slope compensation voltage added, V_{cs1} is the primary side current resistor voltage derived by second side load current, and V_{cs2} is the primary side current resistor voltage derived by the magnetic inductance field current.

$$\frac{V_{out} (1-D)T}{2L} = \frac{\Delta I}{2} \quad (24)$$

$$V_{cs1} = \left(I_o + \frac{\Delta I}{2} \right) \frac{N_s}{N_p} R_{cs} \quad (25)$$

$$V_{cs2} = \frac{V_{in}}{2L_m} R_{cs} DT \quad (26)$$

$$V_{slope}^n = V_{slope} T_{on} = \frac{2 \times 5R_2}{R_{slope} D_{max}} D \quad (27)$$

$$\frac{10R_2}{R_{slope} D_{max}} D + \frac{V_{in}}{2L_m} R_{cs} DT + \left[\frac{V_{out} (1-D)T}{2L} + I_o \right] \frac{N_s}{N_p} R_{cs} = 0.43 \quad (28)$$

4 Experiment

The application report uses the PMP6547 to verify the theory, and does the changes below. Change the R_{cs} to 50 m Ω , and change the R_{slope} to 68 k Ω .

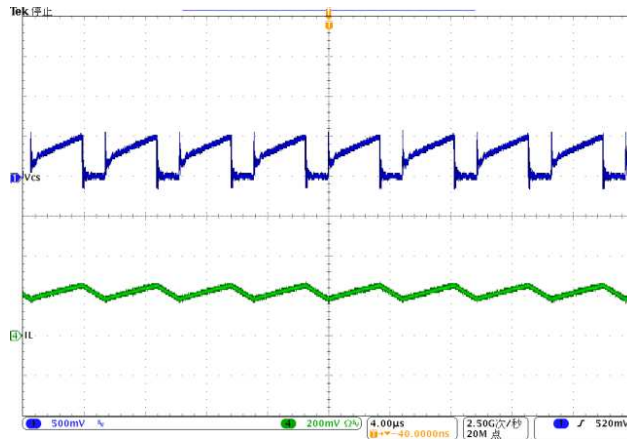


Figure 5. UCC2897A 18-V Input (Blue is the V_{cs} , Green is the Inductor Current)

The bench results are similar to the calculation results, which verifies the analysis above. In this case, the document sets the slope compensation with margin. If the customers want to get better accuracy performance, a larger value for R_{slope} can be chosen.

Table 1. Bench Results

INPUT VOLTAGE	CALCULATION RESULT IO	TEST RESULT IO
18 V	5.2 A	5 A
48 V	5.37 A	5.78 A
60 V	5.39 A	6.09 A

5 Summary

UCC2897A is an ideal peak current mode controller for active-clamp forward. For peak current mode controller, slope compensation is needed to cancel the sub-harmonic oscillation phenomenon. The application report shows why the sub-harmonic oscillation happens and how to design the slope compensation parameters. Finally, the report does experiments with PMP6547. Experimental results show the accuracy of the theoretical analysis.

6 References

- Datasheet: [UCC2897A Current-Mode Active Clamp PWM Controller, SLUS829](#).
- Application Report: [Understanding and Designing an Active Clamp Current Mode Controlled Converter, SLUA535](#).

IMPORTANT NOTICE FOR TI DESIGN INFORMATION AND RESOURCES

Texas Instruments Incorporated ("TI") technical, application or other design advice, services or information, including, but not limited to, reference designs and materials relating to evaluation modules, (collectively, "TI Resources") are intended to assist designers who are developing applications that incorporate TI products; by downloading, accessing or using any particular TI Resource in any way, you (individually or, if you are acting on behalf of a company, your company) agree to use it solely for this purpose and subject to the terms of this Notice.

TI's provision of TI Resources does not expand or otherwise alter TI's applicable published warranties or warranty disclaimers for TI products, and no additional obligations or liabilities arise from TI providing such TI Resources. TI reserves the right to make corrections, enhancements, improvements and other changes to its TI Resources.

You understand and agree that you remain responsible for using your independent analysis, evaluation and judgment in designing your applications and that you have full and exclusive responsibility to assure the safety of your applications and compliance of your applications (and of all TI products used in or for your applications) with all applicable regulations, laws and other applicable requirements. You represent that, with respect to your applications, you have all the necessary expertise to create and implement safeguards that (1) anticipate dangerous consequences of failures, (2) monitor failures and their consequences, and (3) lessen the likelihood of failures that might cause harm and take appropriate actions. You agree that prior to using or distributing any applications that include TI products, you will thoroughly test such applications and the functionality of such TI products as used in such applications. TI has not conducted any testing other than that specifically described in the published documentation for a particular TI Resource.

You are authorized to use, copy and modify any individual TI Resource only in connection with the development of applications that include the TI product(s) identified in such TI Resource. NO OTHER LICENSE, EXPRESS OR IMPLIED, BY ESTOPPEL OR OTHERWISE TO ANY OTHER TI INTELLECTUAL PROPERTY RIGHT, AND NO LICENSE TO ANY TECHNOLOGY OR INTELLECTUAL PROPERTY RIGHT OF TI OR ANY THIRD PARTY IS GRANTED HEREIN, including but not limited to any patent right, copyright, mask work right, or other intellectual property right relating to any combination, machine, or process in which TI products or services are used. Information regarding or referencing third-party products or services does not constitute a license to use such products or services, or a warranty or endorsement thereof. Use of TI Resources may require a license from a third party under the patents or other intellectual property of the third party, or a license from TI under the patents or other intellectual property of TI.

TI RESOURCES ARE PROVIDED "AS IS" AND WITH ALL FAULTS. TI DISCLAIMS ALL OTHER WARRANTIES OR REPRESENTATIONS, EXPRESS OR IMPLIED, REGARDING TI RESOURCES OR USE THEREOF, INCLUDING BUT NOT LIMITED TO ACCURACY OR COMPLETENESS, TITLE, ANY EPIDEMIC FAILURE WARRANTY AND ANY IMPLIED WARRANTIES OF MERCHANTABILITY, FITNESS FOR A PARTICULAR PURPOSE, AND NON-INFRINGEMENT OF ANY THIRD PARTY INTELLECTUAL PROPERTY RIGHTS.

TI SHALL NOT BE LIABLE FOR AND SHALL NOT DEFEND OR INDEMNIFY YOU AGAINST ANY CLAIM, INCLUDING BUT NOT LIMITED TO ANY INFRINGEMENT CLAIM THAT RELATES TO OR IS BASED ON ANY COMBINATION OF PRODUCTS EVEN IF DESCRIBED IN TI RESOURCES OR OTHERWISE. IN NO EVENT SHALL TI BE LIABLE FOR ANY ACTUAL, DIRECT, SPECIAL, COLLATERAL, INDIRECT, PUNITIVE, INCIDENTAL, CONSEQUENTIAL OR EXEMPLARY DAMAGES IN CONNECTION WITH OR ARISING OUT OF TI RESOURCES OR USE THEREOF, AND REGARDLESS OF WHETHER TI HAS BEEN ADVISED OF THE POSSIBILITY OF SUCH DAMAGES.

You agree to fully indemnify TI and its representatives against any damages, costs, losses, and/or liabilities arising out of your non-compliance with the terms and provisions of this Notice.

This Notice applies to TI Resources. Additional terms apply to the use and purchase of certain types of materials, TI products and services. These include; without limitation, TI's standard terms for semiconductor products (<http://www.ti.com/sc/docs/stdterms.htm>), [evaluation modules](#), and [samples](http://www.ti.com/sc/docs/sampterm.htm) (<http://www.ti.com/sc/docs/sampterm.htm>).

Mailing Address: Texas Instruments, Post Office Box 655303, Dallas, Texas 75265
Copyright © 2017, Texas Instruments Incorporated