

BQ24040 Application Report

Bill Johns

ABSTRACT

This application report discusses common standalone application circuits for the BQ24040 device. The BQ24040 is a single cell Li-Ion/Li-Pol battery charger that can charge at up to 1 A from a 5-V input source. The device is highly integrated and requires a minimum number of external parts and can be standalone or interface with a microcontroller.

Contents

1	Introduction	1
2	1-A Fast Charge Design	2
3	500-mA Fast Charge Design	2
4	100-mA Fast Charge Design	3
5	Pin Configuration.....	4
6	FAQ / Tips and Tricks:	4
7	R-ISET and R-TERM Common Values	5
8	Simplified EVM Schematic	5

List of Figures

1	BQ24040 1-A Fast Charge and 5% Termination	2
2	500-mA Fast Charge Design.....	3
3	100-mA Fast Charge Design.....	3
4	Simplified Schematic of EVM for Reference	6

List of Tables

1	BQ24040 Pin Configuration	4
2	R-ISET and R-TERM Common Values	5

Trademarks

All trademarks are the property of their respective owners.

1 Introduction

Three designs are presented in the following sections: 1-A Fast Charge, 500-mA Fast Charge, and 100-mA Fast Charge. These designs can be implemented as is or modified to meet your requirements. Note this is a simplified explanation of the device and typical values are used and descriptions are brief. The data sheet ([SLUS941](#)) provides a full explanation with min and max values.

2 1-A Fast Charge Design

Figure 1 provides a solution that will charge at 1 A with termination at 5% or 50 mA.

- R-ISET will set fast charge current to 1 A, 549 Ω .
- R-PRE-TERM will set termination current to 5%, 1.0 k Ω .
- R-TS is required and 10k NTC in battery pack is typical value.
- CHG LED is used to indicate charge status, this is optional not required.
- PG LED is used to indicate input and output voltage is good, this is optional and not required.
- ISET2 – Grounded to set regulate current using R-ISET

This application will support larger batteries that can be charged at a 1-A fast charge, typically 1.0 Ahr or greater capacity.

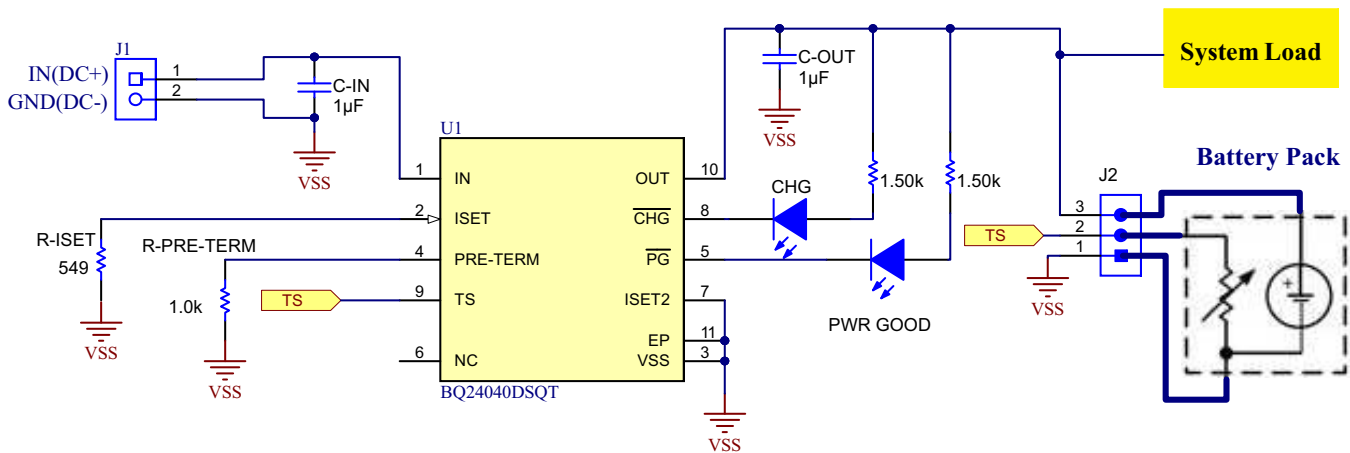


Figure 1. BQ24040 1-A Fast Charge and 5% Termination

3 500-mA Fast Charge Design

Figure 2 provides a lower power charging solution for smaller batteries with input current limited to 500 mA compatible with most USB ports / adapters.

- R-ISET will set fast charge current to 490 mA, 1.1 k Ω .
- R-PRE-TERM will set termination current to 10%, 2.0 k Ω .
- If the pin is open default is 10%
- R-TS is required and 10k NTC in battery pack is typical value.
- In lower power applications the NTC may not be needed or can be on PCB
- CHG LED is used to indicate charge status, this is optional and not required.
- PG LED optional not shown on this design.
- ISET2 – Pulled high to set regulate current to 500mA

This application will support medium power batteries.

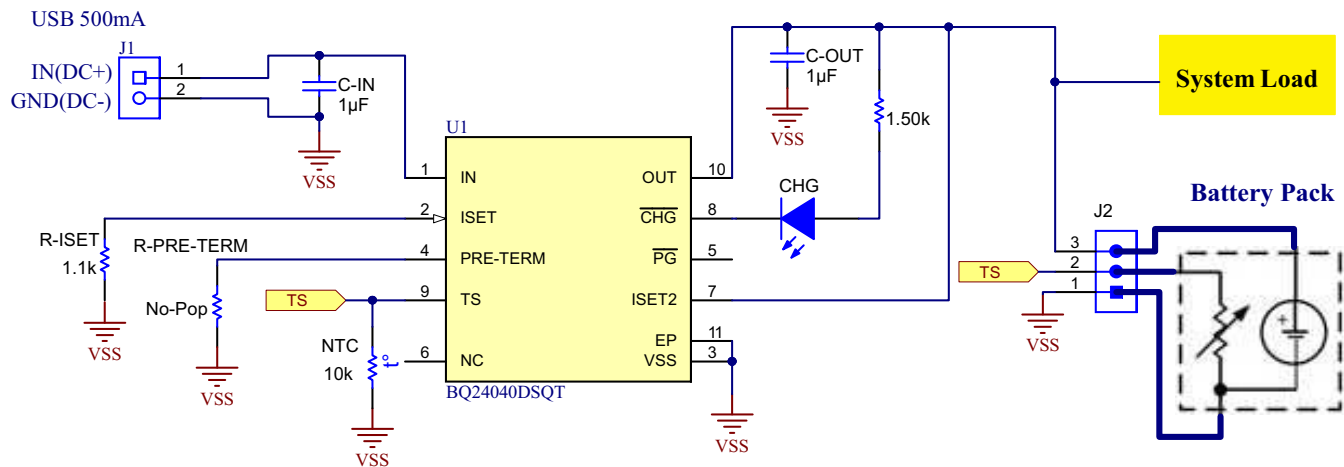


Figure 2. 500-mA Fast Charge Design

4 100-mA Fast Charge Design

Figure 3 provides a low power charging solution for smaller batteries with input current limited to 100 mA. The BQ24040 is a 2 mm x 2 mm package and requires few external components allowing a very small solution for small solution size space limited applications.

- R-ISET will set fast charge current to 100 mA, 5.49 kΩ.
- R-PRE-TERM will set 10%, open to reduce parts count.
- R-TS 10k NTC is shown on the board, typically not on smaller battery pack.
- CHG LED is used to indicate charge status, this is optional and not required.
- PG LED not used.
- ISET2 – Float to set input current to 100 mA
- Power in resistors are very low and a 0201 or 0402 package can be used.

Care should be take on the input and output capacitors and an effective value of 1 µF is required and smaller package performance due to DC bias may be a problem.

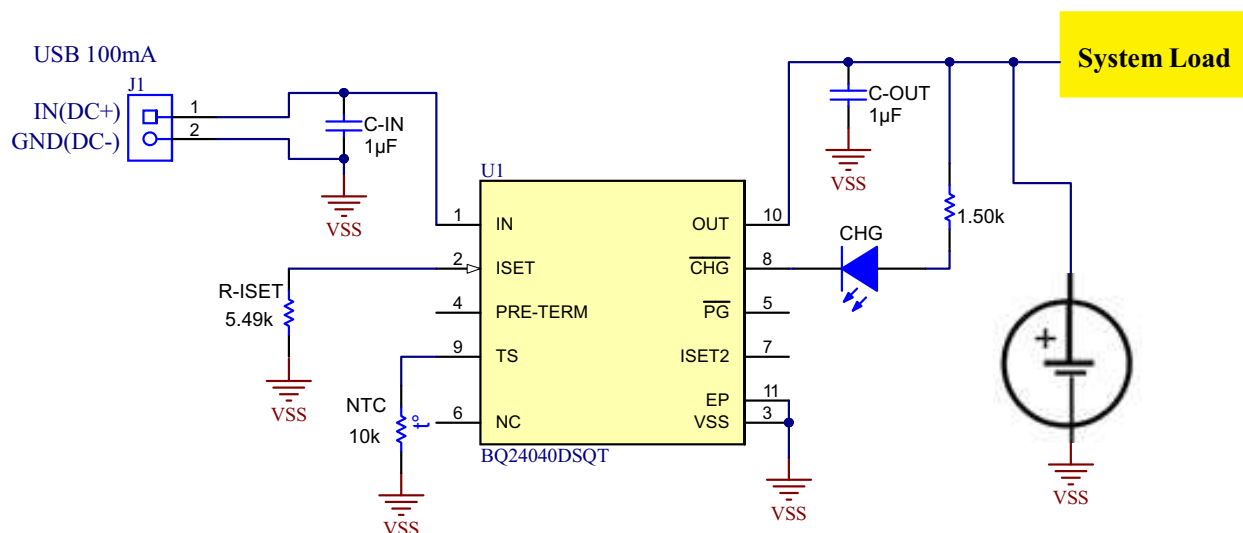


Figure 3. 100-mA Fast Charge Design

5 Pin Configuration

The table below lists a quick summary of the pins of the device.

Table 1. BQ24040 Pin Configuration

Pin - Name	Description	Comments
Pin 1 – IN	Input power USB or AC adapter	Operating range to 6.45 V with Max Vin 28 V
Pin 10 – OUT	Battery Connection / System Load	Battery Voltage 4.2 V
Pin 2 – ISET	Resistor R-ISET Sets Fast Charge Current, 549 Ω = 1 A	K-Set 540 A/ Ω
Pin 7 – ISET2	Sets Input Current limit	Hi = 500 mA, Low = ISET, Float = 100 mA
Pin 4 – Pre-Term	Resistor R-Pre-Term Sets Charge Termination current, 2 k = 10% of fast charge	K-Term 200 Ω /%Open = 10%
Pin 9 – TS	NTC Thermistor or 10-k Ω resistor	10 k = Safe
Pin 8 – $\overline{\text{CHG}}$	Open Drain output, Low = Charging	
Pin 5 – $\overline{\text{PG}}$	Open Drain output, Low = Input and Output voltage good	
Pin 6 – NC	No Connection	
Pin 3 – VSS/GND	Ground Terminal	
Thermal Pad – VSS/GND	Exposed thermal pad and ground connection	

6 FAQ / Tips and Tricks:

- During OVP unit cannot operate --- see Data Sheet ([SLUS941](#)) section 8.3.5
 - Max input voltage is 28 V but unit turns off above 7.5 V and will not operate above that point. Device will not be damaged up to 30 V, absolute maximum rating.
- Min input voltage --- Input to output voltage difference --- see Electrical Characteristics table VDO(IN-OUT)
 - Typical value is 325 mV but test condition is 50% reduction from 1-A output to 500 mA as V-in is reduced.
 - To hold output current at 1 A will require about 700 mV.
- Float TERM pin to set pre-charge and termination to typical value --- see Data Sheet section 8.4.6.
 - Termination can be set with a resistor at TERM pin, but if a typical value of pre-charge to 20% and termination to 10% is desired the pin can be floated.
- Limited output current at low battery voltage.
 - Battery voltage less than 0.8-V output current is limited to 15 mA, Battery Short Protection.
 - Battery voltage between 0.8-V and 2.5-V output current is limited to precharge current set by TERM pin typically 20% of fast charge.
 - Battery voltage above 2.5-V current will be a maximum value set by ISET pin.
- Termination disable (TTDM) using TS pin --- see Data Sheet section 8.4.8
 - 4.2-V power supply mode when battery is fully charged.
 - Start up in this mode will require very light load, must pass Battery Short Protection and Precharge to provide full current.
 - If no battery is present it may require load disable or load switch to allow voltage to reach 2.5 V to start up.
- Efficiency of charge, what is power dissipation, how to reduce power dissipation
 - Linear charger will act as a LDO and efficiency will be V_{out} / V_{in} .
 - Closer V_{in} is to V_{out} the better the efficiency and lower the power dissipation.
- Power good pin — see Data Sheet section 8.3.6
 - Open drain output and low indicates input power good.
 - Input power above UVLO (3.5 V) and VBAT +VDT (VDT = 80 mV)

- Charge complete pin — see Data Sheet section 8.3.7
 - Open drain output and low indicates charge in progress.
 - Active only for first charge, no indication on recharge.
 - Can be reset by cycling input power.
- Output current monitor at ISET — see Data Sheet section 8.4.5
 - ISET is a current source that is proportional to output current. Voltage developed on the R-ISET resistor will represent output current and can be monitored by external circuit.
- Open Battery — see Data Sheet section 8.4.12
 - With no battery present open battery detect circuit will result in a 50-ms square wave at OUT.
- Thermal Regulation, limit output current
 - If the die temperature reaches 125°C, the output current is reduced to control temperature.
 - If the die temperature increases to 155°C, the unit shuts down until temperature decreases.
- Thermal Pad for improved heat dissipation.
 - The device has an exposed thermal pad that should be soldered to PCB with sufficient copper area to manage power dissipation. Electrical connection is to ground.
- TS pin in a battery temperature application will use JEITA standard
 - The operating temperature range is 0°C to 60°C, with reduced current 0°C to 10°C, and reduced voltage from 45°C to 60°C.

7 R-ISET and R-TERM Common Values

Calculations for resistors ISET and TERM are provided in the data sheet. The following table provides a quick reference. Note that values shown are calculated and are not the nearest standard resistor value.

Table 2. R-ISET and R-TERM Common Values

I-SET (mA)	R-ISET		%-Term	R-TERM
100	5400		5	1000
200	2700		10	2000
300	1800		15	3000
400	1350		20	4000
500	1080		25	5000
600	900		30	6000
700	771		35	7000
800	675		40	8000
900	600		45	9000
1000	540		50	10000

8 Simplified EVM Schematic

The EVM schematic shown is simplified for the BQ24040 application.

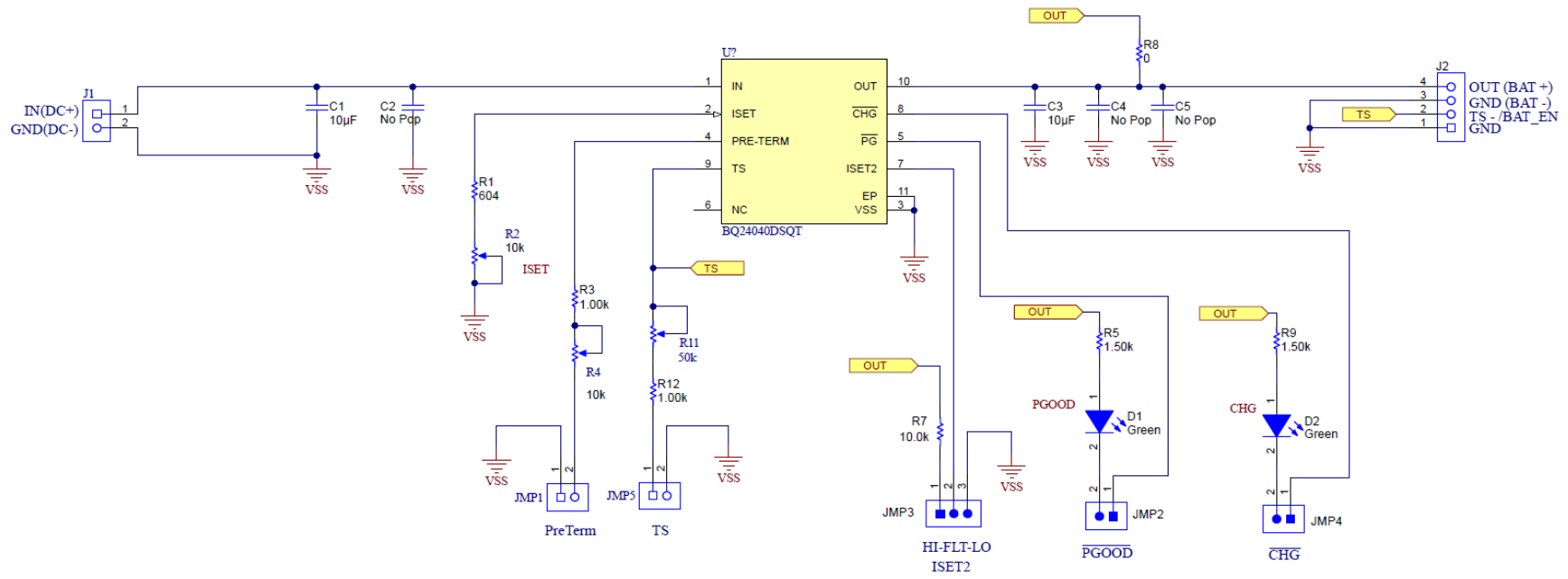


Figure 4. Simplified Schematic of EVM for Reference

IMPORTANT NOTICE FOR TI DESIGN INFORMATION AND RESOURCES

Texas Instruments Incorporated ("TI") technical, application or other design advice, services or information, including, but not limited to, reference designs and materials relating to evaluation modules, (collectively, "TI Resources") are intended to assist designers who are developing applications that incorporate TI products; by downloading, accessing or using any particular TI Resource in any way, you (individually or, if you are acting on behalf of a company, your company) agree to use it solely for this purpose and subject to the terms of this Notice.

TI's provision of TI Resources does not expand or otherwise alter TI's applicable published warranties or warranty disclaimers for TI products, and no additional obligations or liabilities arise from TI providing such TI Resources. TI reserves the right to make corrections, enhancements, improvements and other changes to its TI Resources.

You understand and agree that you remain responsible for using your independent analysis, evaluation and judgment in designing your applications and that you have full and exclusive responsibility to assure the safety of your applications and compliance of your applications (and of all TI products used in or for your applications) with all applicable regulations, laws and other applicable requirements. You represent that, with respect to your applications, you have all the necessary expertise to create and implement safeguards that (1) anticipate dangerous consequences of failures, (2) monitor failures and their consequences, and (3) lessen the likelihood of failures that might cause harm and take appropriate actions. You agree that prior to using or distributing any applications that include TI products, you will thoroughly test such applications and the functionality of such TI products as used in such applications. TI has not conducted any testing other than that specifically described in the published documentation for a particular TI Resource.

You are authorized to use, copy and modify any individual TI Resource only in connection with the development of applications that include the TI product(s) identified in such TI Resource. NO OTHER LICENSE, EXPRESS OR IMPLIED, BY ESTOPPEL OR OTHERWISE TO ANY OTHER TI INTELLECTUAL PROPERTY RIGHT, AND NO LICENSE TO ANY TECHNOLOGY OR INTELLECTUAL PROPERTY RIGHT OF TI OR ANY THIRD PARTY IS GRANTED HEREIN, including but not limited to any patent right, copyright, mask work right, or other intellectual property right relating to any combination, machine, or process in which TI products or services are used. Information regarding or referencing third-party products or services does not constitute a license to use such products or services, or a warranty or endorsement thereof. Use of TI Resources may require a license from a third party under the patents or other intellectual property of the third party, or a license from TI under the patents or other intellectual property of TI.

TI RESOURCES ARE PROVIDED "AS IS" AND WITH ALL FAULTS. TI DISCLAIMS ALL OTHER WARRANTIES OR REPRESENTATIONS, EXPRESS OR IMPLIED, REGARDING TI RESOURCES OR USE THEREOF, INCLUDING BUT NOT LIMITED TO ACCURACY OR COMPLETENESS, TITLE, ANY EPIDEMIC FAILURE WARRANTY AND ANY IMPLIED WARRANTIES OF MERCHANTABILITY, FITNESS FOR A PARTICULAR PURPOSE, AND NON-INFRINGEMENT OF ANY THIRD PARTY INTELLECTUAL PROPERTY RIGHTS.

TI SHALL NOT BE LIABLE FOR AND SHALL NOT DEFEND OR INDEMNIFY YOU AGAINST ANY CLAIM, INCLUDING BUT NOT LIMITED TO ANY INFRINGEMENT CLAIM THAT RELATES TO OR IS BASED ON ANY COMBINATION OF PRODUCTS EVEN IF DESCRIBED IN TI RESOURCES OR OTHERWISE. IN NO EVENT SHALL TI BE LIABLE FOR ANY ACTUAL, DIRECT, SPECIAL, COLLATERAL, INDIRECT, PUNITIVE, INCIDENTAL, CONSEQUENTIAL OR EXEMPLARY DAMAGES IN CONNECTION WITH OR ARISING OUT OF TI RESOURCES OR USE THEREOF, AND REGARDLESS OF WHETHER TI HAS BEEN ADVISED OF THE POSSIBILITY OF SUCH DAMAGES.

You agree to fully indemnify TI and its representatives against any damages, costs, losses, and/or liabilities arising out of your non-compliance with the terms and provisions of this Notice.

This Notice applies to TI Resources. Additional terms apply to the use and purchase of certain types of materials, TI products and services. These include; without limitation, TI's standard terms for semiconductor products (<http://www.ti.com/sc/docs/stdterms.htm>), [evaluation modules](#), and [samples](http://www.ti.com/sc/docs/sampterm.htm) (<http://www.ti.com/sc/docs/sampterm.htm>).

Mailing Address: Texas Instruments, Post Office Box 655303, Dallas, Texas 75265
Copyright © 2018, Texas Instruments Incorporated

IMPORTANT NOTICE FOR TI DESIGN INFORMATION AND RESOURCES

Texas Instruments Incorporated ("TI") technical, application or other design advice, services or information, including, but not limited to, reference designs and materials relating to evaluation modules, (collectively, "TI Resources") are intended to assist designers who are developing applications that incorporate TI products; by downloading, accessing or using any particular TI Resource in any way, you (individually or, if you are acting on behalf of a company, your company) agree to use it solely for this purpose and subject to the terms of this Notice.

TI's provision of TI Resources does not expand or otherwise alter TI's applicable published warranties or warranty disclaimers for TI products, and no additional obligations or liabilities arise from TI providing such TI Resources. TI reserves the right to make corrections, enhancements, improvements and other changes to its TI Resources.

You understand and agree that you remain responsible for using your independent analysis, evaluation and judgment in designing your applications and that you have full and exclusive responsibility to assure the safety of your applications and compliance of your applications (and of all TI products used in or for your applications) with all applicable regulations, laws and other applicable requirements. You represent that, with respect to your applications, you have all the necessary expertise to create and implement safeguards that (1) anticipate dangerous consequences of failures, (2) monitor failures and their consequences, and (3) lessen the likelihood of failures that might cause harm and take appropriate actions. You agree that prior to using or distributing any applications that include TI products, you will thoroughly test such applications and the functionality of such TI products as used in such applications. TI has not conducted any testing other than that specifically described in the published documentation for a particular TI Resource.

You are authorized to use, copy and modify any individual TI Resource only in connection with the development of applications that include the TI product(s) identified in such TI Resource. NO OTHER LICENSE, EXPRESS OR IMPLIED, BY ESTOPPEL OR OTHERWISE TO ANY OTHER TI INTELLECTUAL PROPERTY RIGHT, AND NO LICENSE TO ANY TECHNOLOGY OR INTELLECTUAL PROPERTY RIGHT OF TI OR ANY THIRD PARTY IS GRANTED HEREIN, including but not limited to any patent right, copyright, mask work right, or other intellectual property right relating to any combination, machine, or process in which TI products or services are used. Information regarding or referencing third-party products or services does not constitute a license to use such products or services, or a warranty or endorsement thereof. Use of TI Resources may require a license from a third party under the patents or other intellectual property of the third party, or a license from TI under the patents or other intellectual property of TI.

TI RESOURCES ARE PROVIDED "AS IS" AND WITH ALL FAULTS. TI DISCLAIMS ALL OTHER WARRANTIES OR REPRESENTATIONS, EXPRESS OR IMPLIED, REGARDING TI RESOURCES OR USE THEREOF, INCLUDING BUT NOT LIMITED TO ACCURACY OR COMPLETENESS, TITLE, ANY EPIDEMIC FAILURE WARRANTY AND ANY IMPLIED WARRANTIES OF MERCHANTABILITY, FITNESS FOR A PARTICULAR PURPOSE, AND NON-INFRINGEMENT OF ANY THIRD PARTY INTELLECTUAL PROPERTY RIGHTS.

TI SHALL NOT BE LIABLE FOR AND SHALL NOT DEFEND OR INDEMNIFY YOU AGAINST ANY CLAIM, INCLUDING BUT NOT LIMITED TO ANY INFRINGEMENT CLAIM THAT RELATES TO OR IS BASED ON ANY COMBINATION OF PRODUCTS EVEN IF DESCRIBED IN TI RESOURCES OR OTHERWISE. IN NO EVENT SHALL TI BE LIABLE FOR ANY ACTUAL, DIRECT, SPECIAL, COLLATERAL, INDIRECT, PUNITIVE, INCIDENTAL, CONSEQUENTIAL OR EXEMPLARY DAMAGES IN CONNECTION WITH OR ARISING OUT OF TI RESOURCES OR USE THEREOF, AND REGARDLESS OF WHETHER TI HAS BEEN ADVISED OF THE POSSIBILITY OF SUCH DAMAGES.

You agree to fully indemnify TI and its representatives against any damages, costs, losses, and/or liabilities arising out of your non-compliance with the terms and provisions of this Notice.

This Notice applies to TI Resources. Additional terms apply to the use and purchase of certain types of materials, TI products and services. These include; without limitation, TI's standard terms for semiconductor products (<http://www.ti.com/sc/docs/stdterms.htm>), [evaluation modules](#), and [samples](http://www.ti.com/sc/docs/sampterm.htm) (<http://www.ti.com/sc/docs/sampterm.htm>).

Mailing Address: Texas Instruments, Post Office Box 655303, Dallas, Texas 75265
Copyright © 2018, Texas Instruments Incorporated