

Measuring the Bode Plot of D-CAP™, D-CAP2™, and D-CAP3™ DC/DC Converters



Richard Nowakowski

Buck Switch Regulators

ABSTRACT

The stability test is an important part of the evaluation of a DC/DC converter. If done properly, the Bode plot result can be a very quick and useful way to help you gauge the stability of the converter. In the absence of a theoretical analysis, use a network analyzer to measure the Bode plot and confirm the stability of the design. The control-loop gain, which can be plotted in a Bode plot, is a very good indicator of the stability of the DC/DC converter.

Table of Contents

1 D-CAP Feedback Loop.....	1
2 D-CAP Bode Plot Measurement Setup.....	3
3 Bode Plot Measurements.....	4
4 Transient Response Waveforms.....	5
5 D-CAP2 and D-CAP3 Bode Plot Measurement Setup.....	6
6 Measurement Tips.....	6
7 Summary.....	6
8 Additional Resources.....	6

List of Figures

Figure 1-1. Voltage-Mode or Current-Mode Control-Loop Gain Setup.....	2
Figure 1-2. Block Diagram of a D-CAP Regulator With an External DCR Injection Circuit.....	2
Figure 1-3. Proper D-CAP Regulator Control-Loop Bode Plot Measurement Setup.....	3
Figure 3-1. Bode Plots Measured With the Proposed Test Setup.....	4
Figure 4-1. Step-Up Load Transient Response.....	5
Figure 4-2. Step-Down Load Transient Response.....	5
Figure 5-1. Proper D-CAP2 and D-CAP3 Control-Loop Bode Plot Measurement Setup.....	6

Trademarks

D-CAP™ are trademarks of Texas Instruments.
All trademarks are the property of their respective owners.

1 D-CAP Feedback Loop

DC/DC converters using D-CAP, D-CAP2, and D-CAP3 control architectures, referred to as D-CAPx in this report, became popular for their fast transient response with minimal output capacitance and their simplicity by eliminating external compensation components. The D-CAPx control architecture, a derivative of non-linear constant on-time control, poses a challenge for designers when measuring the control-loop gain. As [Figure 1-1](#) shows, breaking the control loop is the proper technique for traditional linear control architectures, like voltage-mode control and current-mode control, where there is only one output feedback path. But when measuring the control-loop gain for D-CAPx architectures, a different approach is necessary. The D-CAPx control architecture has two direct output feedback paths as shown in [Figure 1-2](#): one through the feedback resistor divider network R_{up} and R_{low} , and the other through the direct current resistance (DCR) injection circuit R_p , C_p , and C_{ff} . The D-CAPx control system does not have a high DC gain error amplifier like the traditional type II or type III compensator of current-mode or voltage-mode control architectures, where the FB pin is usually the negative input of the error amplifier. For D-CAPx converters, the FB pin is only one of the inputs of the PWM comparator. By leaving out one of the feedback path outputs of the measurement, the Bode plot measured using the setup

in Figure 1-1 does not directly correlate to the transient response waveforms. To properly measure the loop-gain Bode plot, the loop breaking point must include both feedback paths, as Figure 1-3 shows.

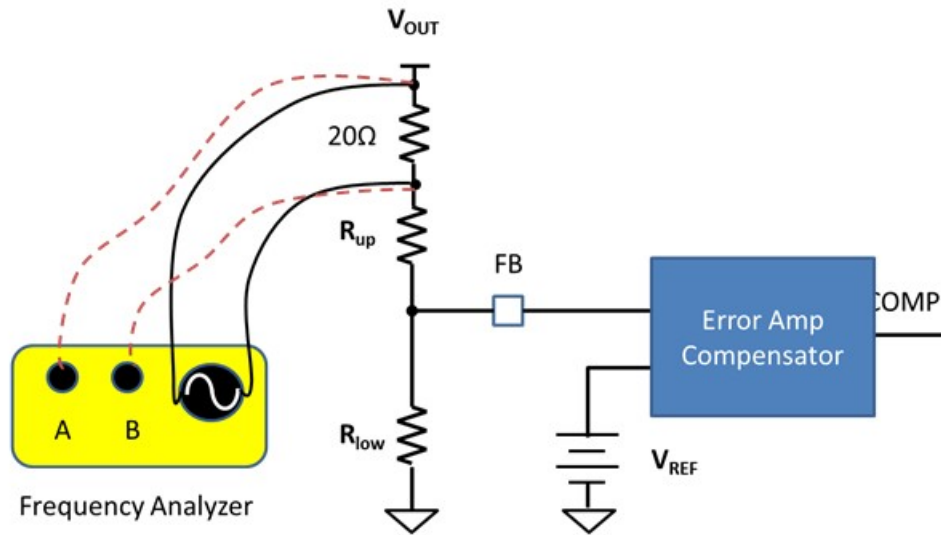


Figure 1-1. Voltage-Mode or Current-Mode Control-Loop Gain Setup

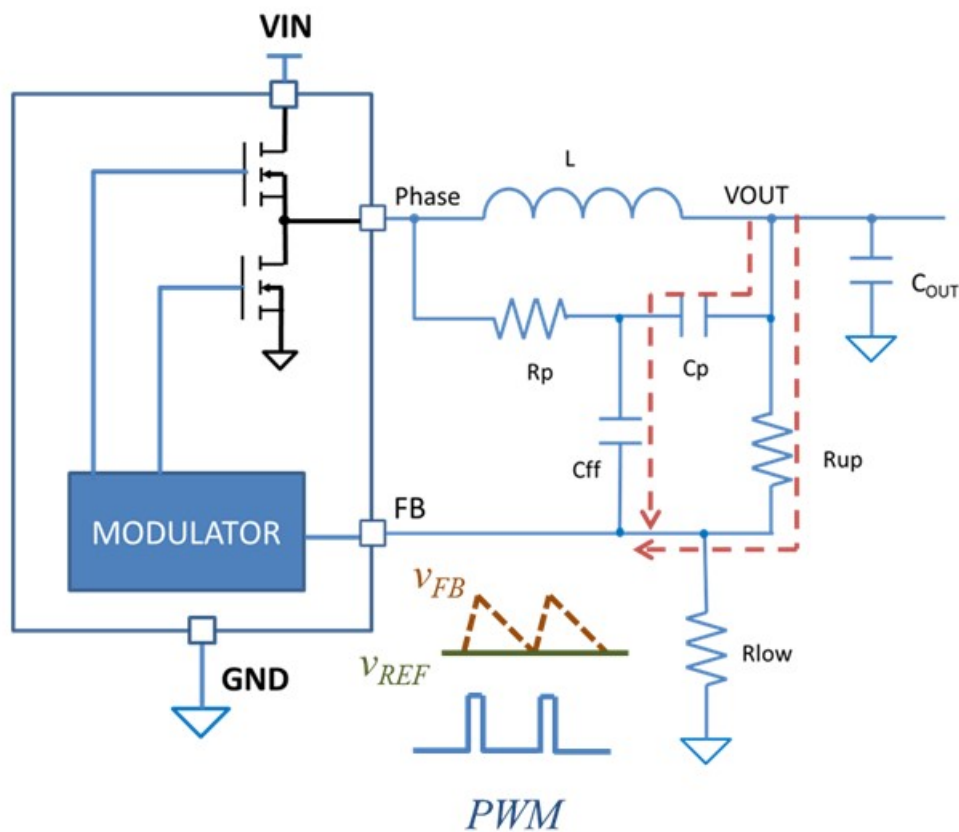


Figure 1-2. Block Diagram of a D-CAP Regulator With an External DCR Injection Circuit

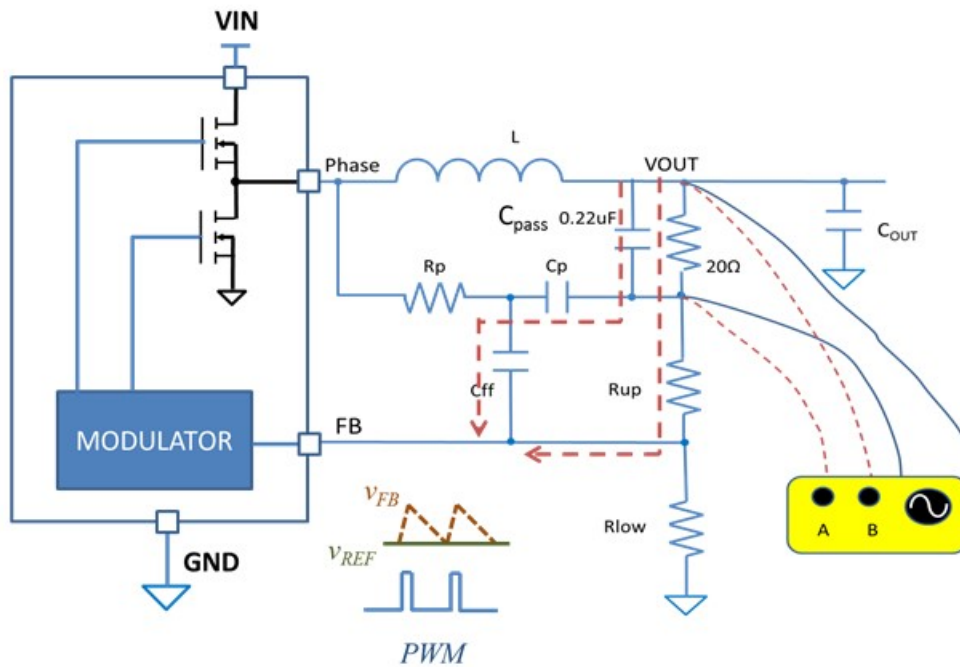


Figure 1-3. Proper D-CAP Regulator Control-Loop Bode Plot Measurement Setup

2 D-CAP Bode Plot Measurement Setup

For D-CAPx regulators, the PWM modulation gain is determined by the falling slope of the triangular waveform formed at the FB pin by the DCR injection network and output-capacitor equivalent series resistance (ESR). The parasitic inductance and resistance along the injection cable and noise coupled into the wires distorts the triangular waveform at the FB pin, which renders a different PWM modulation gain than the regulator with an improper test setup. To preserve accuracy, a bypass capacitor, C_{pass} , is added in parallel to a 20- Ω resistor by forming a high-pass filter. The corner frequency is set lower than one-half of the switching frequency of the converter so that the triangular waveform at the FB pin during the testing remains similar to that during normal operation. A 0.22 μF capacitor is used for a converter switching at 500 Hz in this example. For most applications, the proper C_{pass} value would be from 0.1 μF to 0.47 μF . To minimize the effect on the system, the DCR injection capacitor, C_p , should be less than one-tenth of C_{pass} , as Figure 1-3 shows.

3 Bode Plot Measurements

Figure 3-1 shows the Bode plot measurement results using the test setup shown in Figure 1-3 using the TPS53319 using an external DCR injection circuit and programmed to 1.2-V output. A capacitor value of 0.22 μF is chosen for C_{PASS} and 22 nF for C_{p} . By adjusting R_{p} and C_{ff} , the crossover frequency is set at one-sixth of the switching frequency with a phase margin of 66 degrees.

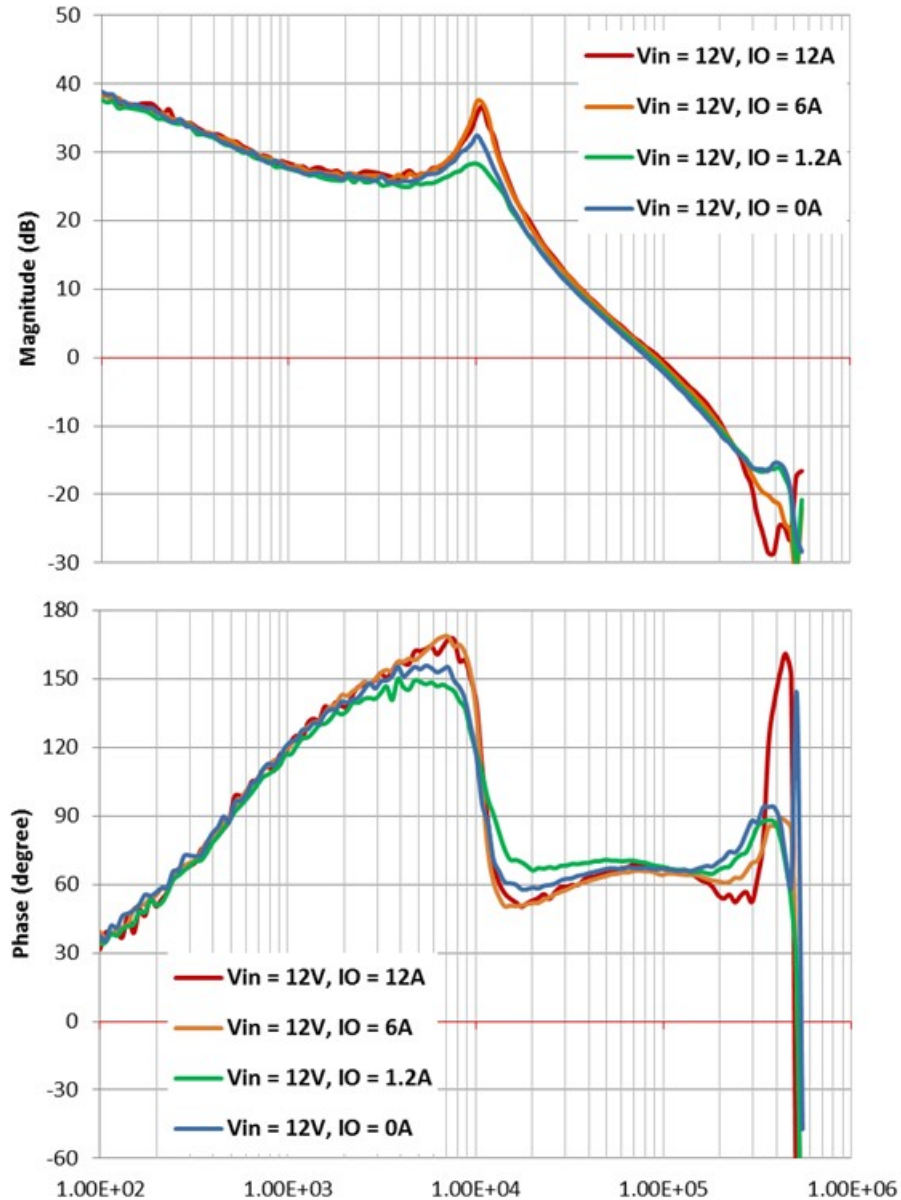


Figure 3-1. Bode Plots Measured With the Proposed Test Setup

4 Transient Response Waveforms

Figure 4-1 and Figure 4-2 show the corresponding transient response waveforms during step-up and step-down load transients using the TPS53319 configured with a 1.2-V output. The transient waveform behavior correlates to the Bode plot in Figure 3-1.

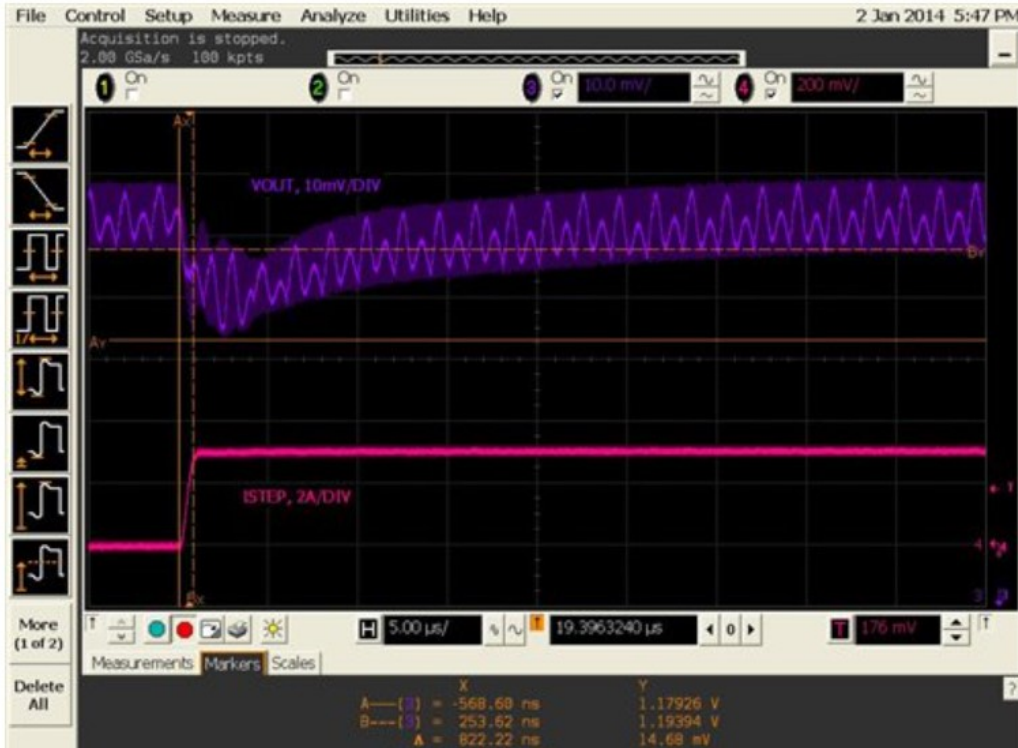


Figure 4-1. Step-Up Load Transient Response



Figure 4-2. Step-Down Load Transient Response

5 D-CAP2 and D-CAP3 Bode Plot Measurement Setup

For D-CAP2 and D-CAP3 control systems, the DCR injection circuit is integrated inside the integrated circuit. However, the same technique is applicable. Figure 5-1 shows the loop Bode plot test setup for both D-CAP2 and D-CAP3 converters.

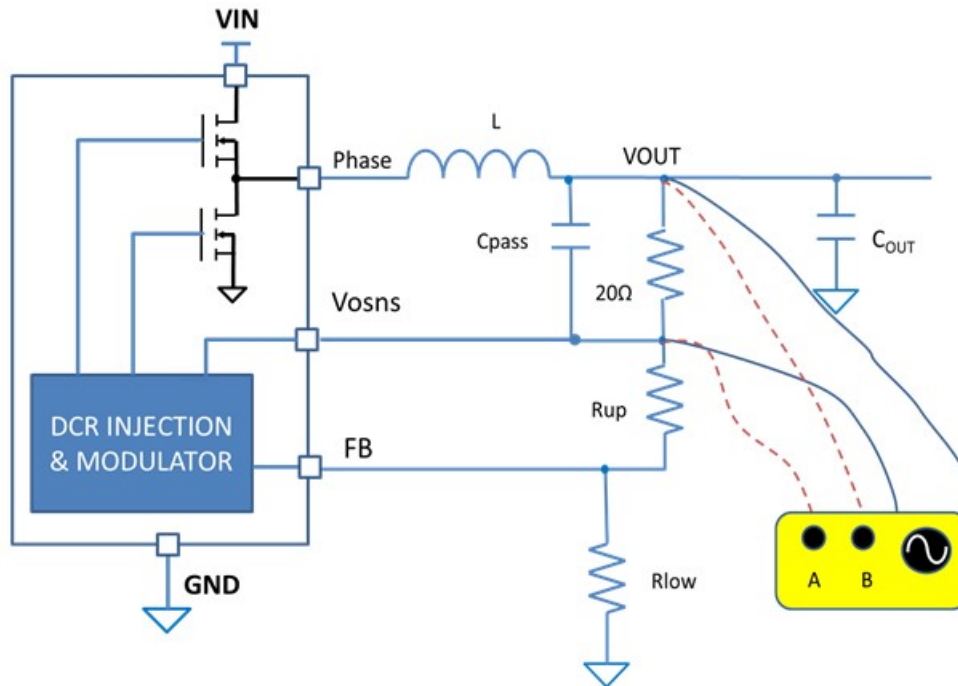


Figure 5-1. Proper D-CAP2 and D-CAP3 Control-Loop Bode Plot Measurement Setup

6 Measurement Tips

To obtain a good Bode plot measurement, it is important to pay attention to the setup and take precautionary steps to reduce measurement errors. Some basic recommendations are:

- Before taking the measurement, calibrate the network analyzer or do a 0-dB measurement to ensure flat gain and zero phase across the frequency range of interest.
- Use the analog ground of the controller or converter as the reference for the Bode plot probes.
- Keep the probes far away from the inductor to avoid coupling the inductor magnetic-field signal onto the AC injection magnitude.
- If possible, use the resistive power dissipation at the load connection instead of the electronic current source mode.

7 Summary

Bode plots are measurable for DCAP, D-CAP2, and D-CAP3 converters. With the technique provided, Bode plots can be measured to assure system stability and to serve as a guideline to optimize load transient performance. To obtain a trustworthy Bode plot result that gives you confidence about your system, take some precautionary setup steps to minimize errors.

8 Additional Resources

- Texas Instruments, [D-CAP3 – A sequel better than the original](#)
- Texas Instruments, [Design advantage of D-CAP control topology](#)

IMPORTANT NOTICE AND DISCLAIMER

TI PROVIDES TECHNICAL AND RELIABILITY DATA (INCLUDING DATASHEETS), DESIGN RESOURCES (INCLUDING REFERENCE DESIGNS), APPLICATION OR OTHER DESIGN ADVICE, WEB TOOLS, SAFETY INFORMATION, AND OTHER RESOURCES "AS IS" AND WITH ALL FAULTS, AND DISCLAIMS ALL WARRANTIES, EXPRESS AND IMPLIED, INCLUDING WITHOUT LIMITATION ANY IMPLIED WARRANTIES OF MERCHANTABILITY, FITNESS FOR A PARTICULAR PURPOSE OR NON-INFRINGEMENT OF THIRD PARTY INTELLECTUAL PROPERTY RIGHTS.

These resources are intended for skilled developers designing with TI products. You are solely responsible for (1) selecting the appropriate TI products for your application, (2) designing, validating and testing your application, and (3) ensuring your application meets applicable standards, and any other safety, security, or other requirements. These resources are subject to change without notice. TI grants you permission to use these resources only for development of an application that uses the TI products described in the resource. Other reproduction and display of these resources is prohibited. No license is granted to any other TI intellectual property right or to any third party intellectual property right. TI disclaims responsibility for, and you will fully indemnify TI and its representatives against, any claims, damages, costs, losses, and liabilities arising out of your use of these resources.

TI's products are provided subject to TI's Terms of Sale (<https://www.ti.com/legal/termsofsale.html>) or other applicable terms available either on [ti.com](https://www.ti.com) or provided in conjunction with such TI products. TI's provision of these resources does not expand or otherwise alter TI's applicable warranties or warranty disclaimers for TI products.

Mailing Address: Texas Instruments, Post Office Box 655303, Dallas, Texas 75265
Copyright © 2021, Texas Instruments Incorporated