

Adding Hysteresis to Low-Battery Input on the TPS6205x

Katherine Kim

PMP - Portable Power

ABSTRACT

The low-battery input (LBI), available on several step-down converters, is often used to shut down the converter when the input voltage falls below a set threshold. This prevents damage to the battery and signals that the battery is at the end of its life and should be charged or replaced. Batteries have internal resistance that causes the voltage to drop as the load increases. This internal resistance introduces a challenge when monitoring the battery level. When the converter shuts off and current draw drops to zero, the reduced current flow through the internal resistance of the battery causes the battery’s terminal voltage to increase. In many cases, the voltage increases above the LBI threshold, which causes the device to turn on and begin drawing current. This then leads to a drop across the internal resistance that trips the LBI threshold again and turns off the device, and the process repeats. This adds an unwanted oscillation to the output as the converter turns on and off. Adding hysteresis to the low-battery input eliminates this oscillatory behavior. This application report describes how to add hysteresis to the LBI circuitry for the TPS6205x converter.

Contents

1	Basic Operation	1
2	Need for Hysteresis	2
3	Adding Hysteresis to LBI	2

List of Figures

1	External Circuitry for Increased LBI Hysteresis.....	2
2	Hysteresis Circuit	3
3	Hysteresis Circuit	3

List of Tables

1	Example System Requirements	4
2	Calculated vs Measured Trip Points	5

1 Basic Operation

The TPS6205x is a synchronous, step-down converter with a low-battery input that produces a signal when the input voltage drops below a set threshold. The low-battery input (LBI) pin compares the voltage on the pin to an internal reference voltage of 1.21 V. If the LBI voltage is greater than the reference voltage, the low-battery output (LBO) pin has high impedance. When the LBI voltage drops below the internal reference, the open-drain LBO pin is pulled low indicating a low battery. The LBO output is typically used to signal the devices being powered that the input voltage has dropped below the level required to maintain regulation. The TPS62051 features an enhanced low-battery detector that disables the device when LBI is below the threshold in addition to asserting the LBO flag. The device operates as normal when LBI is above the threshold.

MathCAD is a trademark of Mathsoft, Inc..
Excel is a trademark of Microsoft Corporation.

2 Need for Hysteresis

When using a battery to power the device, the LBI is useful for shutting off the system when the battery is close to the end of its life. Once the input voltage falls below the trip point, the LBO flag is asserted and for the TPS62051, operation is suspended. As the current decreases, the battery voltage increases due to reduced current flow through the internal resistance of the battery. If the voltage increase is high enough to exceed the LBI threshold voltage, the LBO signal is unasserted and, in the case of the TPS62051, the converter resumes operation. As operation resumes, the current drawn from the battery causes the battery voltage to drop below the LBI threshold voltage once again. This cycle continues, draining the battery further and potentially damaging the battery or the system. Ideally, the system turns back on only when a battery with adequate capacity is powering the system. This is achieved by adding hysteresis to the LBI pin, which increases the threshold voltage that turns the converter back on while maintaining the falling LBI threshold.

3 Adding Hysteresis to LBI

3.1 Governing Equations

The LBI input for the TPS6205x converter has an internal hysteresis of 15 mV, but this is inadequate for some applications. The hysteresis is increased by adding one resistor (R7) to the LBI and LBO circuitry. [Figure 1](#) shows the schematic for increased hysteresis on LBI.

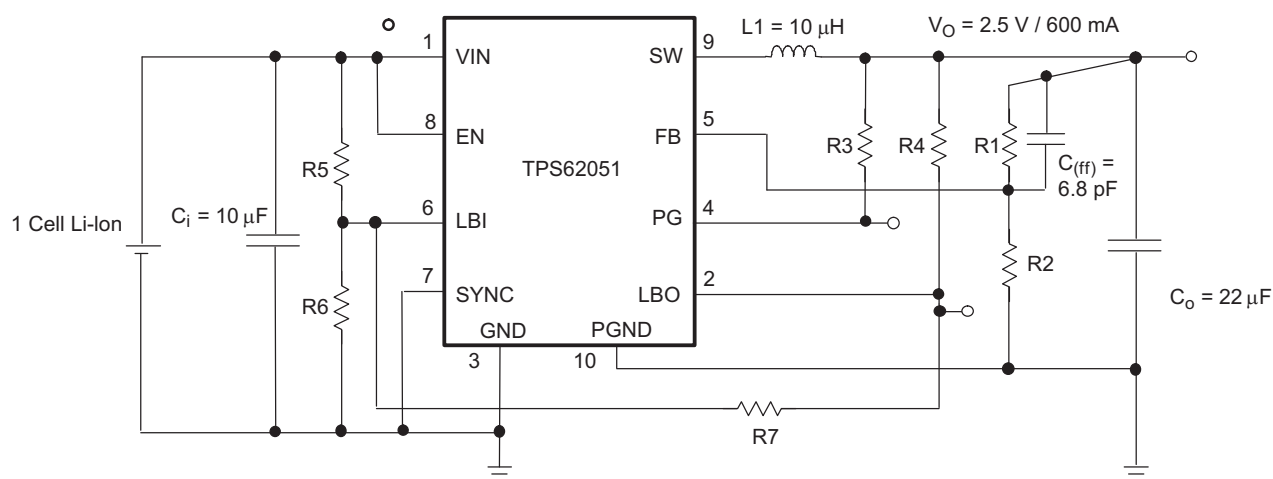


Figure 1. External Circuitry for Increased LBI Hysteresis

[Figure 2](#) shows the LBI circuitry, which incorporates the internal comparator and pull-down transistor. The reference voltage (VREF) is internally fixed at 1.21 V. Resistors R5 and R6 act as the voltage divider from the input voltage of the battery (VBAT) to the voltage on the LBI input (VLBI). The resistor R4 acts as a pullup resistor for the LBO voltage (VLBO) when the drain is open. The resistor R7 is the key component to the hysteresis.

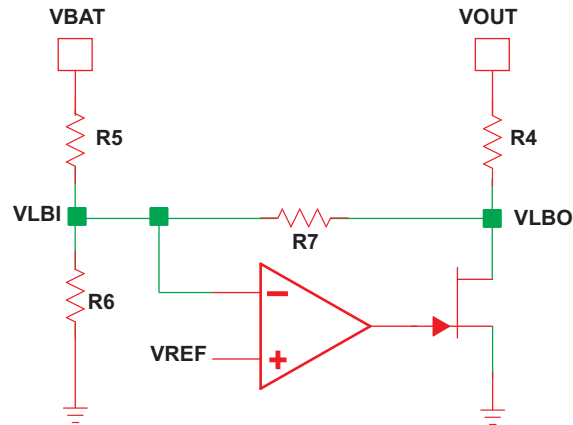


Figure 2. Hysteresis Circuit

As shown in [Figure 3](#), the two states that this circuit exhibits are (a) VLBI is above VREF and VLBO is high impedance, or (b) VLBI is below VREF and VLBO is pulled to ground.

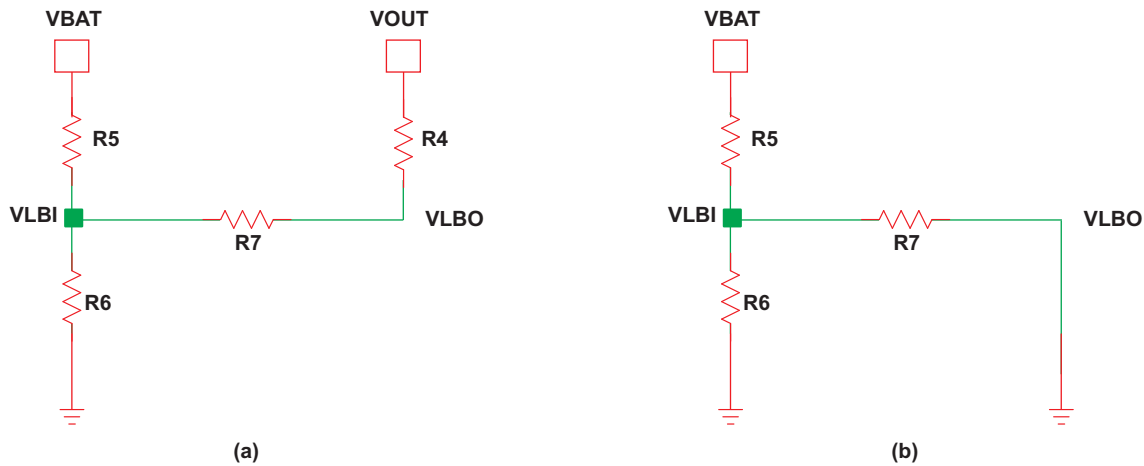


Figure 3. Hysteresis Circuit

Kirchhoff's Current Law (KCL) is applied to these circuits to calculate the resistor values of R4, R5, R6, and R7 that give the desired hysteresis. Using the known output voltage (VOUT), the desired low-battery trip point of VBAT, and the fixed trip point of VLBI, use [Equation 1](#) and [Equation 2](#) to determine the appropriate resistor values.

$$\frac{VBAT - VLBI}{R5} + \frac{VOUT - VLBI}{R4 + R7} = \frac{VLBI}{R6} \quad (1)$$

$$\frac{VBAT - VLBI}{R5} = \frac{VLBI}{R6} + \frac{VLBI}{R7} \quad (2)$$

3.2 Choosing Initial Values

Choosing initial values involves four unknown variables (R4, R5, R6, and R7) and only two equations. Two of the resistor values must be chosen in order to solve the system of equations for the other two values. In the MathCAD™ program and Excel™ spreadsheet⁽¹⁾ that do this calculation for the TPS6205x, the user chooses R4 and R6. R4 determines the VLBO voltage and should be chosen such that the high value of

⁽¹⁾ Both the MathCAD program and Excel spreadsheet can be downloaded from the Tools & Software section of each TPS6205x product folder on the TI Web site.

VLBO is above the input high threshold (V_{IH}) for the input to which the LBO is connected. Additionally, the value of R4 should be on the order of 100 k Ω so that when VLBO is pulled low, a relatively small amount of current is drawn through the resistor. Choose 100 k Ω as the initial value of R6 to limit the current from the battery under normal operation. R6 can be smaller as long as the sum of R5 and R6 is on the order of 100 k Ω .

The low trip voltage (V_{tripL}) and desired high trip voltage (V_{tripH}) of the battery voltage depend on the voltage range of the battery. Use the capacity and voltage characteristics of the battery over the application's full operating temperature range to choose appropriate trip points.

3.3 Calculating Resistor Values

Once the two resistor values have been chosen, the KCL equations for the two states are used to calculate the remaining resistor values. In the first state (VLBO high impedance), when VBAT is at V_{tripL} , VLBI is 1.21 V. In the second state (VLBO low), VBAT is at V_{tripH} , and VLBI is 1.225 V, which incorporates the internal hysteresis. Substituting in these values into Equations 1 and 2 yields Equation 3 and Equation 4, respectively.

$$\frac{V_{tripL} - 1.21V}{R5} + \frac{V_{OUT} - 1.21V}{R4 + R7} = \frac{1.21V}{R6} \quad (3)$$

$$\frac{V_{tripH} - 1.225V}{R5} = \frac{1.225V}{R6} + \frac{1.225V}{R7} \quad (4)$$

Using the known value of VOUT, the desired values of V_{tripL} and V_{tripH} , and the two chosen resistor values, solve the system of equations for the other two resistor values. If you chose R4 and R6 as your initial values, the Mathcad and Excel sheets are available to solve for R5 and R7. Otherwise, use a symbolic solver to solve for the two unknown values.

3.4 Adjustments

If your resistor values are unrealistic for your application, adjust the input resistor values accordingly, but keep in mind power losses and effects on overall efficiency. These calculated values most likely will not be standard industry resistor values; so, choose the closest industry standard values. Then, use Equation 3 and Equation 4 to calculate the more accurate V_{tripL} and V_{tripH} values.

3.5 Example

As an example, consider a system with the requirements outlined in Table 1.

Table 1. Example System Requirements

Output Voltage	Vout	1.50 V
Low Trip Point of LBI	V_{tripL}	2.40 V
Hysteresis on LBI	Hysteresis	0.15 V
High Trip Point of LBI	V_{tripH}	2.55 V

Choosing R4 = 100 k Ω and R6 = 130 k Ω as the initial values in the MathCAD worksheet⁽¹⁾ yields the ideal values R7 = 1.626 M Ω and R5 = 130.202 k Ω . Depending on the supplies available in the laboratory, choose the closest available resistor values. In this case, use R7 = 1.793 M Ω and R5 = 130 k Ω . Using the MathCAD worksheet, recalculate the trip points and hysteresis based on the actual resistor values, which yields V_{tripL} = 2.400 V, V_{tripH} = 2.539 V, and Hysteresis = 0.139 V.

Using a TPS62050EVM and 1%-tolerance resistors of the values previously stated, the trip points and hysteresis were measured. The results are summarized in Table 2.

⁽¹⁾ The MathCAD worksheet and Excel sheet do the same calculations, but the Excel uses a simplified version of the ideal calculations for the trip points.

Table 2. Calculated vs Measured Trip Points

Variable	Calculated	Measured (avg)
VtripL	2.400 V	2.407 V
Hysteresis	0.139 V	0.134 V
VtripH	2.539 V	2.541 V

IMPORTANT NOTICE

Texas Instruments Incorporated and its subsidiaries (TI) reserve the right to make corrections, modifications, enhancements, improvements, and other changes to its products and services at any time and to discontinue any product or service without notice. Customers should obtain the latest relevant information before placing orders and should verify that such information is current and complete. All products are sold subject to TI's terms and conditions of sale supplied at the time of order acknowledgment.

TI warrants performance of its hardware products to the specifications applicable at the time of sale in accordance with TI's standard warranty. Testing and other quality control techniques are used to the extent TI deems necessary to support this warranty. Except where mandated by government requirements, testing of all parameters of each product is not necessarily performed.

TI assumes no liability for applications assistance or customer product design. Customers are responsible for their products and applications using TI components. To minimize the risks associated with customer products and applications, customers should provide adequate design and operating safeguards.

TI does not warrant or represent that any license, either express or implied, is granted under any TI patent right, copyright, mask work right, or other TI intellectual property right relating to any combination, machine, or process in which TI products or services are used. Information published by TI regarding third-party products or services does not constitute a license from TI to use such products or services or a warranty or endorsement thereof. Use of such information may require a license from a third party under the patents or other intellectual property of the third party, or a license from TI under the patents or other intellectual property of TI.

Reproduction of TI information in TI data books or data sheets is permissible only if reproduction is without alteration and is accompanied by all associated warranties, conditions, limitations, and notices. Reproduction of this information with alteration is an unfair and deceptive business practice. TI is not responsible or liable for such altered documentation. Information of third parties may be subject to additional restrictions.

Resale of TI products or services with statements different from or beyond the parameters stated by TI for that product or service voids all express and any implied warranties for the associated TI product or service and is an unfair and deceptive business practice. TI is not responsible or liable for any such statements.

TI products are not authorized for use in safety-critical applications (such as life support) where a failure of the TI product would reasonably be expected to cause severe personal injury or death, unless officers of the parties have executed an agreement specifically governing such use. Buyers represent that they have all necessary expertise in the safety and regulatory ramifications of their applications, and acknowledge and agree that they are solely responsible for all legal, regulatory and safety-related requirements concerning their products and any use of TI products in such safety-critical applications, notwithstanding any applications-related information or support that may be provided by TI. Further, Buyers must fully indemnify TI and its representatives against any damages arising out of the use of TI products in such safety-critical applications.

TI products are neither designed nor intended for use in military/aerospace applications or environments unless the TI products are specifically designated by TI as military-grade or "enhanced plastic." Only products designated by TI as military-grade meet military specifications. Buyers acknowledge and agree that any such use of TI products which TI has not designated as military-grade is solely at the Buyer's risk, and that they are solely responsible for compliance with all legal and regulatory requirements in connection with such use.

TI products are neither designed nor intended for use in automotive applications or environments unless the specific TI products are designated by TI as compliant with ISO/TS 16949 requirements. Buyers acknowledge and agree that, if they use any non-designated products in automotive applications, TI will not be responsible for any failure to meet such requirements.

Following are URLs where you can obtain information on other Texas Instruments products and application solutions:

Products		Applications	
Amplifiers	amplifier.ti.com	Audio	www.ti.com/audio
Data Converters	dataconverter.ti.com	Automotive	www.ti.com/automotive
DSP	dsp.ti.com	Broadband	www.ti.com/broadband
Interface	interface.ti.com	Digital Control	www.ti.com/digitalcontrol
Logic	logic.ti.com	Military	www.ti.com/military
Power Mgmt	power.ti.com	Optical Networking	www.ti.com/opticalnetwork
Microcontrollers	microcontroller.ti.com	Security	www.ti.com/security
RFID	www.ti-rfid.com	Telephony	www.ti.com/telephony
Low Power Wireless	www.ti.com/lpw	Video & Imaging	www.ti.com/video
		Wireless	www.ti.com/wireless

Mailing Address: Texas Instruments, Post Office Box 655303, Dallas, Texas 75265
Copyright © 2007, Texas Instruments Incorporated