

Powering the AM1705 and AM1707 With the TPS650061

Daniel Acevedo

Battery Power Applications

ABSTRACT

This document details the design considerations of a power solution for the AM1705 and AM1707 (AM1705/07) low-power application processor with a TPS650061, three-rail, Power Management Unit (PMU) or Power Management Integrated Circuit (PMIC).

Portable application solution size demands a high level of integration and the AM1705/07 requires at least three different voltage rails with specific sequencing and reset requirements. The TPS650061 is a highly integrated power solution that can provide the 1.2-V, 1.8-V, and 3.3-V rails and $\overline{\text{RESET}}$ signal required by the AM1705/07. The TPS650061 has a single, step-down converter, two low-dropout regulators, and a voltage supervisor.

Included in this document is a power solution for the AM1705/07. Power requirements, illustrated schematic, operation waveforms, and bill of materials are detailed.

1 Power Requirements

Figure 1 presents the block diagram for the TPS650061 and AM1705/07.

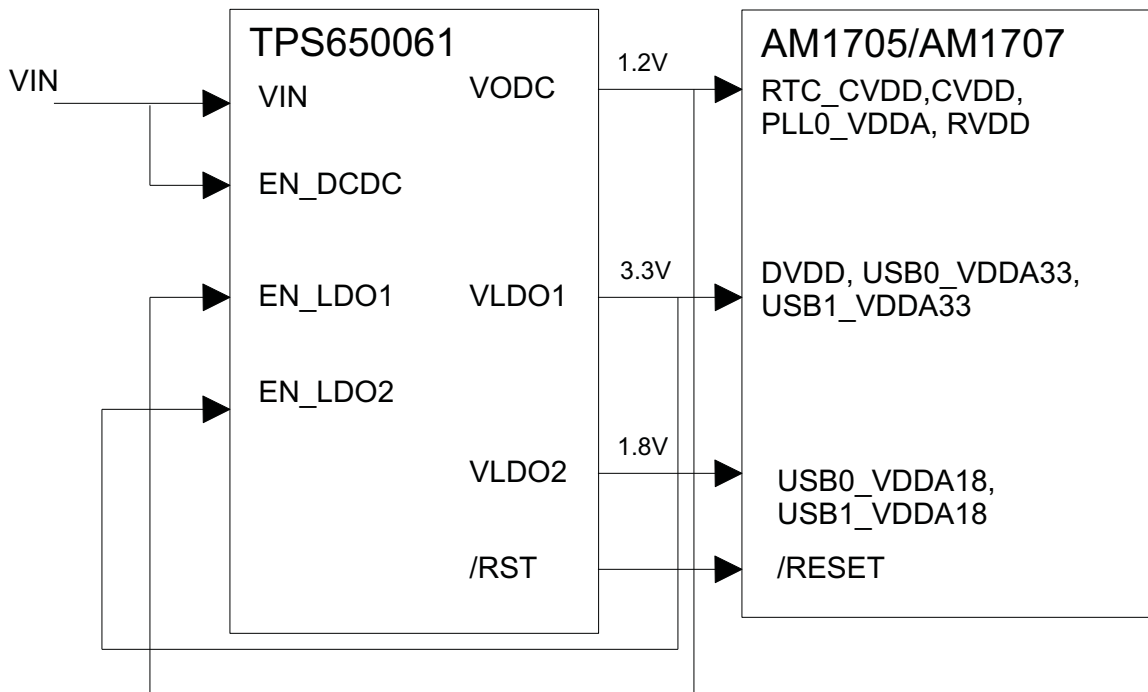


Figure 1. TPS650061 and AM1705/07 Simplified Block Diagram

The AM1705/07 power requirements are listed in [Table 1](#).

Table 1. AM1705/07 Power Requirements

Rail Name	Voltage (V)	I _{max} (mA)	Tolerance (%)
RTC_CVDD, CVDD, PLL0_VDDA, RVDD	1.2	435	-5, +10
USB0_VDDA18, USB1_VDDA18	1.8	50	±5
DVDD, USB0_VDDA33, USB1_VDDA33	3.3	115	±5

The TPS650061 meets these power requirements with its single, step-down converter, two low-dropout (LDO) regulators, and voltage supervisor.

1.1 Power-On Sequence

To meet the AM1705/07 power-on requirements, the 1.2-V rail must power on first, then the 1.8-V rail and the 3.3-V rail in any order. After all three rails are up, the RESET may be released. To ensure this power-up sequence, the 1.2-V enable is connected to VIN and the output is connected to EN_LDO1. The output of the first LDO regulator, VLDO1, is connected to EN_LDO2. To assert the reset only after all three supplies are up, \overline{RST} is pulled up to VLDO1, and RSTSNS is connected to VLDO2 with a resistor divider. The proper connections for this power-on sequencing are shown in [Figure 1](#).

Consider the following when selecting components for the circuit:

- VODC must be targeted above 1.2 V at full load to be used as enable for other supplies.
 - VIH for the TPS650061 is rated at a minimum of 1.2 V which ensures that the device recognizes an input as HIGH if it is at or above 1.2 V.
 - The AM1705/07 RTC_CVDD, CVDD, PLL0_VDDA, and RVDD tolerance of -5%, +10% makes targeting at or above 1.2 V at full load possible while remaining within the AM1705/07 recommended operating conditions.
- The resistor divider on RSTSNS is such that if VLDO2 goes below 1.8 V - 5% (1.71 V), reset becomes active.
 - Because \overline{RST} is pulled up to VLDO1, it only goes high if VLDO1 and VLDO2 are present.

Per the excerpt from the AM1705/07 data sheet, the device must be powered on in the following order:

- 1) RTC (RTC_CVDD) may be powered from an external device (such as a battery) prior to all other supplies being applied or powered up at the same time as CVDD. If the RTC is not used, RTC_CVD must be connected to CVDD.
- 2a) CVDD core logic supply
- 2b) Other 1.2-V logic supplies (RVDD, PLL0_VDDA). Groups 2a) and 2b) may be powered up together or 2a) first followed by 2b). Groups 1 and 2 may be powered up together if the real-time clock is only needed when the core is powered.
- 3) All 1.8-V I/O supplies (USB0_VDDA18).
- 4) All digital I/O and analog 3.3-V PHY supplies (DVDD, USB0_VDDA33). USB0_VDDA33 is not required if USB0 is not used and may be left unconnected.

Group 3) and Group 4) may be powered on in either order [3 then 4, or 4 then 3] but group 4) must be powered on after the core logic supplies.

No specific voltage ramp rate is required for any of the supplies. \overline{RESET} must be maintained active only after all power supplies have reached their nominal values.

1.2 Power-Off Sequence

For the AM1705/07, the power supplies can be powered off in any order. The AM1707 has the additional requirement that the 3.3-V supplies do not remain powered with the other supplies unpowered.

2 Schematic, Waveforms, and Bill of Materials

2.1 Schematic

Figure 2 is the schematic of the power solution for the AM1705/07.

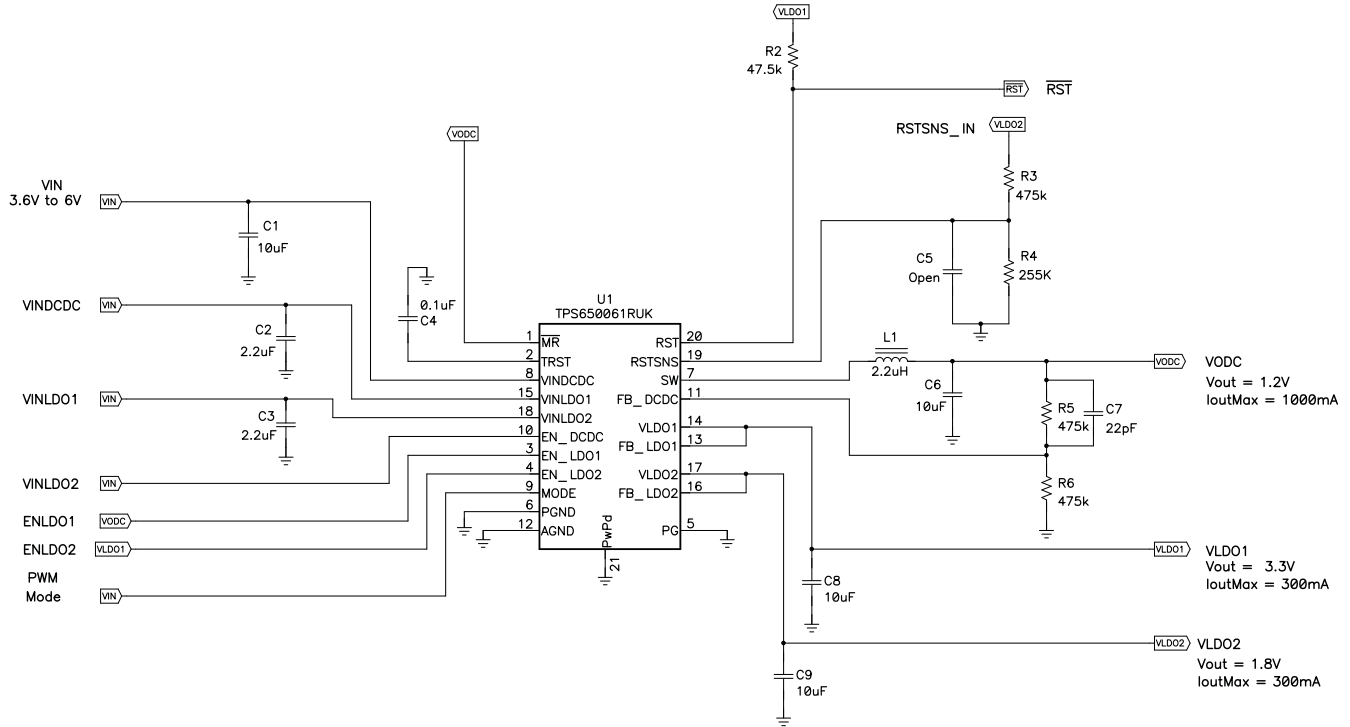


Figure 2. TPS650061 Schematic Diagram

2.2 Waveforms

The following waveforms demonstrate the start-up sequence and the reset of the TPS650061 as required by the AM1705/07. Figure 3, shows the TPS650061 power-on sequence of 1.2 V, then 3.3 V and 1.8 V. Figure 4 shows the reset pin, \overline{RST} , being released after the voltage on RSTSNS rises above the threshold and after the reset recovery time, t_{RST} , is exceeded.

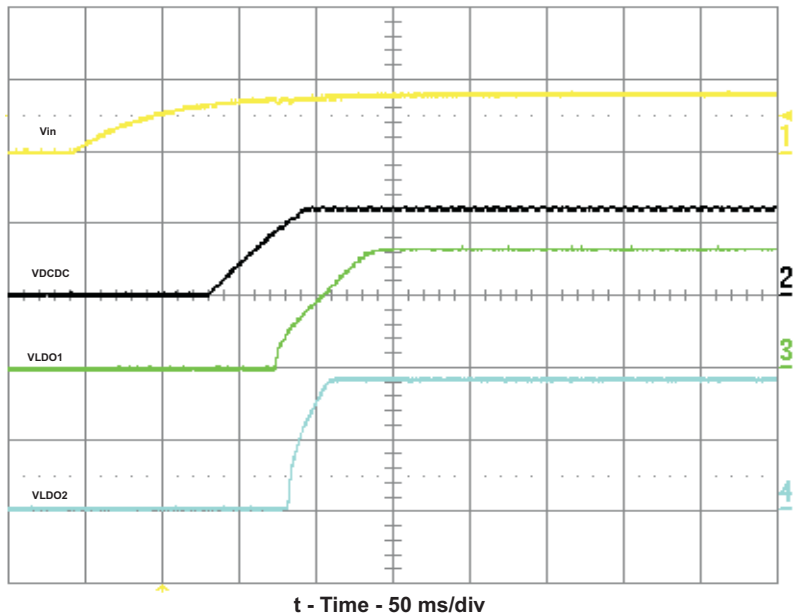


Figure 3. TPS650061 Power Up – Ch1-Vin, 5 V/div; Ch2-VDCDC, 1 V/div; Ch3-VLDO1, 2 V/div; and Ch4-VLDO2, 1 V/div

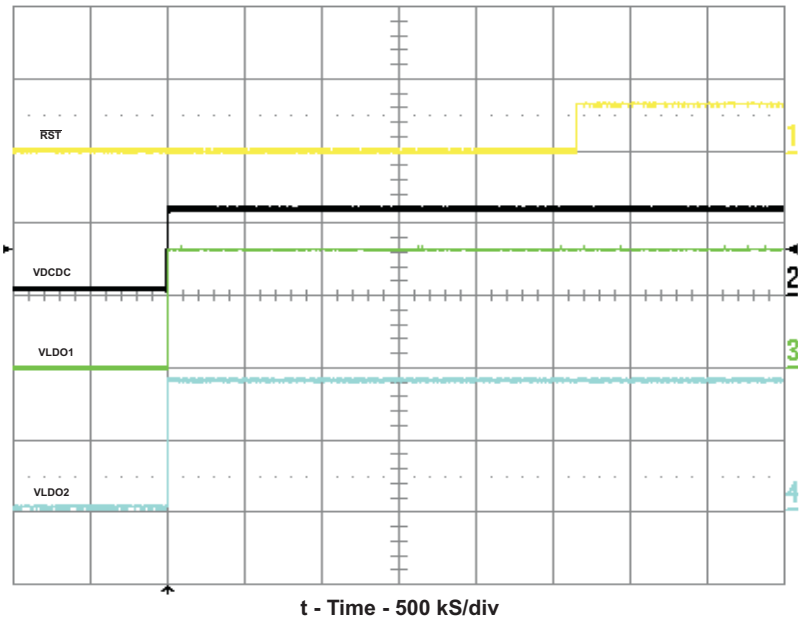


Figure 4. TPS650061 Power Up and Reset – Ch1-/RST, 5 V/div; Ch2-VDCDC, 1 V/div; Ch3-VLDO1, 2 V/div; and Ch4-VLDO2, 1 V/div

2.3 Bill of Materials

The bill of materials is displayed in [Table 2](#).

Table 2. Bill of Materials

Count	RefDes	Value	Description	Size	Part Number	MFR
4	C1, C6, C8, C9	10uF	Capacitor, Ceramic, 10V, X5R, 10%	0805	Std	Std

Table 2. Bill of Materials (continued)

Count	RefDes	Value	Description	Size	Part Number	MFR
2	C2, C3	2.2uF	Capacitor, Ceramic, 10V, X5R, 10%	0603	Std	Std
2	C4	0.1uF	Capacitor, Ceramic, 16V, X7R, 10%	0603	Std	Std
1	C7	22pF	Capacitor, Ceramic, 50V, C0G, 5%	0603	Std	Std
1	L1	2.2uH	Inductor, SMT, 2.0A, 110milliohm	0.118 x 0.118 inch	LPS3015-222ML	Coilcraft
3	R1, R2,	47.5k	Resistor, Chip, 1/16W, 1%	0603	Std	Std
3	R3, R5, R6	475k	Resistor, Chip, 1/16W, 1%	0603	Std	Std
1	R4	232K	Resistor, Chip, 1/16W, 1%	0603	Std	Std
1	U1	TPS650061RUK	IC, 2.25 MHz Step Down Converter with Dual LDOs and SVS	QFN	TPS650061RUK	TI

3 Conclusion

The TPS650061 provides a low-cost, comprehensive power solution for the AM1705/07. A 1.2-V rail (capable of supplying 1 A) is powered on, followed by a 3.3-V rail (300 mA), then a 1.8-V rail (300 mA); once all three supplies have reached minimum regulation, $\overline{\text{RESET}}$ goes high (i.e., rises to its pullup voltage). This meets the power requirements of the AM1705/07.

4 References

1. *TPS650061, 2.25 MHz Step Down Converter with Dual LDOs and SVS* data sheet ([SLVS810](#))
2. *AM1705 ARM Microprocessor* data sheet ([SPRS657](#))
3. *AM1707 ARM Microprocessor* data sheet ([SPRS637](#))

IMPORTANT NOTICE

Texas Instruments Incorporated and its subsidiaries (TI) reserve the right to make corrections, modifications, enhancements, improvements, and other changes to its products and services at any time and to discontinue any product or service without notice. Customers should obtain the latest relevant information before placing orders and should verify that such information is current and complete. All products are sold subject to TI's terms and conditions of sale supplied at the time of order acknowledgment.

TI warrants performance of its hardware products to the specifications applicable at the time of sale in accordance with TI's standard warranty. Testing and other quality control techniques are used to the extent TI deems necessary to support this warranty. Except where mandated by government requirements, testing of all parameters of each product is not necessarily performed.

TI assumes no liability for applications assistance or customer product design. Customers are responsible for their products and applications using TI components. To minimize the risks associated with customer products and applications, customers should provide adequate design and operating safeguards.

TI does not warrant or represent that any license, either express or implied, is granted under any TI patent right, copyright, mask work right, or other TI intellectual property right relating to any combination, machine, or process in which TI products or services are used. Information published by TI regarding third-party products or services does not constitute a license from TI to use such products or services or a warranty or endorsement thereof. Use of such information may require a license from a third party under the patents or other intellectual property of the third party, or a license from TI under the patents or other intellectual property of TI.

Reproduction of TI information in TI data books or data sheets is permissible only if reproduction is without alteration and is accompanied by all associated warranties, conditions, limitations, and notices. Reproduction of this information with alteration is an unfair and deceptive business practice. TI is not responsible or liable for such altered documentation. Information of third parties may be subject to additional restrictions.

Resale of TI products or services with statements different from or beyond the parameters stated by TI for that product or service voids all express and any implied warranties for the associated TI product or service and is an unfair and deceptive business practice. TI is not responsible or liable for any such statements.

TI products are not authorized for use in safety-critical applications (such as life support) where a failure of the TI product would reasonably be expected to cause severe personal injury or death, unless officers of the parties have executed an agreement specifically governing such use. Buyers represent that they have all necessary expertise in the safety and regulatory ramifications of their applications, and acknowledge and agree that they are solely responsible for all legal, regulatory and safety-related requirements concerning their products and any use of TI products in such safety-critical applications, notwithstanding any applications-related information or support that may be provided by TI. Further, Buyers must fully indemnify TI and its representatives against any damages arising out of the use of TI products in such safety-critical applications.

TI products are neither designed nor intended for use in military/aerospace applications or environments unless the TI products are specifically designated by TI as military-grade or "enhanced plastic." Only products designated by TI as military-grade meet military specifications. Buyers acknowledge and agree that any such use of TI products which TI has not designated as military-grade is solely at the Buyer's risk, and that they are solely responsible for compliance with all legal and regulatory requirements in connection with such use.

TI products are neither designed nor intended for use in automotive applications or environments unless the specific TI products are designated by TI as compliant with ISO/TS 16949 requirements. Buyers acknowledge and agree that, if they use any non-designated products in automotive applications, TI will not be responsible for any failure to meet such requirements.

Following are URLs where you can obtain information on other Texas Instruments products and application solutions:

Products

Audio	www.ti.com/audio
Amplifiers	amplifier.ti.com
Data Converters	dataconverter.ti.com
DLP® Products	www.dlp.com
DSP	dsp.ti.com
Clocks and Timers	www.ti.com/clocks
Interface	interface.ti.com
Logic	logic.ti.com
Power Mgmt	power.ti.com
Microcontrollers	microcontroller.ti.com
RFID	www.ti-rfid.com
OMAP Mobile Processors	www.ti.com/omap
Wireless Connectivity	www.ti.com/wirelessconnectivity

Applications

Communications and Telecom	www.ti.com/communications
Computers and Peripherals	www.ti.com/computers
Consumer Electronics	www.ti.com/consumer-apps
Energy and Lighting	www.ti.com/energy
Industrial	www.ti.com/industrial
Medical	www.ti.com/medical
Security	www.ti.com/security
Space, Avionics and Defense	www.ti.com/space-avionics-defense
Transportation and Automotive	www.ti.com/automotive
Video and Imaging	www.ti.com/video

TI E2E Community Home Page

e2e.ti.com

Mailing Address: Texas Instruments, Post Office Box 655303, Dallas, Texas 75265
Copyright © 2011, Texas Instruments Incorporated