

TPS65142 Loop Compensation Design Consideration

Tony Huang

Power Management/Field Applications

ABSTRACT

The TPS65142 device provides a compact solution to the bias power and the WLED backlight in note-pc TFT LCD panels. The device features a boost converter, a positive charge pump regulator, and a negative charge pump regulator to power the source drivers and the gate drivers. To be more compatible with TFT LCD system cross-talk requirement, it is necessary to design a required closed-loop performance for the AVDD boost converter. This application report discusses the design consideration.

Contents

1	TPS65142 Boost Converter Introduction.....	2
2	TPS65142 Fixed Off-time Small Signal Circuitry.....	2
3	A Design Example.....	5
4	External Compensation.....	7
5	Conclusion.....	9
6	Reference.....	9

FIGURES

Figure 1.	TPS65142 Boost Converter Implementation	2
Figure 2.	Gain from Control to Inductor Current	3
Figure 3.	The Overall Small Signal Model for the TPS64142 Boost Converter	4
Figure 4.	Design Example	5
Figure 5.	Simulation Results	6
Figure 6.	Lab Test Results	7
Figure 7.	Loop Compensation With the Two External Capacitors C1 and C2	8
Figure 8.	Simulation Results	8

1 TPS65142 Boost Converter Introduction

As showed in Figure 1, the TPS65142 AVDD boost regulator is designed for output voltages up to 16.5 V with a minimum switch peak current limit of 1.8 A. The device, which operates in a current-mode scheme with quasi-constant frequency, is internally compensated to minimize the pin and component counts. The switching frequency is selectable between 650 kHz and 1.2 MHz. During the on-time, the current rises in the inductor. When the current reaches a threshold value set by the internal GM amplifier, the power transistor is turned off. The polarity of the inductor voltage changes and forward biases the Schottky diode, which lets the current flow toward the output of the boost regulator. The off-time is fixed for a certain input voltage V_{IN} and output voltage V_S , and therefore maintains the same frequency when varying these parameters.

The fixed off-time maintains a quasi-fixed frequency that provides better stability for the system over a wide range of input and output voltages than conventional boost converters. The topology of the TPS65142 device provides extremely good load and line regulations, and excellent line and load transient responses.

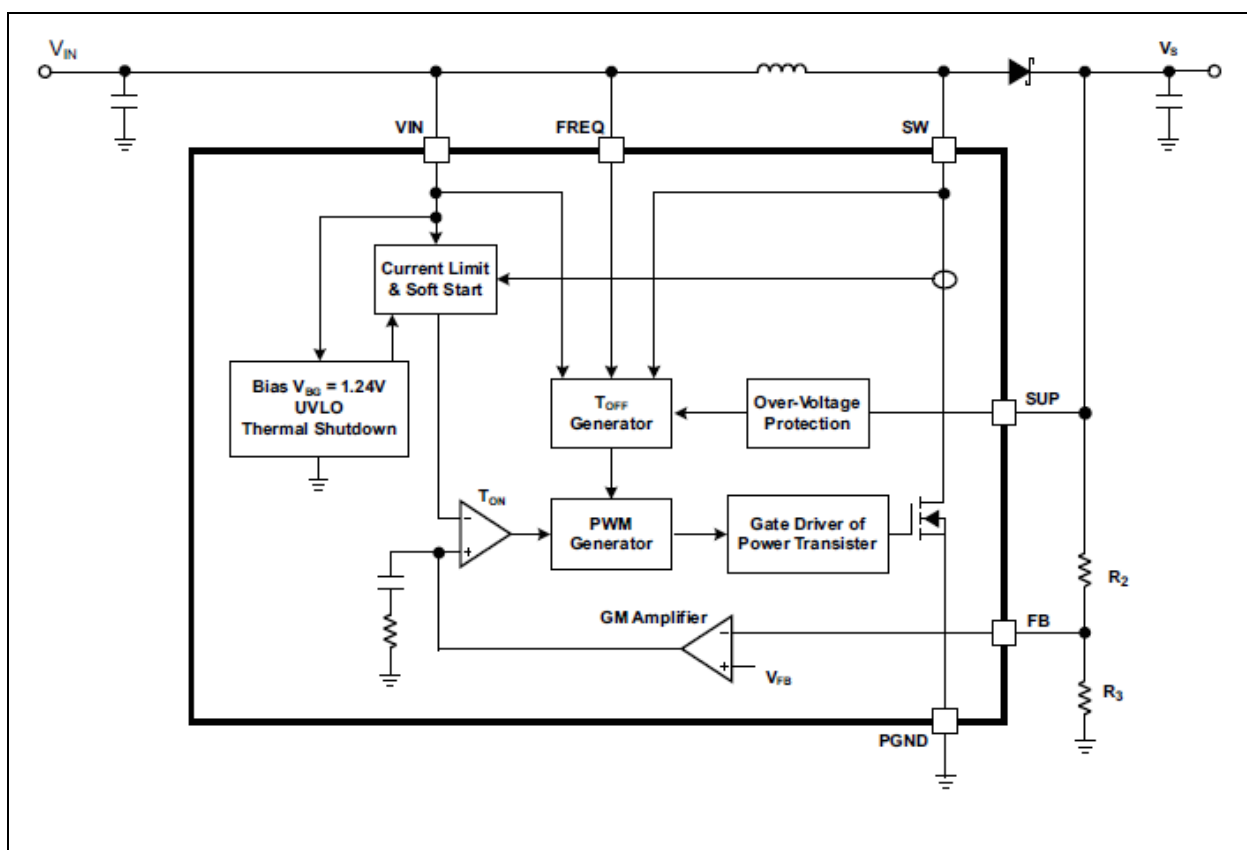


Figure 1. TPS65142 Boost Converter Implementation

2 TPS65142 Fixed Off-time Small Signal Circuitry

For a fixed off-time boost converter, with continuous current mode, the t_{OFF} time can be defined as follows:

$$t_{OFF} = \frac{V_{in}}{V_{out} f_s}; \quad (1)$$

Introducing a sampling-hold functions as follows, to simulate the fixed off-time effect:

$$H_e(s) = \frac{1 - e^{-s \times t_{OFF}}}{s \times t_{OFF}} \approx 1 + \frac{s}{2/t_{OFF}} + \frac{s^2}{\pi^2/t_{OFF}^2}; \quad (2)$$

Then, the gain from the error amplifier output to the inductor current can be obtained:

$$\frac{\hat{i}_L(s)}{\hat{V}_c(s)} = \frac{H_e(s)}{R_s} \quad (3)$$

Define two components as follows:

$$\text{Resistor: } R_e = \frac{2L_1}{t_{OFF}}; \quad (4)$$

$$\text{Capacitor: } C_e = \frac{t_{OFF}^2}{\pi^2 L_1} \quad (5)$$

The equivalent small signal model from control to inductor current can be obtained as shown in Figure 2.

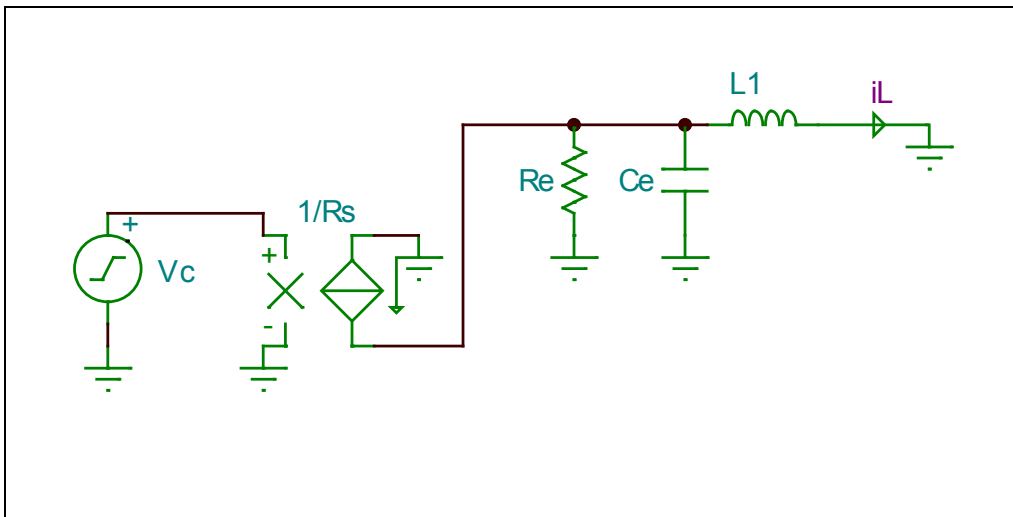


Figure 2. Gain from Control to Inductor Current

Considering average model of the boost converter:

$$\langle u_{out} \rangle \times \left(\frac{1}{R_L} + sC_{out} \right) = (1 - \langle d \rangle) \times \langle i_L \rangle \quad (6)$$

$$\langle u_{out} \rangle - \langle d \rangle \times \langle u_{out} \rangle = V_{in} - sL_1 \times \langle i_L \rangle \quad (7)$$

Here, $\langle \rangle$ means an average value within a switching cycle.

Separate the small signal distortion from the average value:

$$\hat{u}_{out} \left(\frac{1}{R_L} + sC_{out} \right) = (1-D)\hat{i}_L - \hat{d} I_L \quad (8)$$

$$(1-D)\hat{u}_{out} - V_{out} \hat{d} = -sL_1 \hat{i}_L \quad (9)$$

As a result:

$$(1-D)\hat{i}_L = \hat{u}_{out} \left(\frac{1}{R_L} + sC_{out} \right) + \frac{(1-D)I_L \hat{u}_{out}}{V_{out}} + \frac{sL_1 I_L \hat{i}_L}{V_{out}} \quad (10)$$

From equation 10 and Figure 2, it is possible to deduce the overall small signal circuitry in Figure 3.

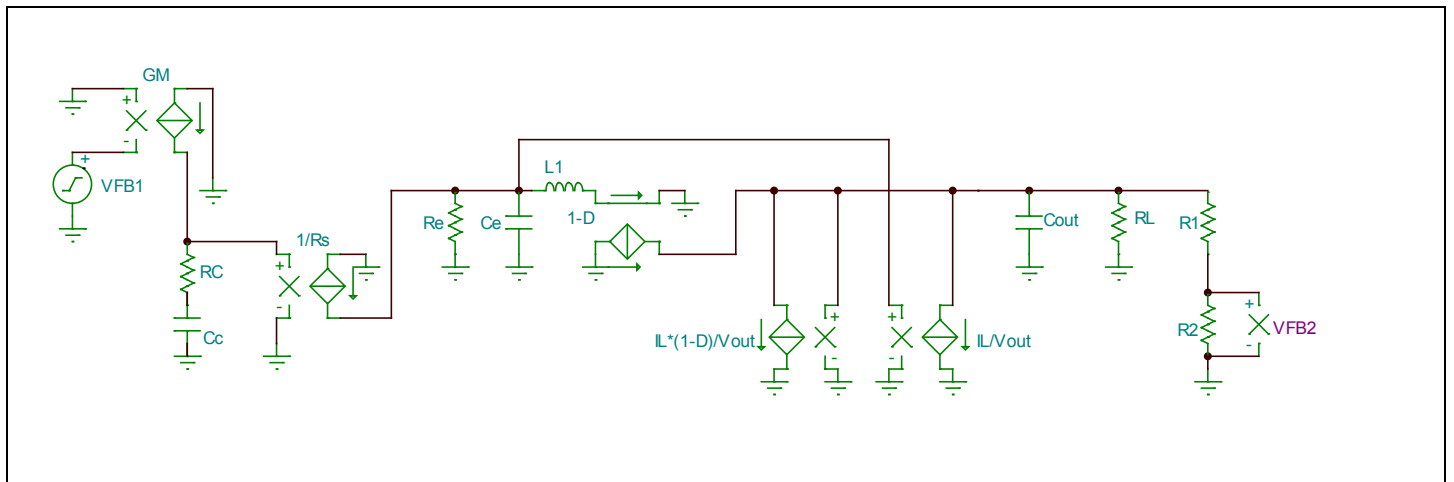


Figure 3. The Overall Small Signal Model for the TPS64142 Boost Converter

According to the data sheet, the parameters in Figure 3 can be obtained:

$$Gm = 15u; Rc = 120k; Cc = 480p; Rs = 6.67\Omega \quad (11)$$

3 A Design Example

A design specification follows:

$$V_{in} = 3.3V; V_{out} = 8.5V; R_1 = 80.6k; R_2 = 12.9k; L_1 = 6.8\mu H; f_s = 1.2MHz; R_L = 64\Omega \quad (12)$$

Based on the results in Figure 3, it is possible to obtain the simulation model shown in Figure 4:

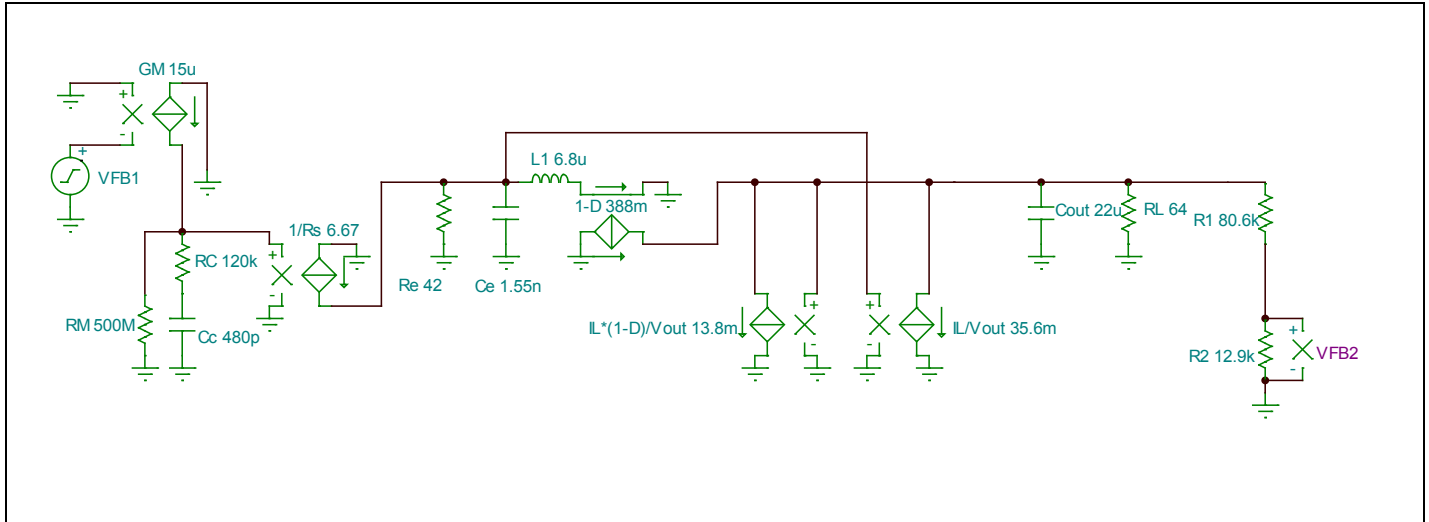


Figure 4. Design Example

The simulation results are seen in Figure 5.

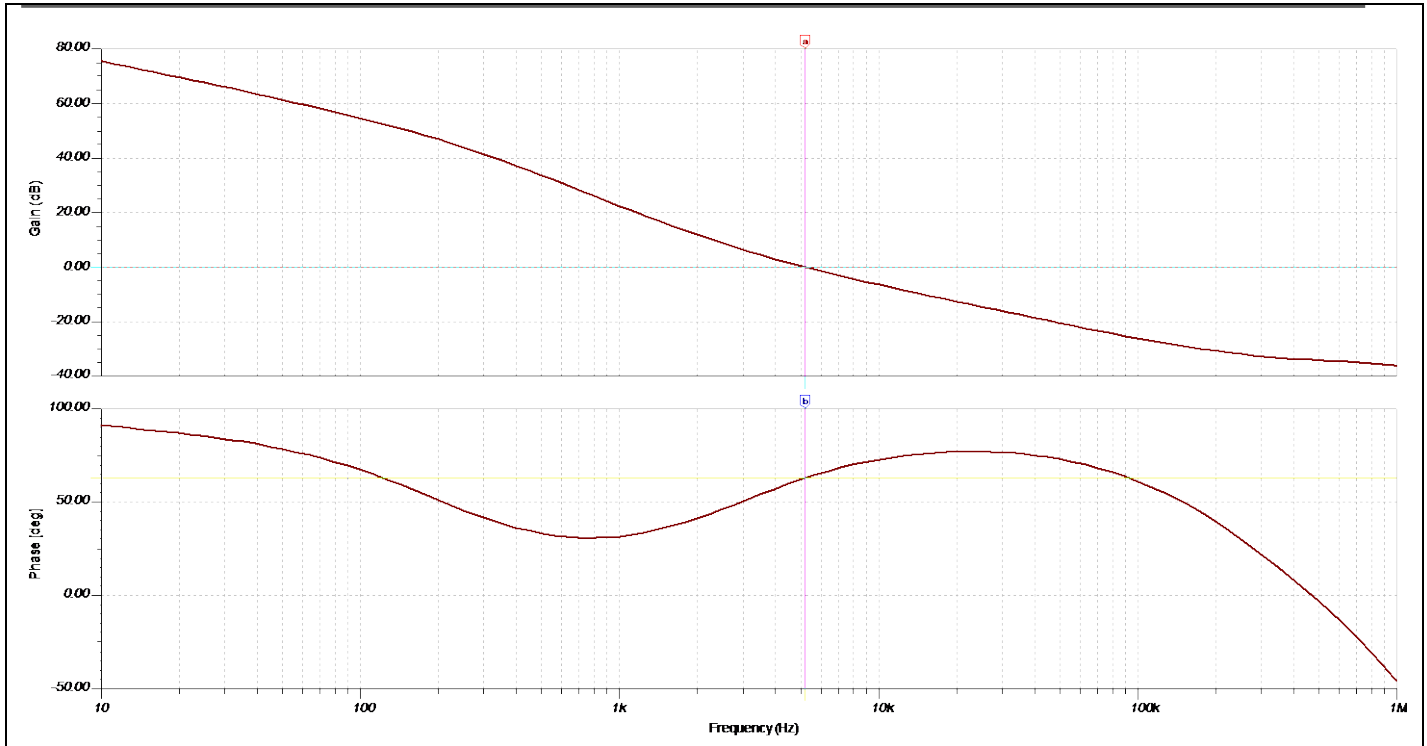


Figure 5. Simulation Results

Figure 5 shows the cross-over frequency is 5.3 kHz and phase margin is 63 degrees.

By lab test results, we can get the results shown in Figure 6.

The test results show the cross-over frequency is 5.5 kHz and phase margin is 66 degrees.

The compared simulation and test results matched fully.

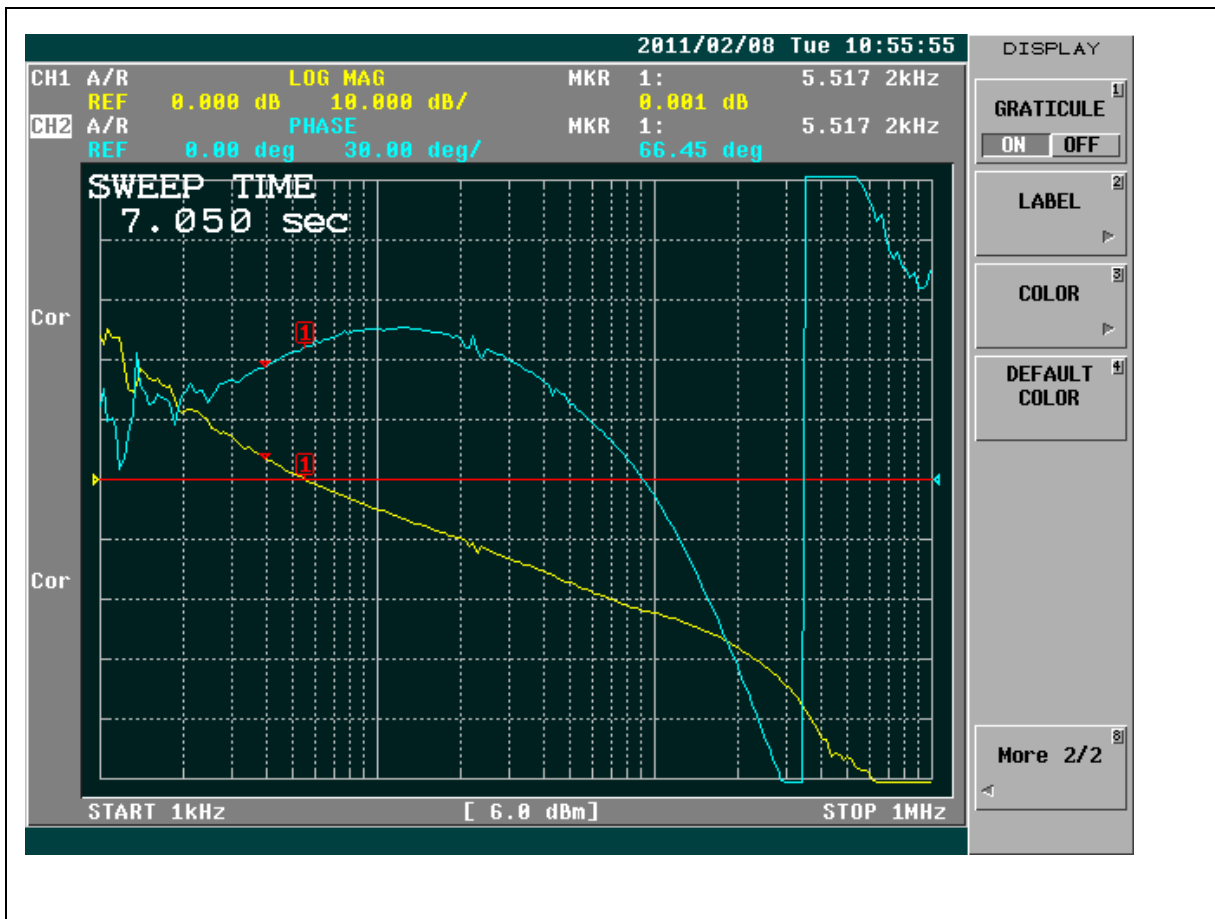


Figure 6. Lab Test Results

4 External Compensation

The TPS65142 device has employed an internal compensation and does not leave any outside dedicated PIN for loop compensation adjustment. However, in some cases, like cross-talk problems, the user must adjust the loop compensation. Two external capacitors (C1 and C2) can be added in parallel with the two divided resistors, as shown in Figure 7.

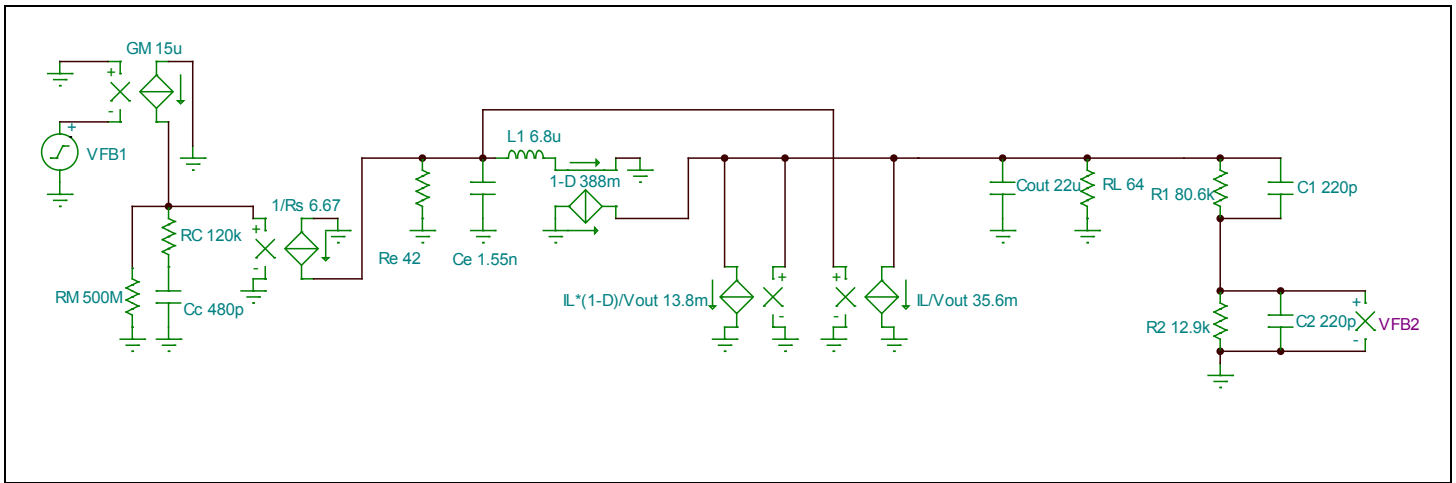


Figure 7. Loop Compensation With the Two External Capacitors C1 and C2

By the simulation, the Bode plot can be obtained in Figure 8.

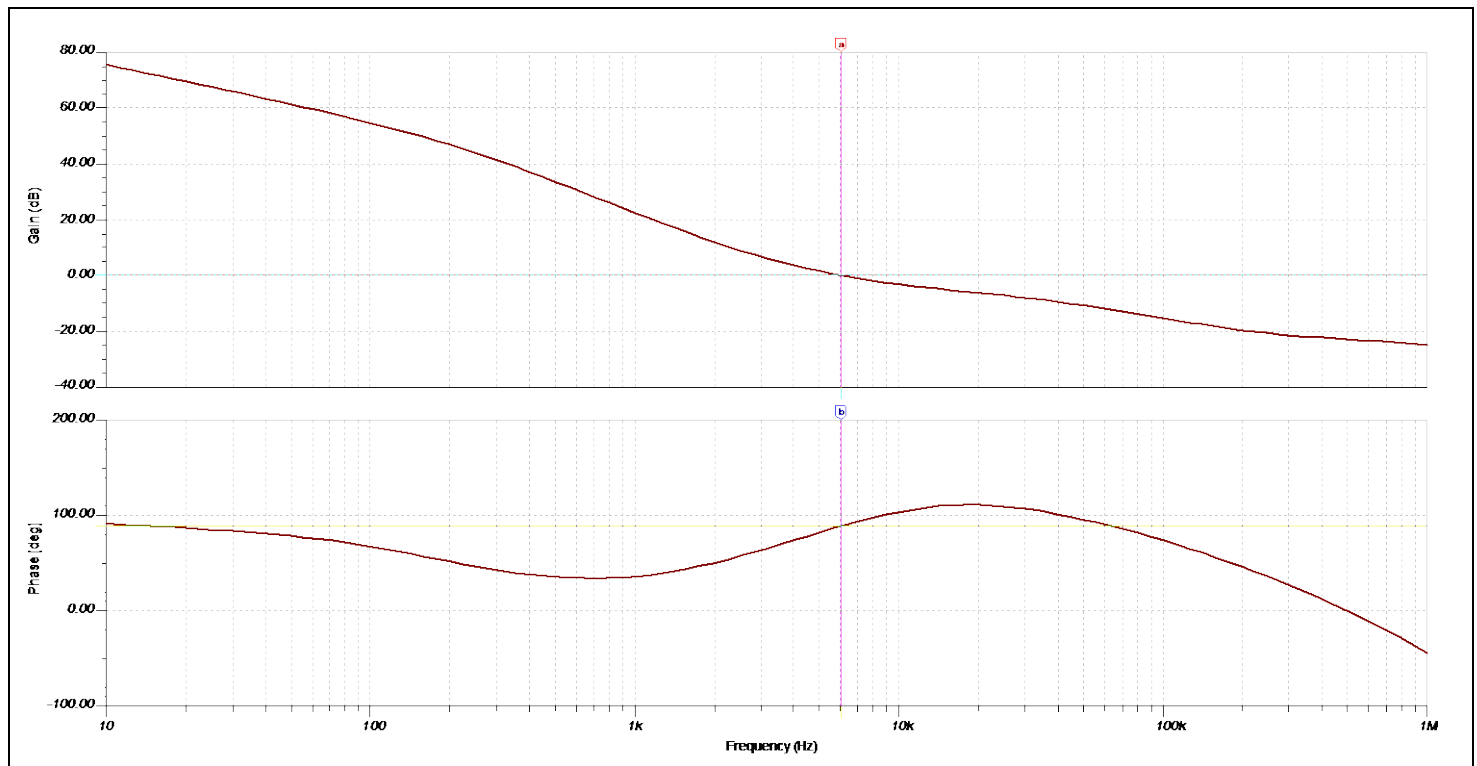


Figure 8. Simulation Results

Figure 8 shows the cross-over frequency is 6.1 kHz and phase margin is 89 degrees. Comparing the simulation results in Figure 5 without the two external capacitors, both cross-over frequency and phase margin can be increased.

Regarding the selection of the external capacitor C1 and C2, the following equations can be provided:

1. Define the additional zero and pole with the two capacitors:

$$f_z = \frac{1}{2\pi R_1 C_1}; f_p = \frac{1}{2\pi (R_1 // R_2)(C_1 + C_2)} \quad (13)$$

2. Assuming the phase gap is θ between test results with the two capacitors and without the two capacitors, and f_c is the targeted cross-over frequency, then:

$$\theta = \tan^{-1}\left(\frac{f_c}{f_z}\right) - \tan^{-1}\left(\frac{f_c}{f_p}\right) \quad (14)$$

$$\text{Also, according to the definition, } \theta = Phase_2(f_c) - Phase_1(f_c); \quad (15)$$

$$\text{And, } A = 10^{\frac{G_1(f_c)}{20}} \quad (16)$$

$$\text{As a result, } f_p = f_c \frac{A \times \sin(\theta)}{A \times \cos(\theta) - 1}; f_z = f_c \frac{(1 - \tan(\theta) \frac{f_c}{f_p})}{(\frac{f_c}{f_p} + \tan(\theta))} \quad (17)$$

3. By equations 13 and 17, we can calculate the value of capacitors C1 and C2.

5 Conclusion

This application report provides the small signal analysis about fixed off-time boost converter, and the solution to make the external loop compensation for a TPS65142 device. Meanwhile, a practical design example was implemented to prove that the solution is effective.

6 Reference

Texas instruments, SLVSAX5A, TPS65142 data sheet

IMPORTANT NOTICE

Texas Instruments Incorporated and its subsidiaries (TI) reserve the right to make corrections, enhancements, improvements and other changes to its semiconductor products and services per JESD46, latest issue, and to discontinue any product or service per JESD48, latest issue. Buyers should obtain the latest relevant information before placing orders and should verify that such information is current and complete. All semiconductor products (also referred to herein as "components") are sold subject to TI's terms and conditions of sale supplied at the time of order acknowledgment.

TI warrants performance of its components to the specifications applicable at the time of sale, in accordance with the warranty in TI's terms and conditions of sale of semiconductor products. Testing and other quality control techniques are used to the extent TI deems necessary to support this warranty. Except where mandated by applicable law, testing of all parameters of each component is not necessarily performed.

TI assumes no liability for applications assistance or the design of Buyers' products. Buyers are responsible for their products and applications using TI components. To minimize the risks associated with Buyers' products and applications, Buyers should provide adequate design and operating safeguards.

TI does not warrant or represent that any license, either express or implied, is granted under any patent right, copyright, mask work right, or other intellectual property right relating to any combination, machine, or process in which TI components or services are used. Information published by TI regarding third-party products or services does not constitute a license to use such products or services or a warranty or endorsement thereof. Use of such information may require a license from a third party under the patents or other intellectual property of the third party, or a license from TI under the patents or other intellectual property of TI.

Reproduction of significant portions of TI information in TI data books or data sheets is permissible only if reproduction is without alteration and is accompanied by all associated warranties, conditions, limitations, and notices. TI is not responsible or liable for such altered documentation. Information of third parties may be subject to additional restrictions.

Resale of TI components or services with statements different from or beyond the parameters stated by TI for that component or service voids all express and any implied warranties for the associated TI component or service and is an unfair and deceptive business practice. TI is not responsible or liable for any such statements.

Buyer acknowledges and agrees that it is solely responsible for compliance with all legal, regulatory and safety-related requirements concerning its products, and any use of TI components in its applications, notwithstanding any applications-related information or support that may be provided by TI. Buyer represents and agrees that it has all the necessary expertise to create and implement safeguards which anticipate dangerous consequences of failures, monitor failures and their consequences, lessen the likelihood of failures that might cause harm and take appropriate remedial actions. Buyer will fully indemnify TI and its representatives against any damages arising out of the use of any TI components in safety-critical applications.

In some cases, TI components may be promoted specifically to facilitate safety-related applications. With such components, TI's goal is to help enable customers to design and create their own end-product solutions that meet applicable functional safety standards and requirements. Nonetheless, such components are subject to these terms.

No TI components are authorized for use in FDA Class III (or similar life-critical medical equipment) unless authorized officers of the parties have executed a special agreement specifically governing such use.

Only those TI components which TI has specifically designated as military grade or "enhanced plastic" are designed and intended for use in military/aerospace applications or environments. Buyer acknowledges and agrees that any military or aerospace use of TI components which have **not** been so designated is solely at the Buyer's risk, and that Buyer is solely responsible for compliance with all legal and regulatory requirements in connection with such use.

TI has specifically designated certain components as meeting ISO/TS16949 requirements, mainly for automotive use. In any case of use of non-designated products, TI will not be responsible for any failure to meet ISO/TS16949.

Products

Audio	www.ti.com/audio
Amplifiers	amplifier.ti.com
Data Converters	dataconverter.ti.com
DLP® Products	www.dlp.com
DSP	dsp.ti.com
Clocks and Timers	www.ti.com/clocks
Interface	interface.ti.com
Logic	logic.ti.com
Power Mgmt	power.ti.com
Microcontrollers	microcontroller.ti.com
RFID	www.ti-rfid.com
OMAP Applications Processors	www.ti.com/omap
Wireless Connectivity	www.ti.com/wirelessconnectivity

Applications

Automotive and Transportation	www.ti.com/automotive
Communications and Telecom	www.ti.com/communications
Computers and Peripherals	www.ti.com/computers
Consumer Electronics	www.ti.com/consumer-apps
Energy and Lighting	www.ti.com/energy
Industrial	www.ti.com/industrial
Medical	www.ti.com/medical
Security	www.ti.com/security
Space, Avionics and Defense	www.ti.com/space-avionics-defense
Video and Imaging	www.ti.com/video

TI E2E Community

e2e.ti.com