

I²C Communication Sample Code for the bq76940 with a CRC Option Based on the MSP430G2553

Steven Yao

ABSTRACT

This application note describes how to communicate with the bq76940 family devices over I²C. The code is based on the TI MSP430G2553. The code shows how to write the CRC function which is used to verify the transaction integrity over the I²C and how to initialize the I²C engine of the G2553 and bq76940 registers as well as how to read binary data from the AFE registers and transfer the data to voltages.

Contents

1	Introduction	1
2	Hardware Connection	2
3	Sample Code	4
4	Conclusion	6

1 Introduction

The bq76940 is a new Analog Front End (AFE) device which targets at the battery management solutions for the applications like energy storage station, batteries for E-Motor, E-Bike, scooter or E-Tool, and so on. It typically works with an MCU with an I²C interface. The MCU can directly read digital information for individual cell voltages, battery current, and temperatures via the I²C bus. The basic protect actions like overvoltage protection, undervoltage protection, overcurrent protection and short-circuit protection can be performed by the bq76940 according the threshold programmed by the MCU during initialization of the battery management system. The MCU is also responsible for the release of protections. The bq76940 device name is used in the document, but the communication methods described also apply to the bq76930 and bq76920.

2 Hardware Connection

The I²C communication sample code is based on the bq76940 EVM and MSP430 value line LaunchPad™ development tool, [Figure 1](#) is the simplified connection diagram.

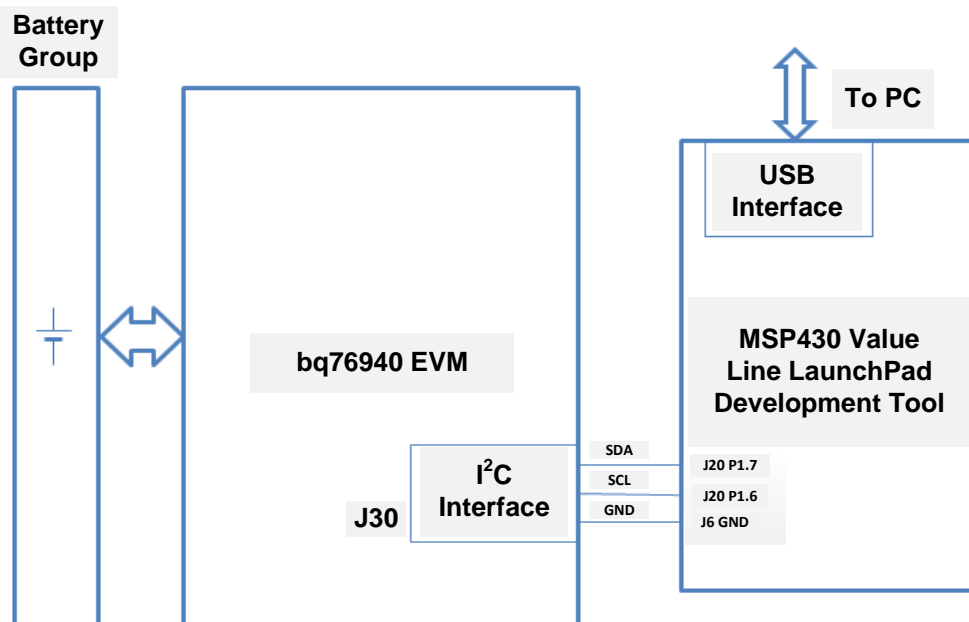


Figure 1. Simplified Connection Diagram

For the MSP430 Value Line LaunchPad Development tool, short all the jumpers of J3 ([Figure 2](#)), and leave the jumpers for J5 open.

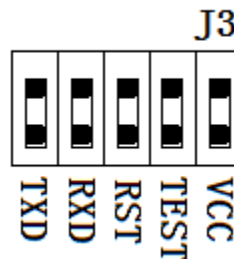


Figure 2. LaunchPad J3 Jumper Settings

For the bq76940 EVM, there are more than one versions in the field, refer to the documentation for the board you are using. [Figure 3](#) illustrates how to connect the J31 jumper in the EVM PR2019 REV B.

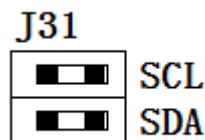


Figure 3. J31 Jumper Connections in PR2019 RevB

For jumper J27, connect REGOUT and PULL-UP, connect CELL1 and BOOT on J22. [Figure 4](#) illustrates how to connect the J32 jumper.

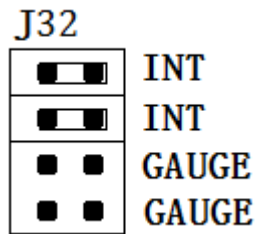


Figure 4. J32 Jumper Connections

[Figure 5](#) illustrates the selection of FET SRC on the jumper for REGSRC.

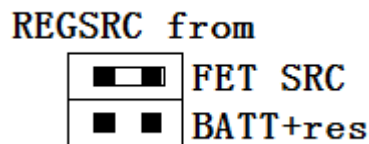


Figure 5. REGSRC Jumper Connection

Short jumpers J7 and J51 if there is no need to test the current for VC10x and VC5X.

All other jumpers can be left open except for J43, J49, J5, J46, J53, and J6. Refer to the bq76940 EVM user guide for instructions on how to connect these jumpers.

3 Sample Code

The sample code is composed of three types of functions: MSP430 initializing functions, I²C communication functions, and CRC generating functions. The sample code provides a demonstration of how to communicate with the bq76940 I²C engine. The MSP430 initializing is relatively simple. Watchdog and all interrupts are disabled by the lines of:

```
WDTCTL = WDTPW | WDTHOLD;
And
DISABLE_INT;
```

The clock module are initialized by the function of ***ClockInitialise()***. The highest frequency is selected by setting DCOx to 7 and RSELx to 15. The frequency is about 20 MHz. The DCOCLK is selected as MCLK by setting SELMx to 0, the divider is set to 1 by setting DIVMx to 00, the DCO is selected as SMCLK by setting SELS to 0, the divider is set to 1 by setting DIVSx to 0. The internal resistor is selected for DCO.

The I²C module is initialized by the ***I2CInitialise()*** function. The pins for P1.6 and P1.7 are set as SCL and SDA, the basic input clock for the I²C module is SMCLK which is sourced from DCO at the frequency of about 20 MHz. By setting the UCB0BR0 to 20 and UCB0BR1 to 0, the I²C clock is 100 kHz. All functions with names beginning I²C are for I²C communication operation. The major functions are listed as follows:

```
I2CWriteRegisterByte
I2CWriteRegisterByteWithCRC
I2CWriteRegisterWordWithCRC
I2CWriteBlockWithCRC
I2CReadRegisterByte
I2CReadRegisterByteWithCRC
I2CReadRegisterWordWithCRC
I2CReadBlockWithCRC
```

These functions are used for reading or writing bq76940 registers in Byte, word or Block operations. For robustness and reliability of the system, bq76940 devices are offered with CRC options. It can be ordered with specific postfix for information described in the “ORDER INFO” section in the data sheet ([SLUSBK2](#)). Functions supporting CRC option devices in this application note are in the format I2Cxxx...xxxWithCRC.

The bq76940 uses 8-bit CRC. The CRC polynomial is $X^8 + X^2 + X + 1$. A function CRC8() is used in the sample code. The prototype of the function is:

```
unsigned char CRC8(unsigned char *ptr, unsigned char len, unsigned char key)
```

The 8-bit CRC value is returned as an unsigned char value by this function, the input parameter ptr, is a pointer to an input string containing the byte(s) that should be involved for CRC calculation. The parameter len is the number of bytes of the string pointed by ptr, the parameter key is derived from the CRC polynomial. This value can be acquired by replacing the X with 2 in the CRC polynomial with first item (the item with highest power index) excluded. For the polynomial used by the bq76940, the key should be 0x7. For a single write operation, the byte transmission sequence is illustrated in [Figure 6](#). In [Figure 6](#), the 8-bit CRC is calculated with the string composed of the data of Byte1, Byte2, and Byte3; note that Byte1 is an 8-bit address with R/W included.

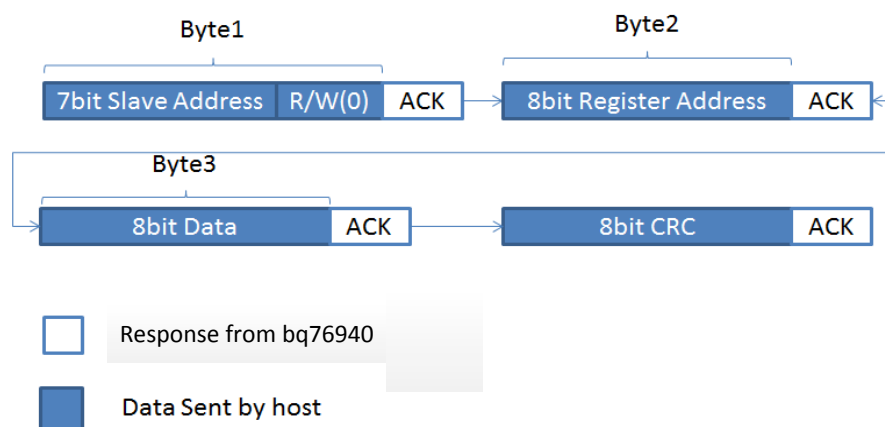


Figure 6. Single Write, Byte Transmission Sequence

For a multi byte transaction, the CRC bytes are interlaced between each 8-bit data item.

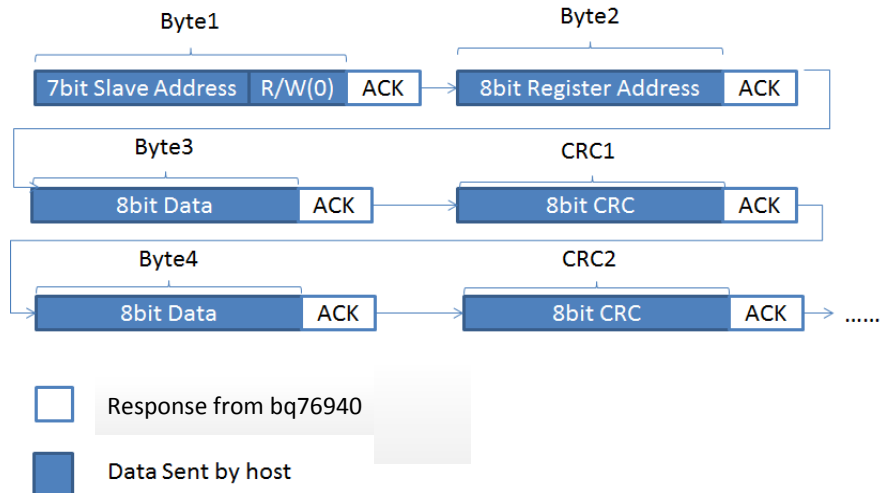


Figure 7. Multiple Bytes Sent to the bq76940 Target Device

In [Figure 7](#), multi bytes are sent to the bq76940 target device, as in single byte transaction, CRC1 is calculated over the byte string from Byte1 to Byte3, afterwards, each CRC byte is only calculated over its successive byte data, that is, CRC2 in [Figure 7](#) is only calculated from Byte4. For a single byte read transaction, the transaction with CRC is like [Figure 8](#). The first CRC1 returned from bq76940 is calculated over Byte3 and Byte4.

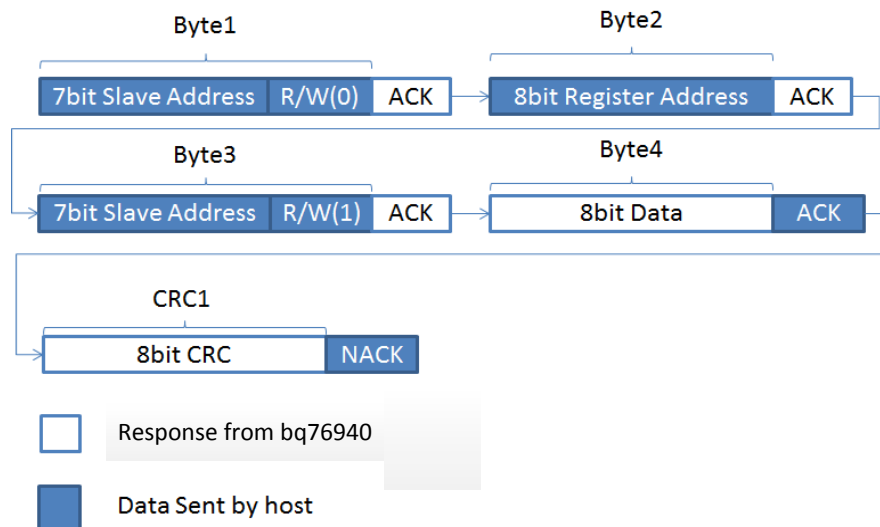
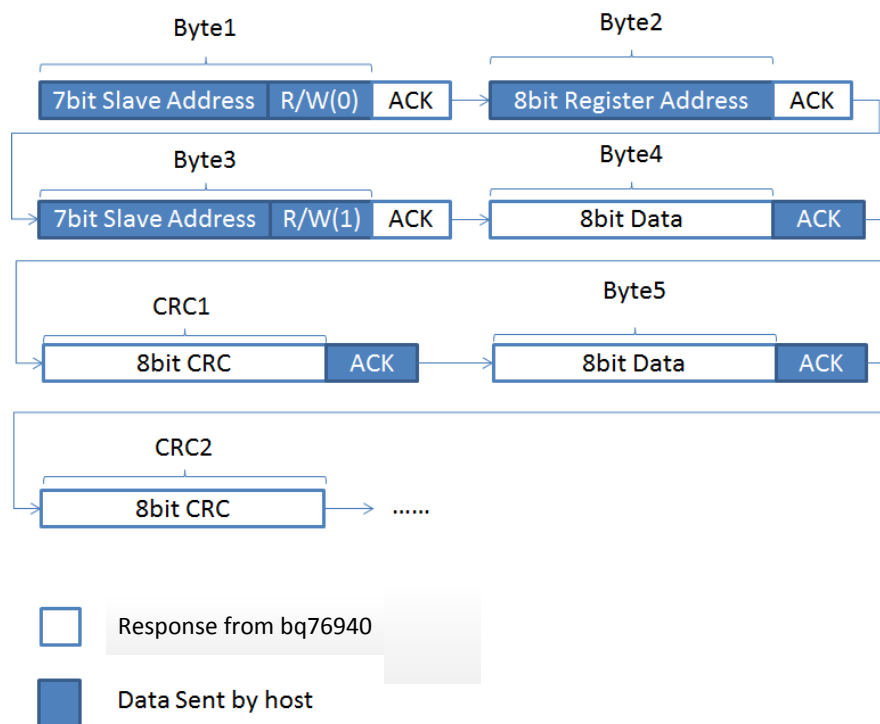


Figure 8. Single Byte Read Transaction with CRC

For the multiple byte reading, the CRC and data returned from bq76940 are also interlaced like multiple byte write.

In [Figure 9](#), CRC1 is just the same as a single byte reading transaction, it is calculated over Byte3 and Byte4, for the following CRCs, like CRC2, it is calculated only over Byte5. Each CRC byte is only calculated over its successive byte.


Figure 9. Multiple Byte Reading

4 Conclusion

This application note describes sample code for MCU and bq76940 communication over I²C, especially on how to generate CRC and how to verify the CRC from the target device. The sample code is written under CCS5.4.0 environment. It can be directly built and downloaded into MSP430G2553. CRC is helpful with communication robustness. The sample code can be referred for actual communication programming.

*The Stack size and Heap size must be set to greater than 100.

Revision History

Changes from Original (November 2013) to A Revision Page

- Added paragraph after [Figure 5](#). 3

Revision History

Changes from A Revision (December 2013) to B Revision Page

- Changed title of document to *PC Communication Sample Code for the bq76940 with a CRC Option Based on the MSP430G2553*. 1
- Changed content of the abstract. 1
- Changed *Introduction* section. 1
- Changed device name to bq76940 in first and third paragraphs in *Hardware Connection* section. 2
- Changed device name to bq76940 in Figure 1. 2
- Changed device name to bq76940 in second paragraph under Figure 5. 3
- Changed device name to bq76940 in all of *Sample Code* section. 4
- Changed device name to bq76940 in Figure 6. 4
- Changed device name to bq76940 in Figure 7. 5
- Changed device name to bq76940 in Figure 8. 5
- Changed device name to bq76940 in Figure 9. 6

IMPORTANT NOTICE

Texas Instruments Incorporated and its subsidiaries (TI) reserve the right to make corrections, enhancements, improvements and other changes to its semiconductor products and services per JESD46, latest issue, and to discontinue any product or service per JESD48, latest issue. Buyers should obtain the latest relevant information before placing orders and should verify that such information is current and complete. All semiconductor products (also referred to herein as "components") are sold subject to TI's terms and conditions of sale supplied at the time of order acknowledgment.

TI warrants performance of its components to the specifications applicable at the time of sale, in accordance with the warranty in TI's terms and conditions of sale of semiconductor products. Testing and other quality control techniques are used to the extent TI deems necessary to support this warranty. Except where mandated by applicable law, testing of all parameters of each component is not necessarily performed.

TI assumes no liability for applications assistance or the design of Buyers' products. Buyers are responsible for their products and applications using TI components. To minimize the risks associated with Buyers' products and applications, Buyers should provide adequate design and operating safeguards.

TI does not warrant or represent that any license, either express or implied, is granted under any patent right, copyright, mask work right, or other intellectual property right relating to any combination, machine, or process in which TI components or services are used. Information published by TI regarding third-party products or services does not constitute a license to use such products or services or a warranty or endorsement thereof. Use of such information may require a license from a third party under the patents or other intellectual property of the third party, or a license from TI under the patents or other intellectual property of TI.

Reproduction of significant portions of TI information in TI data books or data sheets is permissible only if reproduction is without alteration and is accompanied by all associated warranties, conditions, limitations, and notices. TI is not responsible or liable for such altered documentation. Information of third parties may be subject to additional restrictions.

Resale of TI components or services with statements different from or beyond the parameters stated by TI for that component or service voids all express and any implied warranties for the associated TI component or service and is an unfair and deceptive business practice. TI is not responsible or liable for any such statements.

Buyer acknowledges and agrees that it is solely responsible for compliance with all legal, regulatory and safety-related requirements concerning its products, and any use of TI components in its applications, notwithstanding any applications-related information or support that may be provided by TI. Buyer represents and agrees that it has all the necessary expertise to create and implement safeguards which anticipate dangerous consequences of failures, monitor failures and their consequences, lessen the likelihood of failures that might cause harm and take appropriate remedial actions. Buyer will fully indemnify TI and its representatives against any damages arising out of the use of any TI components in safety-critical applications.

In some cases, TI components may be promoted specifically to facilitate safety-related applications. With such components, TI's goal is to help enable customers to design and create their own end-product solutions that meet applicable functional safety standards and requirements. Nonetheless, such components are subject to these terms.

No TI components are authorized for use in FDA Class III (or similar life-critical medical equipment) unless authorized officers of the parties have executed a special agreement specifically governing such use.

Only those TI components which TI has specifically designated as military grade or "enhanced plastic" are designed and intended for use in military/aerospace applications or environments. Buyer acknowledges and agrees that any military or aerospace use of TI components which have **not** been so designated is solely at the Buyer's risk, and that Buyer is solely responsible for compliance with all legal and regulatory requirements in connection with such use.

TI has specifically designated certain components as meeting ISO/TS16949 requirements, mainly for automotive use. In any case of use of non-designated products, TI will not be responsible for any failure to meet ISO/TS16949.

Products

Audio	www.ti.com/audio
Amplifiers	amplifier.ti.com
Data Converters	dataconverter.ti.com
DLP® Products	www.dlp.com
DSP	dsp.ti.com
Clocks and Timers	www.ti.com/clocks
Interface	interface.ti.com
Logic	logic.ti.com
Power Mgmt	power.ti.com
Microcontrollers	microcontroller.ti.com
RFID	www.ti-rfid.com
OMAP Applications Processors	www.ti.com/omap
Wireless Connectivity	www.ti.com/wirelessconnectivity

Applications

Automotive and Transportation	www.ti.com/automotive
Communications and Telecom	www.ti.com/communications
Computers and Peripherals	www.ti.com/computers
Consumer Electronics	www.ti.com/consumer-apps
Energy and Lighting	www.ti.com/energy
Industrial	www.ti.com/industrial
Medical	www.ti.com/medical
Security	www.ti.com/security
Space, Avionics and Defense	www.ti.com/space-avionics-defense
Video and Imaging	www.ti.com/video

TI E2E Community

e2e.ti.com