

## TPS7B4253-Q1 Pin FMEA

---

---

---

Jason Liu

HVAL - MSA - AVL

### ABSTRACT

For automotive off-board sensors and small current off-board modules, the power supply comes through a long cable from the main board. In such cases, protection is required in the power devices for the off-board loads to prevent the onboard components from damage during a short to GND or short to battery caused by a broken cable. Off-board sensors require consistent power supply as onboard components to secure high accuracy of data acquisition.

The TPS7B4253-Q1 device is designed for automotive applications with a 45-V load dump. The device can either be used as one tracking low-dropout (LDO) regulator or voltage tracker to build one closed power loop for off-board sensors with an onboard main supply. The output of the device is accurately regulated by a reference voltage at the ADJ pin.

To provide an accurate power supply to the off-board modules, the device offers a 4-mV ultra-low tracking tolerance between the ADJ and FB pins across temperature. The back-to-back PMOS topology eliminates the need for an external diode under reverse polarity conditions. The TPS7B4253-Q1 device also includes thermal shutdown, inductive clamp, overload, and short-to-battery protection to prevent damage to onboard components during extreme conditions.

---

### Pin FMEA

This application note provides a Failure Modes and Effects Analysis (FMEA) for the device pins of the TPS7B4253-Q1 Voltage-Tracking LDO Regulator. The failure conditions covered in this document include the typical pin-by-pin failure scenarios:

- Pin short-circuited to Ground
- Pin short-circuited to TPS7B4253-Q1  $V_{IN}$
- Pin short-circuited to car battery voltage
- Pin short-circuited to an adjacent pin
- Pin is open-circuited

This application note also details how these pin conditions affect the device:

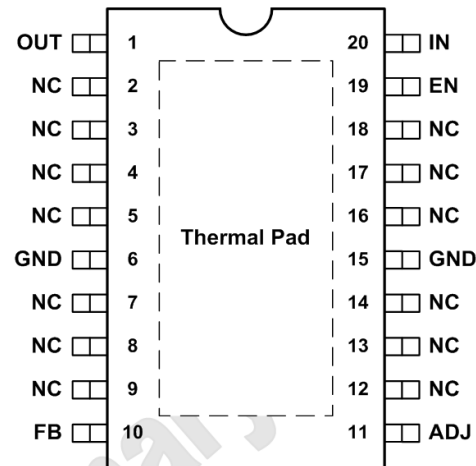
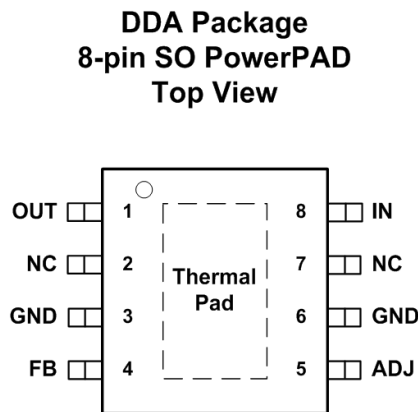
- Does the pin condition cause permanent damage?
- Is the device functional under the pin condition?
- How does the particular pin condition affect the device operation?

For purposes of this report:

- Unless otherwise specified, the voltage applied to the  $V_{IN}$  pin is within the TPS7B4253-Q1 recommended operating range.
- The ADJ/EN pin is driven from an external source.
- Functionality = **YES** indicates the normal device operation.
- Damage = **YES** indicates damage to the device

## Pin Configuration and Functions

### PWP Package 20-Pin HTSSOP with Exposed Thermal Pad Top View



Name	Pin		Type	Description
	SO PowerPAD	HTSSOP		
ADJ	5	11	I	Connect the reference to this pin. A low signal disables the device and a high signal enables the device. The reference voltage can be connected directly or by a voltage divider for lower output voltages. To compensate for line influences, connect a capacitor close to the device pins.
EN	-	19	I	This pin is the enable pin. The device goes to the STANDBY state when the enable pin goes lower than the threshold value.
FB	4	10	I	This pin is the feedback pin which can connect to external resistor divider to select the output voltage
GND	3	6	G	Ground reference
	6	15		
IN	8	20	I	This pin is the device supply. To compensate for line influences, connect a capacitor close to the device pins.
NC	2	2	NC	Not connected
		3		
		4		
		5		
		7		
		8		
		9		
	7	12		
		13		
		14		
		16		
		17		
		18		
		19		
OUT	1	1	O	Block to GND with a capacitor close to the device pins with respect to the capacitance and ESR requirements given in the Output Capacitor section
Exposed thermal pad			-	Connect the thermal pad to the GND pin or leave it floating.

**Table 1. Pin FMEA Analysis for Pin Short-Circuit to Ground**

Pin			Short to Ground		
Name	SO PowerPAD	HTSSOP	Damage	Functionality	Comments
OUT	1	1	No	No	No output voltage. Output current limit is triggered, and thermal shutdown may be activated.
NC	2	2	No	Yes	No effect
		3			
		4			
		5			
		7			
		8			
GND	3	6	No	Yes	Normal operation
		10	No	No	1. FB connected to OUT directly. No output voltage. Output current limit is triggered, and thermal shutdown may be activated. 2. FB connected to OUT with resistors divider. Device will work in switch mode. 3. FB connected to GND (switch mode). No effect.
ADJ	5	11	No	No	Device is disabled
GND	6	15	No	Yes	Normal operation
NC	7	12	No	Yes	No effect
		13			
		14			
		16			
		17			
EN	-	19	No	No	Device is disabled
IN	8	20	No	No	No output voltage. Either input supply is at 0 V, or input fuse is blown.

**Table 2. Pin FMEA Analysis for Pin Short-Circuit to  $V_{IN}$** 

Pin			Short to $V_{IN}$		
Name	SO PowerPAD	HTSSOP	Damage	Functionality	Comments
OUT	1	1	No	No	Internal power MOSFET is switched off.
NC	2	2	No	Yes	No effect
		3			
		4			
		5			
		7			
		8			
GND	3	6	No	No	$V_{IN}$ is short to ground. Either input supply is at 0 V, or input fuse is blown.
FB	4	10	No	No	1. If FB voltage is larger than ADJ voltage, the internal Power MOSFET is switched off. 2. If FB voltage is smaller than ADJ voltage, device will work in switch mode. 3. If FB is connected to GND (switch mode), $V_{IN}$ is shorted to ground. Either input supply is at 0 V, or input fuse is blown.
ADJ	5	11	No	No	When $V_{IN}$ voltage is larger than 1.5 V, output voltage will follow the $V_{IN}$ voltage, and ADJ voltage is clamped at 18 V when $V_{IN}$ is larger than 18 V
GND	6	15	No	No	$V_{IN}$ is short to ground. Either input supply is at 0 V, or input fuse is blown.
NC	7	12	No	Yes	No effect
		13			
		14			
		16			
		17			
		18			
EN	-	19	No	Yes	Device works with normal regulation, but cannot be shut down by EN pin
IN	8	20	No	Yes	Normal operation

**Table 3. Pin FMEA Analysis for Pin Short-Circuit to Car Battery Voltage**

Pin			Short to Car Battery Voltage		
Name	SO PowerPAD	HTSSOP	Damage	Functionality	Comments
OUT	1	1	No	No	No OUT regulation. Internal Power MOSFET is switched off.
NC	2	2	No	Yes	No effect
		3			
		4			
		5			
		7			
		8			
		9			
GND	3	6	No	No	Battery is shorted to ground. Either input supply is at 0 V, or input fuse is blown.
FB	4	10	No	No	1. If FB voltage is larger than ADJ voltage, the internal Power MOSFET is switched off. 2. If FB voltage is smaller than ADJ voltage, device will work in switch mode. 3. If FB is connected to GND (switch mode), battery is shorted to ground. Either input supply is at 0 V, or input fuse is blown.
ADJ	5	11	Yes	No	Output voltage will follow $V_{IN}$ , when $V_{IN}$ equals to car battery voltage, and ADJ voltage is clamped at 18 V when the car battery voltage is larger than 18 V. Car battery voltages greater than $V_{IN}+18$ V will damage the device.
GND	6	15	No	No	Battery is shorted to ground. Either input supply is at 0 V, or input fuse is blown.
NC	7	12	No	Yes	No effect
		13			
		14			
		16			
		17			
		18			
EN	-	19	No	Yes	Device works with normal regulation, but cannot be shut down by EN pin.
IN	8	20	No	Yes	Normal operation

**Table 4. Pin FMEA Analysis for Pin Short-Circuit to an Adjacent Pin (SO PowerPAD)**

Pin		Shorted To		Short to Adjacent Pin		
Name	SO PowerPAD	Name	SO PowerPAD	Damage	Functionality	Comments
OUT	1	IN	8	No	No	Not considered. Pins located on opposite package side.
NC	2	OUT	1	No	Yes	No effect
GND	3	NC	2	No	Yes	No effect
FB	4	GND	3	No	No	1. FB connected to OUT directly. No output voltage. Output current limit is triggered, and thermal shutdown may be activated. 2. FB connected to OUT with resistors divider. Device will work in switch mode. 3. FB connected to GND (switch mode). No effect.
ADJ	5	FB	4	No	No	Not considered. Pins located on opposite package side.
GND	6	ADJ	5	No	No	Device is disabled
NC	7	GND	6	No	Yes	No effect
IN	8	NC	7	No	Yes	No effect

**Table 5. Pin FMEA Analysis for Pin Short-Circuit to an Adjacent Pin (HTSSOP)**

Pin		Shorted To		Short to Adjacent Pin		
Name	HTSSOP	Name	HTSSOP	Damage	Functionality	Comments
OUT	1	IN	20	No	No	Not considered. Pins located on opposite package side.
NC	2	OUT	1	No	Yes	No effect
NC	3	NC	2	No	Yes	No effect
NC	4	NC	3	No	Yes	No effect
NC	5	NC	4	No	Yes	No effect
GND	6	NC	5	No	Yes	No effect
NC	7	GND	6	No	Yes	No effect
NC	8	NC	7	No	Yes	No effect
NC	9	NC	8	No	Yes	No effect
FB	10	NC	9	No	Yes	No effect
ADJ	11	FB	10	No	No	Not considered. Pins located on opposite package side.
NC	12	ADJ	11	No	Yes	No effect
NC	13	NC	12	No	Yes	No effect
NC	14	NC	13	No	Yes	No effect
GND	15	NC	14	No	Yes	No effect
NC	16	GND	15	No	Yes	No effect
NC	17	NC	16	No	Yes	No effect
NC	18	NC	17	No	Yes	No effect
EN	19	NC	18	No	Yes	No effect
IN	20	EN	19	No	Yes	No effect

**Table 6. Pin FMEA Analysis for Pin Open-Circuit**

Pin			Open		
Name	SO PowerPAD	HTSSOP	Damage	Functionality	Comments
OUT	1	1	No	No	No output voltage to load
NC	2	2	No	Yes	No effect
		3			
		4			
		5			
		7			
		8			
GND	3	6	No	Yes	Device still functions because pin 6 (SO PowerPAD)/15(HTSSOP) is still connected
FB	4	10	No	No	Device is out of control.
ADJ	5	11	No	No	When the voltage at ADJ pin is larger than 1.5 V, output voltage will follow the lower value of the input voltage and the ADJ voltage, and the maximum output voltage value is about 18 V
GND	6	15	No	Yes	Device still functions because pin 3 (SO PowerPAD)/6 (HTSSOP) is still connected.
NC	7	12	No	Yes	No effect
		13			
		14			
		16			
		17			
		18			
EN	-	19	No	No	Device is disabled
IN	8	20	No	No	No output voltage

## IMPORTANT NOTICE

Texas Instruments Incorporated and its subsidiaries (TI) reserve the right to make corrections, enhancements, improvements and other changes to its semiconductor products and services per JESD46, latest issue, and to discontinue any product or service per JESD48, latest issue. Buyers should obtain the latest relevant information before placing orders and should verify that such information is current and complete. All semiconductor products (also referred to herein as "components") are sold subject to TI's terms and conditions of sale supplied at the time of order acknowledgment.

TI warrants performance of its components to the specifications applicable at the time of sale, in accordance with the warranty in TI's terms and conditions of sale of semiconductor products. Testing and other quality control techniques are used to the extent TI deems necessary to support this warranty. Except where mandated by applicable law, testing of all parameters of each component is not necessarily performed.

TI assumes no liability for applications assistance or the design of Buyers' products. Buyers are responsible for their products and applications using TI components. To minimize the risks associated with Buyers' products and applications, Buyers should provide adequate design and operating safeguards.

TI does not warrant or represent that any license, either express or implied, is granted under any patent right, copyright, mask work right, or other intellectual property right relating to any combination, machine, or process in which TI components or services are used. Information published by TI regarding third-party products or services does not constitute a license to use such products or services or a warranty or endorsement thereof. Use of such information may require a license from a third party under the patents or other intellectual property of the third party, or a license from TI under the patents or other intellectual property of TI.

Reproduction of significant portions of TI information in TI data books or data sheets is permissible only if reproduction is without alteration and is accompanied by all associated warranties, conditions, limitations, and notices. TI is not responsible or liable for such altered documentation. Information of third parties may be subject to additional restrictions.

Resale of TI components or services with statements different from or beyond the parameters stated by TI for that component or service voids all express and any implied warranties for the associated TI component or service and is an unfair and deceptive business practice. TI is not responsible or liable for any such statements.

Buyer acknowledges and agrees that it is solely responsible for compliance with all legal, regulatory and safety-related requirements concerning its products, and any use of TI components in its applications, notwithstanding any applications-related information or support that may be provided by TI. Buyer represents and agrees that it has all the necessary expertise to create and implement safeguards which anticipate dangerous consequences of failures, monitor failures and their consequences, lessen the likelihood of failures that might cause harm and take appropriate remedial actions. Buyer will fully indemnify TI and its representatives against any damages arising out of the use of any TI components in safety-critical applications.

In some cases, TI components may be promoted specifically to facilitate safety-related applications. With such components, TI's goal is to help enable customers to design and create their own end-product solutions that meet applicable functional safety standards and requirements. Nonetheless, such components are subject to these terms.

No TI components are authorized for use in FDA Class III (or similar life-critical medical equipment) unless authorized officers of the parties have executed a special agreement specifically governing such use.

Only those TI components which TI has specifically designated as military grade or "enhanced plastic" are designed and intended for use in military/aerospace applications or environments. Buyer acknowledges and agrees that any military or aerospace use of TI components which have **not** been so designated is solely at the Buyer's risk, and that Buyer is solely responsible for compliance with all legal and regulatory requirements in connection with such use.

TI has specifically designated certain components as meeting ISO/TS16949 requirements, mainly for automotive use. In any case of use of non-designated products, TI will not be responsible for any failure to meet ISO/TS16949.

### Products

Audio	<a href="http://www.ti.com/audio">www.ti.com/audio</a>
Amplifiers	<a href="http://amplifier.ti.com">amplifier.ti.com</a>
Data Converters	<a href="http://dataconverter.ti.com">dataconverter.ti.com</a>
DLP® Products	<a href="http://www.dlp.com">www.dlp.com</a>
DSP	<a href="http://dsp.ti.com">dsp.ti.com</a>
Clocks and Timers	<a href="http://www.ti.com/clocks">www.ti.com/clocks</a>
Interface	<a href="http://interface.ti.com">interface.ti.com</a>
Logic	<a href="http://logic.ti.com">logic.ti.com</a>
Power Mgmt	<a href="http://power.ti.com">power.ti.com</a>
Microcontrollers	<a href="http://microcontroller.ti.com">microcontroller.ti.com</a>
RFID	<a href="http://www.ti-rfid.com">www.ti-rfid.com</a>
OMAP Applications Processors	<a href="http://www.ti.com/omap">www.ti.com/omap</a>
Wireless Connectivity	<a href="http://www.ti.com/wirelessconnectivity">www.ti.com/wirelessconnectivity</a>

### Applications

Automotive and Transportation	<a href="http://www.ti.com/automotive">www.ti.com/automotive</a>
Communications and Telecom	<a href="http://www.ti.com/communications">www.ti.com/communications</a>
Computers and Peripherals	<a href="http://www.ti.com/computers">www.ti.com/computers</a>
Consumer Electronics	<a href="http://www.ti.com/consumer-apps">www.ti.com/consumer-apps</a>
Energy and Lighting	<a href="http://www.ti.com/energy">www.ti.com/energy</a>
Industrial	<a href="http://www.ti.com/industrial">www.ti.com/industrial</a>
Medical	<a href="http://www.ti.com/medical">www.ti.com/medical</a>
Security	<a href="http://www.ti.com/security">www.ti.com/security</a>
Space, Avionics and Defense	<a href="http://www.ti.com/space-avionics-defense">www.ti.com/space-avionics-defense</a>
Video and Imaging	<a href="http://www.ti.com/video">www.ti.com/video</a>

### TI E2E Community

[e2e.ti.com](http://e2e.ti.com)