

# TPS54618-Q1 High-Frequency (2.35 MHz) Operation

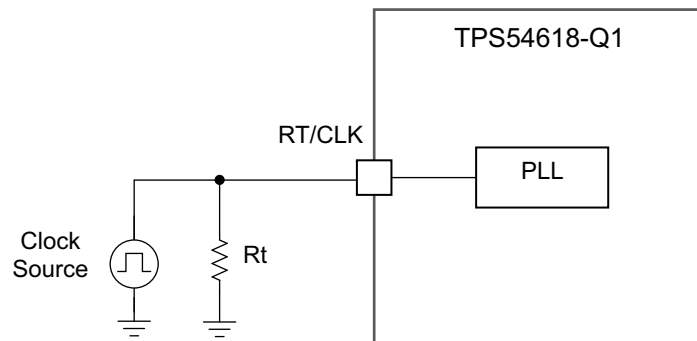
John Tucker

## ABSTRACT

This document describes the TPS54618-Q1 High-Frequency (2.35 MHz) operation and (2.5 MHz) simulation test results. This application report is applicable to TPS57114-Q1 and TPS54388-Q1 devices also as these two devices belong to the same family as the TPS54618-Q1 device.

## 1 Introduction

The TPS54618-Q1 device is a full-featured 6-Vin, 6-A, synchronous step-down current-mode DC-DC converter with two integrated metal-oxide-semiconductor field-effect transistors (MOSFETs). The TPS54618-Q1 device can operate in a wide range of switching frequencies from 200-KHz to 2-MHz. The switching frequency can be set using a pulldown resistor or an externally applied signal at the RT pin as shown in [Figure 1](#). Refer to *Interfacing TPS57xxx-Q1, TPS65320-Q1 Family, and TPS65321-Q1 Devices With Low Impedance External Clock Drivers (SLVA755)*, for more information regarding interfacing an external clock to TPS54618-Q1 family of devices.



**Figure 1. Synchronizing to a High-Impedance External Clock Source**

The regulated output voltage at no load is given by [Equation 1](#):

$$V_{out} = V_{in} \times t_{ON} \times f_{SW}$$

where

- $V_{in}$  = input voltage
- $V_{out}$  = output voltage
- $t_{ON}$  = ON time

and

- $f_{SW}$  = switching frequency (1)

For given input and output voltages, as switching frequency is increased,  $t_{ON}$  will reduce. If  $t_{ON}$  falls below the minimum value allowed by the internal circuit design, the output voltage may not track the internal 0.8-V reference and would therefore not be regulated. To maintain the regulation at higher switching frequencies,  $t_{ON}$  must be kept above a minimum value. If the switching frequency is less than or equal to the data sheet maximum value of 2 MHz,  $t_{ON}$  will always be above designed minimum value and the output would be regulated.

All trademarks are the property of their respective owners.

## 2 2.35-MHz Operation

Bench test and chip-level simulations were done to check whether the TPS54618-Q1 can remain in regulation while switching at a frequency higher than 2.0 MHz.

The test conditions for the bench test and chip-level simulation were as follows:

- Supply input voltage: 5.33 V
- Regulated output voltage: 1.35 V
- Operating switching frequency in bench setup: 2.35 MHz synchronized to an external clock as shown in [Figure 1](#).

Under these test conditions, the on time at a 100-mA load for the TPS54618-Q1 to maintain regulation was verified by bench measurements to be 109.6 ns, compared to the value estimated by [Equation 2](#):

$$(1.35 \text{ V} / 5.33 \text{ V}) \times (1 / 2.35 \text{ MHz}) = 107.8 \text{ ns} \quad (2)$$

Minimum controllable on time at higher frequency and input voltage is verified to be less than 90 ns, confirmed by the simulations in [Section 3](#).

## 3 2.5-MHz Operation Simulation Results

A full chip breaking-point simulation is performed at 2.5-MHz clock frequency using the input and output voltages specified in the following list to determine the minimum controllable  $t_{ON}$  allowed by internal circuit design. The 2.5-MHz clock frequency is chosen to have some margin for oscillator tolerances and to be sure that it works for 2.35-MHz clock frequency.

- Input voltage swept from 5 V to 6 V
- Output voltage programmed to 1.35 V
- Load current set to 10 mA using a 135- $\Omega$  resistor
- $L_{OUT} = 0.33 \mu\text{H}$ ,  $C_{OUT} = 33 \mu\text{F}$
- $R_{COMP} = 3.83 \text{ k}\Omega$ ,  $C_{ZERO} = 1.5 \text{ nF}$ ,  $C_{POLE} = 0 \text{ pF}$

Simulation results:

- Transient turn on behavior appears normal

[Table 1](#) lists the simulation results across process corners and across temperature with 10-mA load current.

**Table 1. Breaking Point Simulation Data With 10-mA Load at 2.5 MHz**

Process Corner / Temperature	Simulated $V_{REF}$ (mV)	$V_{IN}$ (V)	Actual $V_{out}$ (V)	$F_{SW}$ (MHz)	Calculated $t_{ON}$ (ns)	Simulated $t_{ON}$ (ns)
Nominal / 27°C	819	6	1.352	2.5	90.1	94.9
Weak / -40°C	814	6	1.343	2.5	89.5	94.5
Weak / 150°C	835	6	1.382	2.5	92.1	96.2
Strong / -40°C	809	6	1.335	2.5	89.0	91.8
Strong / 150°C	823	6	1.362	2.5	90.8	96.3

Based on the simulation results, the minimum controllable on-time is found to be lower than 100 ns at a 10-mA load.

#### 4 Conclusion

The switching ON time for an input voltage of 5.33 V and a regulated output voltage of 1.35 V and a switching frequency of 2.35 MHz is calculated to be 107.8 ns during no load conditions. This is higher than the minimum controllable ON time of 105 ns allowed by internal circuit design based on simulations. The TPS54618-Q1 is expected to be capable of maintaining regulation without entering pulse-skipping mode up to 2.35-MHz switching frequency under this operating condition. This result has been verified by bench measurements to be accurate under extreme temperature corners on typical devices.

## IMPORTANT NOTICE FOR TI DESIGN INFORMATION AND RESOURCES

Texas Instruments Incorporated ("TI") technical, application or other design advice, services or information, including, but not limited to, reference designs and materials relating to evaluation modules, (collectively, "TI Resources") are intended to assist designers who are developing applications that incorporate TI products; by downloading, accessing or using any particular TI Resource in any way, you (individually or, if you are acting on behalf of a company, your company) agree to use it solely for this purpose and subject to the terms of this Notice.

TI's provision of TI Resources does not expand or otherwise alter TI's applicable published warranties or warranty disclaimers for TI products, and no additional obligations or liabilities arise from TI providing such TI Resources. TI reserves the right to make corrections, enhancements, improvements and other changes to its TI Resources.

You understand and agree that you remain responsible for using your independent analysis, evaluation and judgment in designing your applications and that you have full and exclusive responsibility to assure the safety of your applications and compliance of your applications (and of all TI products used in or for your applications) with all applicable regulations, laws and other applicable requirements. You represent that, with respect to your applications, you have all the necessary expertise to create and implement safeguards that (1) anticipate dangerous consequences of failures, (2) monitor failures and their consequences, and (3) lessen the likelihood of failures that might cause harm and take appropriate actions. You agree that prior to using or distributing any applications that include TI products, you will thoroughly test such applications and the functionality of such TI products as used in such applications. TI has not conducted any testing other than that specifically described in the published documentation for a particular TI Resource.

You are authorized to use, copy and modify any individual TI Resource only in connection with the development of applications that include the TI product(s) identified in such TI Resource. NO OTHER LICENSE, EXPRESS OR IMPLIED, BY ESTOPPEL OR OTHERWISE TO ANY OTHER TI INTELLECTUAL PROPERTY RIGHT, AND NO LICENSE TO ANY TECHNOLOGY OR INTELLECTUAL PROPERTY RIGHT OF TI OR ANY THIRD PARTY IS GRANTED HEREIN, including but not limited to any patent right, copyright, mask work right, or other intellectual property right relating to any combination, machine, or process in which TI products or services are used. Information regarding or referencing third-party products or services does not constitute a license to use such products or services, or a warranty or endorsement thereof. Use of TI Resources may require a license from a third party under the patents or other intellectual property of the third party, or a license from TI under the patents or other intellectual property of TI.

TI RESOURCES ARE PROVIDED "AS IS" AND WITH ALL FAULTS. TI DISCLAIMS ALL OTHER WARRANTIES OR REPRESENTATIONS, EXPRESS OR IMPLIED, REGARDING TI RESOURCES OR USE THEREOF, INCLUDING BUT NOT LIMITED TO ACCURACY OR COMPLETENESS, TITLE, ANY EPIDEMIC FAILURE WARRANTY AND ANY IMPLIED WARRANTIES OF MERCHANTABILITY, FITNESS FOR A PARTICULAR PURPOSE, AND NON-INFRINGEMENT OF ANY THIRD PARTY INTELLECTUAL PROPERTY RIGHTS.

TI SHALL NOT BE LIABLE FOR AND SHALL NOT DEFEND OR INDEMNIFY YOU AGAINST ANY CLAIM, INCLUDING BUT NOT LIMITED TO ANY INFRINGEMENT CLAIM THAT RELATES TO OR IS BASED ON ANY COMBINATION OF PRODUCTS EVEN IF DESCRIBED IN TI RESOURCES OR OTHERWISE. IN NO EVENT SHALL TI BE LIABLE FOR ANY ACTUAL, DIRECT, SPECIAL, COLLATERAL, INDIRECT, PUNITIVE, INCIDENTAL, CONSEQUENTIAL OR EXEMPLARY DAMAGES IN CONNECTION WITH OR ARISING OUT OF TI RESOURCES OR USE THEREOF, AND REGARDLESS OF WHETHER TI HAS BEEN ADVISED OF THE POSSIBILITY OF SUCH DAMAGES.

You agree to fully indemnify TI and its representatives against any damages, costs, losses, and/or liabilities arising out of your non-compliance with the terms and provisions of this Notice.

This Notice applies to TI Resources. Additional terms apply to the use and purchase of certain types of materials, TI products and services. These include; without limitation, TI's standard terms for semiconductor products (<http://www.ti.com/sc/docs/stdterms.htm>), [evaluation modules](#), and [samples](http://www.ti.com/sc/docs/sampterm.htm) (<http://www.ti.com/sc/docs/sampterm.htm>).

Mailing Address: Texas Instruments, Post Office Box 655303, Dallas, Texas 75265  
Copyright © 2017, Texas Instruments Incorporated