

# TVS3300 Configurations Characterization

Cameron Phillips

## ABSTRACT

This application report shows the electrical characteristics and test data of using two TVS3300 Unidirectional TVS diodes to make a bidirectional solution. The application note gives typical data and graphs showing all of the different specifications that are found in the TVS3300 datasheet, but with two of them back to back to protect in a bidirectional application.

## Contents

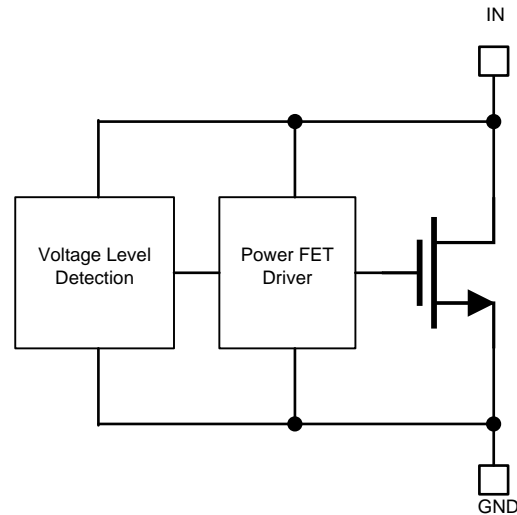
1	Introduction .....	2
2	Detailed Description .....	2
	2.1 Bidirectional Configuration .....	2
3	Electrical Characteristics .....	4
4	ESD Ratings - JEDEC Specification .....	4
5	ESD Ratings - IEC Specification .....	4
6	Typical Characteristic Graphs .....	5
7	Application and Information .....	6
8	Layout .....	7
	8.1 Layout Guidelines .....	7
	8.2 Layout Example .....	7

## List of Figures

1	TVS3300 Functional Block Diagram .....	2
2	Body Diode of TVS3300 .....	3
3	TVS3300 Bidirectional Configuration .....	3
4	Surge Response at 35 A .....	5
5	Capacitance vs Temperature Across Bias .....	5
6	Leakage Current vs Temperature at 33 V .....	5
7	Leakage Current vs Temperature at –33 V .....	5
8	VBR+ Across Temperature .....	5
9	VBR- Across Temperature .....	5
10	8-kV IEC Response .....	5
11	–8-kV IEC Response .....	5
12	4–20-mA Current Loop .....	6
13	TVS3300 Bidirectional Layout .....	7

## 1 Introduction

The TVS3300 is a precision clamp that keeps ultra-low and flat clamping voltage during transient overvoltage events like surge. With TI's precision surge technology, the TVS3300's clamping voltage varies little across the surge current it is rated for. The TVS3300 also responds fast to the surge to limit overshoot voltage during clamping. Used in the system, the TVS3300's flat low clamping ensures a lower voltage for downstream devices than traditional TVS diodes. This application report helps understand the electrical characteristics of the different configurations the TVS3300 can be used in. Figure 1 shows the functional block diagram of the TVS3300.



Copyright © 2017, Texas Instruments Incorporated

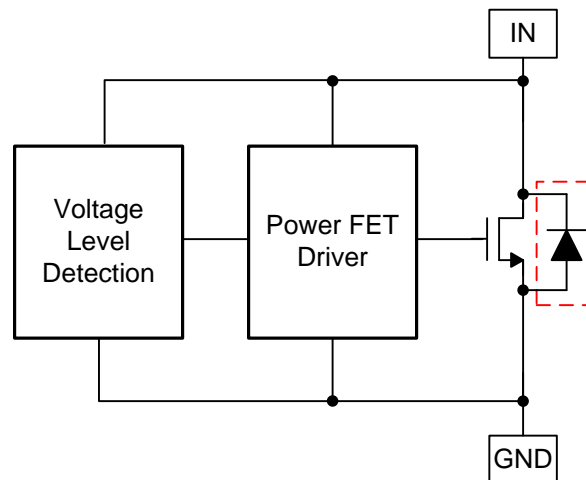
**Figure 1. TVS3300 Functional Block Diagram**

## 2 Detailed Description

The TVS3300 is a precision clamp that keeps ultra-low and flat clamping voltage during transient overvoltage events like surge. The TVS3300 can handle 35-A of 8/20- $\mu$ s surge pulse. The flat clamping feature helps keep the clamping voltage very low to keep the downstream circuits from being stressed. The flat clamping feature can also help end-equipment designers save cost by opening up the possibility to use lower-cost lower voltage tolerant downstream ICs. The TVS3300 has minimal leakage, even in bi-directional configuration, under the standoff voltage of 33 V, making it an ideal candidate, but not limited to for majority of factory and process automation applications. IEC61000-4-2 and IEC61000-4-4 ratings make it a robust protection solution for ESD and EFT events. Wide ambient temperature range of  $-40^{\circ}\text{C}$  to  $125^{\circ}\text{C}$  make it a good candidate for most applications. Compact packages enable it to be used in small devices and save board area.

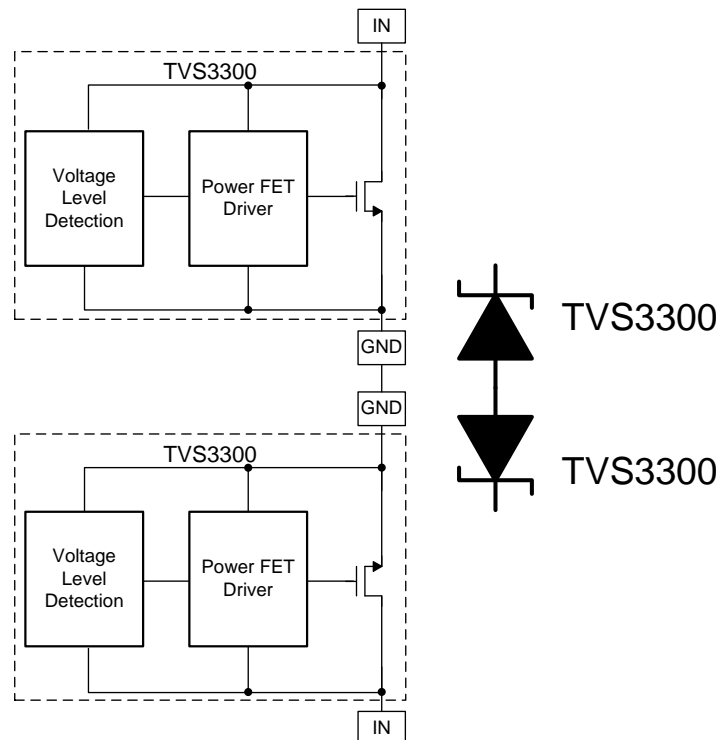
### 2.1 Bidirectional Configuration

The TVS3300 can be modeled as a power FET with control circuitry. However, the main power FET has an internal body diode from source to drain pictured in Figure 2.



**Figure 2. Body Diode of TVS3300**

Therefore if the device is connected backwards in an application, current would easily flow from the "GND" pin to the "IN" pin. Miswiring configurations are troublesome for applications that require bidirectional configuration for their TVS diodes. In order to compensate for this, two TVS3300's placed with their ground pins connected together are used. See [Figure 3](#).



**Figure 3. TVS3300 Bidirectional Configuration**

It is important to note that if desired the TVS3300 can be placed in the direction where their body diodes are facing each other (shorting the "IN" pins together). However in that scenario the bottom TVS3300 body diode will be blocking the path to ground until the bottom FET turn on. While this is not an issue it is more intuitive to have the bottom TVS3300 diode facing ground so that any stored up charge in between the two devices will have an easier path to dissipate to ground. Therefore it is recommended to connect the "GND" pins together but is acceptable to reverse both TVS3300s.

### 3 Electrical Characteristics

 over operating free-air temperature,  $-40^{\circ}\text{C}$  to  $125^{\circ}\text{C}$ 

	PARAMETER	TEST CONDITIONS	MIN	TYP	MAX	UNIT
$V_{\text{IN}}$	IN pin voltage			33		V
$T_{\text{A}}$	Ambient operating temperature		-40		125	$^{\circ}\text{C}$
$V_{\text{RWM}}$	Reverse standoff voltage	Measured $I_{\text{N}} = 1 \mu\text{A}$		33		V
$-V_{\text{RWM}}$	Negative reverse standoff voltage	Measured $I_{\text{N}} = -1 \mu\text{A}$		-33		V
$I_{\text{LEAK}}$	Leakage current	Measured at $V_{\text{IN}} = 33 \text{ V}$ $T_{\text{A}} = 27^{\circ}\text{C}$		19		nA
$V_{\text{BR}}$	Breakdown voltage	$I_{\text{IN}} = 1 \text{ mA}$		36.2		V
$-V_{\text{BR}}$	Negative breakdown voltage	$I_{\text{IN}} = -1 \text{ mA}$		-36.2		V
$V_{\text{CLAMP}}$	Clamping voltage	$I_{\text{PP}} = 35 \text{ A}$ , IEC 61000-4-5 surge (8/20 $\mu\text{s}$ ), $V_{\text{IN}} = 0 \text{ V}$ before surge		38		V
$R_{\text{DYN}}$	8/20- $\mu\text{s}$ surge dynamic resistance	Calculated from $V_{\text{CLAMP}}$ at 15 A and 30 A surge current levels, $T_{\text{A}} = 27^{\circ}\text{C}$		87		$\text{m}\Omega$
$C_{\text{IN}}$	Input pin capacitance	$V_{\text{IN}} = 12 \text{ V}$		89		pF

### 4 ESD Ratings - JEDEC Specification

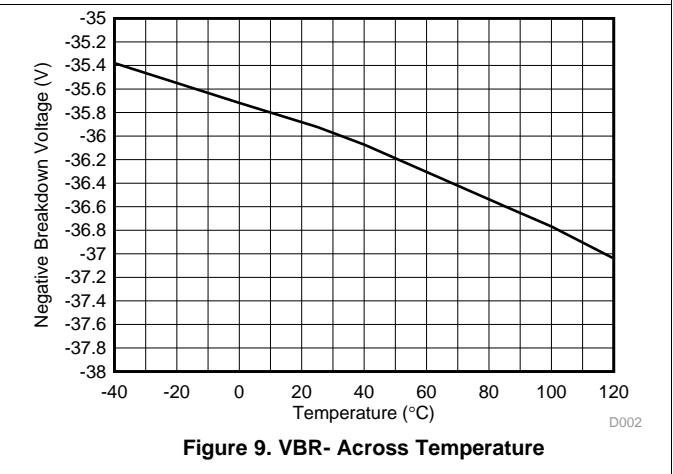
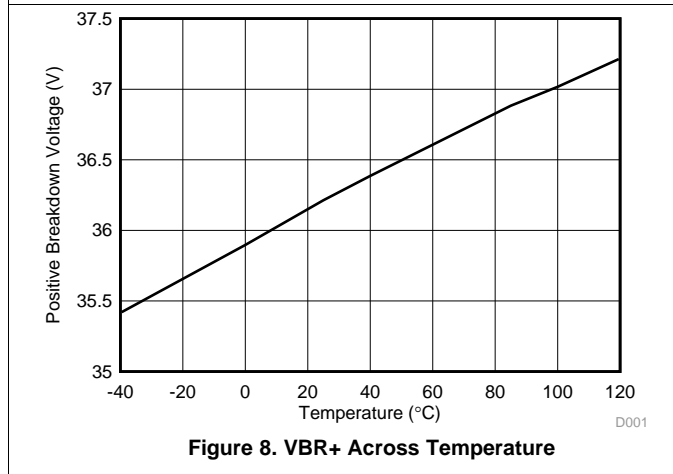
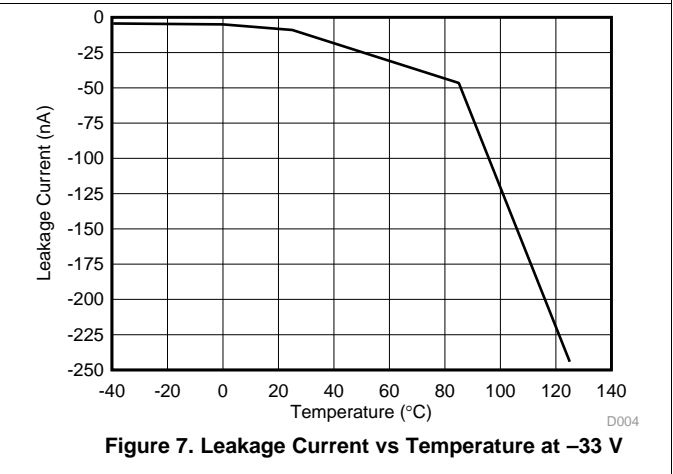
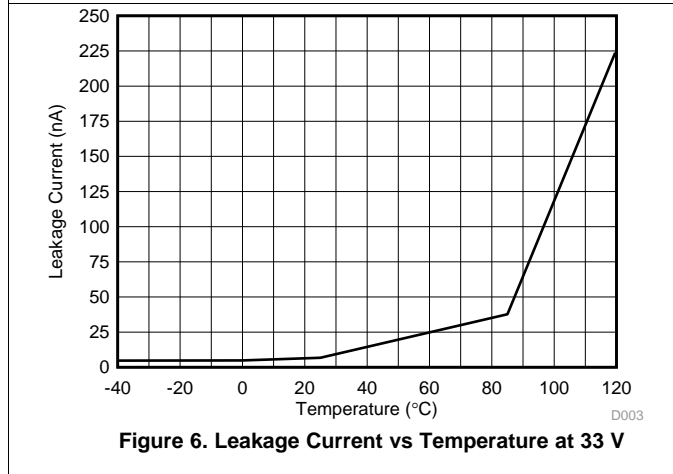
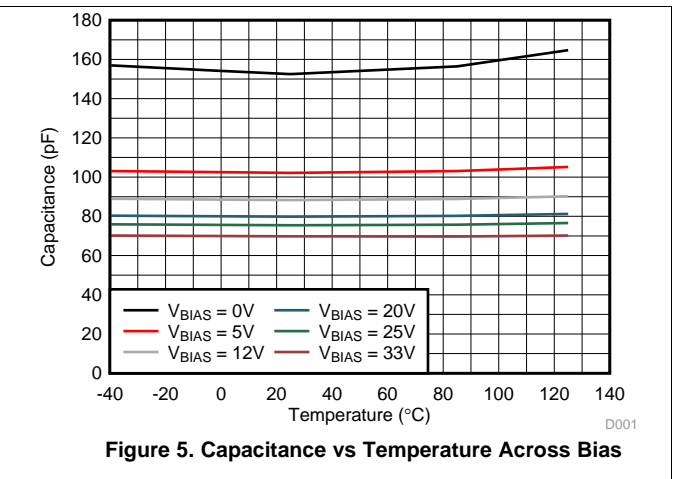
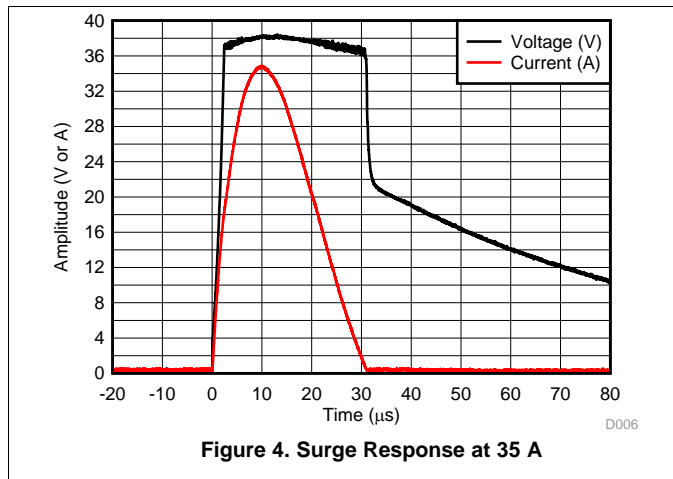
		VALUE	UNIT
$V_{\text{(ESD)}}$	Electrostatic discharge	Human body model (HBM), per ANSI/ESDA/JEDEC JS-001	$\pm 2000$
		Charged device model (CDM), per ANSI/ESDA/JEDEC JS-002	$\pm 500$
			V

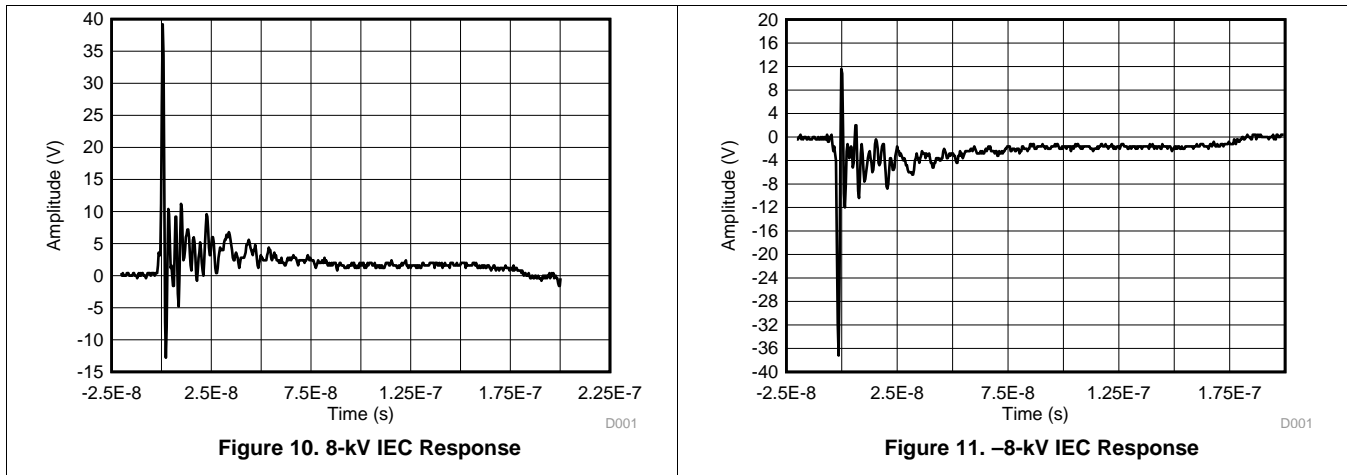
### 5 ESD Ratings - IEC Specification

		VALUE	UNIT
$V_{\text{(ESD)}}$	Electrostatic discharge	IEC 61000-4-2 contact discharge - WCSP package	$\pm 14000$
		IEC 61000-4-2 contact discharge - DRV package	$\pm 11000$
		IEC 61000-4-2 air gap discharge	$\pm 30000$
		IEC 61000-4-4 EFT protection (5/50 ns)	80
Peak pulse	Clamping direction	IEC 61000-4-5 current (8/20 $\mu\text{s}$ )	35
		IEC 61000-4-5 power (8/20 $\mu\text{s}$ )	1330
			V
			A
			W

## 6 Typical Characteristic Graphs

All graphs taken with two TVS3300's in bidirectional configuration.

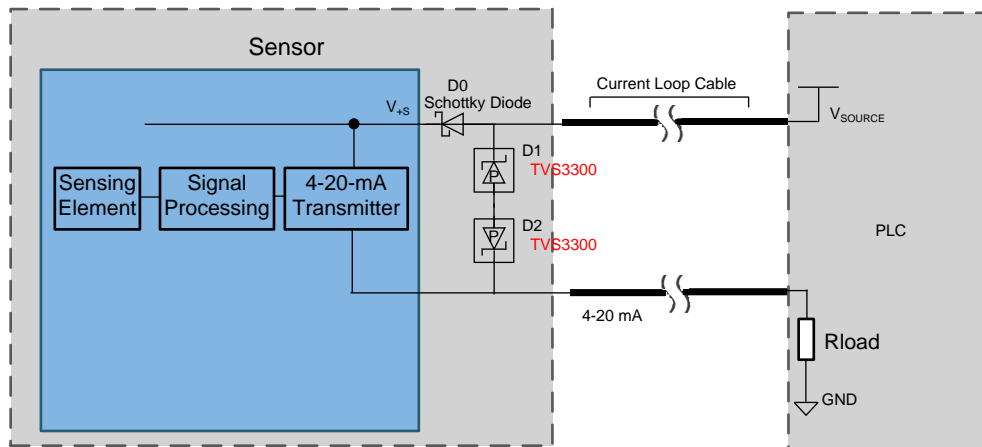




## 7 Application and Information

The TVS3300 is a precision clamp that keeps ultra-low and flat clamping voltage during transient overvoltage events like surge. The TVS3300 also responds fast to surge so there is no overshoot voltage during clamping. When used for bidirectional applications, two TVS3300 device should be placed back to back. Key specifications that highlight the differences between using two TVS3300s back to back and just one are, dynamic resistance and input capacitance. Obviously when two devices go in series their effective resistance is about doubled and their capacitance is half. Also because they are in series, they both take the same amount of current and therefore the total power capable of being used is the same as the single TVS3300 case.

A typical application where the bidirectional configuration of the TVS3300 is used is [Figure 12](#). All current loop applications require a bidirectional TVS diode in case there is a negative voltage swing. Two TVS3300's work well in this application because of their low leakage current that is negligible compared to the signal and the flat clamping voltage that makes sure devices do not see big overvoltage events.



Copyright © 2017, Texas Instruments Incorporated

**Figure 12. 4–20-mA Current Loop**

## 8 Layout

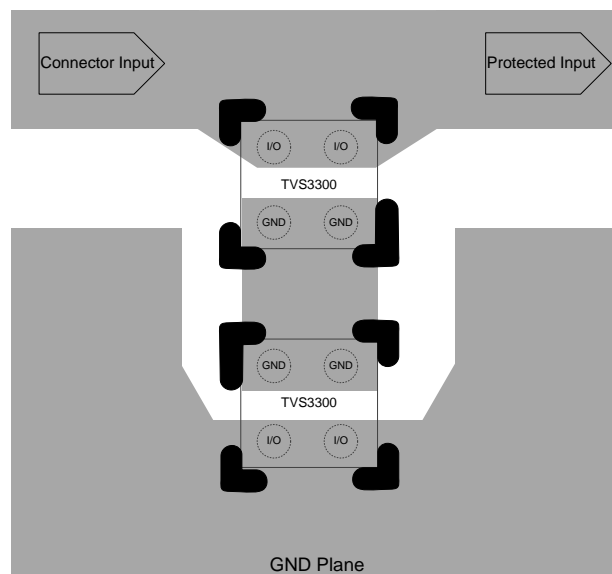
### 8.1 Layout Guidelines

The optimum placement is as close to the connector as possible. EMI during an ESD event can couple from the trace being struck to other nearby unprotected traces, resulting in early system failures. The PCB designer needs to minimize the possibility of EMI coupling by keeping any unprotected traces away from the protected traces which are between the two TVS3300s and the connector.

Route the protected traces as straight as possible

Eliminate any sharp corners on the protected traces between the TVS3300 and the connector by using rounded corners with the largest radii possible. Electric files tend to build up on corners, increasing EMI coupling.

### 8.2 Layout Example



**Figure 13. TVS3300 Bidirectional Layout**

## IMPORTANT NOTICE FOR TI DESIGN INFORMATION AND RESOURCES

Texas Instruments Incorporated ("TI") technical, application or other design advice, services or information, including, but not limited to, reference designs and materials relating to evaluation modules, (collectively, "TI Resources") are intended to assist designers who are developing applications that incorporate TI products; by downloading, accessing or using any particular TI Resource in any way, you (individually or, if you are acting on behalf of a company, your company) agree to use it solely for this purpose and subject to the terms of this Notice.

TI's provision of TI Resources does not expand or otherwise alter TI's applicable published warranties or warranty disclaimers for TI products, and no additional obligations or liabilities arise from TI providing such TI Resources. TI reserves the right to make corrections, enhancements, improvements and other changes to its TI Resources.

You understand and agree that you remain responsible for using your independent analysis, evaluation and judgment in designing your applications and that you have full and exclusive responsibility to assure the safety of your applications and compliance of your applications (and of all TI products used in or for your applications) with all applicable regulations, laws and other applicable requirements. You represent that, with respect to your applications, you have all the necessary expertise to create and implement safeguards that (1) anticipate dangerous consequences of failures, (2) monitor failures and their consequences, and (3) lessen the likelihood of failures that might cause harm and take appropriate actions. You agree that prior to using or distributing any applications that include TI products, you will thoroughly test such applications and the functionality of such TI products as used in such applications. TI has not conducted any testing other than that specifically described in the published documentation for a particular TI Resource.

You are authorized to use, copy and modify any individual TI Resource only in connection with the development of applications that include the TI product(s) identified in such TI Resource. NO OTHER LICENSE, EXPRESS OR IMPLIED, BY ESTOPPEL OR OTHERWISE TO ANY OTHER TI INTELLECTUAL PROPERTY RIGHT, AND NO LICENSE TO ANY TECHNOLOGY OR INTELLECTUAL PROPERTY RIGHT OF TI OR ANY THIRD PARTY IS GRANTED HEREIN, including but not limited to any patent right, copyright, mask work right, or other intellectual property right relating to any combination, machine, or process in which TI products or services are used. Information regarding or referencing third-party products or services does not constitute a license to use such products or services, or a warranty or endorsement thereof. Use of TI Resources may require a license from a third party under the patents or other intellectual property of the third party, or a license from TI under the patents or other intellectual property of TI.

TI RESOURCES ARE PROVIDED "AS IS" AND WITH ALL FAULTS. TI DISCLAIMS ALL OTHER WARRANTIES OR REPRESENTATIONS, EXPRESS OR IMPLIED, REGARDING TI RESOURCES OR USE THEREOF, INCLUDING BUT NOT LIMITED TO ACCURACY OR COMPLETENESS, TITLE, ANY EPIDEMIC FAILURE WARRANTY AND ANY IMPLIED WARRANTIES OF MERCHANTABILITY, FITNESS FOR A PARTICULAR PURPOSE, AND NON-INFRINGEMENT OF ANY THIRD PARTY INTELLECTUAL PROPERTY RIGHTS.

TI SHALL NOT BE LIABLE FOR AND SHALL NOT DEFEND OR INDEMNIFY YOU AGAINST ANY CLAIM, INCLUDING BUT NOT LIMITED TO ANY INFRINGEMENT CLAIM THAT RELATES TO OR IS BASED ON ANY COMBINATION OF PRODUCTS EVEN IF DESCRIBED IN TI RESOURCES OR OTHERWISE. IN NO EVENT SHALL TI BE LIABLE FOR ANY ACTUAL, DIRECT, SPECIAL, COLLATERAL, INDIRECT, PUNITIVE, INCIDENTAL, CONSEQUENTIAL OR EXEMPLARY DAMAGES IN CONNECTION WITH OR ARISING OUT OF TI RESOURCES OR USE THEREOF, AND REGARDLESS OF WHETHER TI HAS BEEN ADVISED OF THE POSSIBILITY OF SUCH DAMAGES.

You agree to fully indemnify TI and its representatives against any damages, costs, losses, and/or liabilities arising out of your non-compliance with the terms and provisions of this Notice.

This Notice applies to TI Resources. Additional terms apply to the use and purchase of certain types of materials, TI products and services. These include; without limitation, TI's standard terms for semiconductor products (<http://www.ti.com/sc/docs/stdterms.htm>), [evaluation modules](#), and [samples](http://www.ti.com/sc/docs/sampterm.htm) (<http://www.ti.com/sc/docs/sampterm.htm>).

Mailing Address: Texas Instruments, Post Office Box 655303, Dallas, Texas 75265  
Copyright © 2017, Texas Instruments Incorporated