

Input Current Limit Solution for USB-Supplied Power System

Helen Chen

ABSTRACT

The maximum allowed output current from a USB rail is limited in a USB-powered system. A unit load is defined as 100 mA in USB 2.0. A device may draw a maximum of five unit loads (500 mA) from a port in USB 2.0. Most boost converters cannot limit input current to such a low value during start-up, especially in a high output capacitance application. This application note details an input current limit solution for a USB-powered system. With this solution, the designer can limit the input current well below the value set during start-up and normal operation conditions.

Contents

1	Introduction	2
2	Design Process	2
3	Conclusion	5

List of Figures

1	Schematic – Input Current Limit Solution.....	3
2	Start-Up Waveforms of V_{IN} , I_{IN} , V_{ADJ}	4
3	Start-Up Waveforms of V_{IN} , I_{IN} , V_{FB}	5

List of Tables

1	Performance Specification Summary	2
---	---	---

Trademarks

All trademarks are the property of their respective owners.

1 Introduction

In a USB-powered application, the maximum supplied current must be limited below the maximum output current capability of the USB port; if not, the USB voltage drops, perhaps even to zero, due to overcurrent protection. This application note details an input current limit solution for a USB-powered system and contains a circuit design, test result, schematic, and bill of materials (BOM).

2 Design Process

2.1 Specification

[Table 1](#) shows the specification of this application note. The maximum input current is limited below 200 mA during start-up and normal operation.

Table 1. Performance Specification Summary

SPECIFICATION	TEST CONDITIONS	MIN	TYP	MAX	UNIT
V_{IN}	—	4.75	5.00	5.25	V
I_{IN}	During start-up and normal operation	—	150	200	mA
V_{OUT}	$V_{IN} = 5\text{ V}$, 60-mF capacitive load	8.7	9.0	9.3	V

2.2 Schematic

[Figure 1](#) shows the schematic of the input current limit solution. The U1 TLV61046 is a 28-V output voltage boost converter with power diode and isolation switch. The U2 INA138 is a high-side measurement current shunt monitor. U3 is an operational amplifier.

Resistor R5 and diode D1 are connected from the input to the output side. These components are used to charge up the output capacitance because the output voltage must be equal to the input voltage before enabling the TLV61046 integrated circuit (IC). If the output voltage is not equal to the input voltage, the input current rises to an uncontrolled high value while the V_{OUT} charges up to the V_{IN} stage, especially in the big output capacitance application. Enable the TLV61046 IC after the V_{OUT} finishes charging up to V_{IN} through R5 and D1.

The input current immediately rises up to the input current limit point after the boost converter has been enabled. The output voltage of the INA138 V_{O_INA138} jumps high and D4 conducts. V_{ADJ} is equal to V_{O_INA138} . The FB pin voltage V_{FB} immediately rises up to V_{REF} . So, the input current is immediately regulated and is well limited below the setting value. When the output voltage charges up to the target point, the input current goes low and D4 stops conducting.

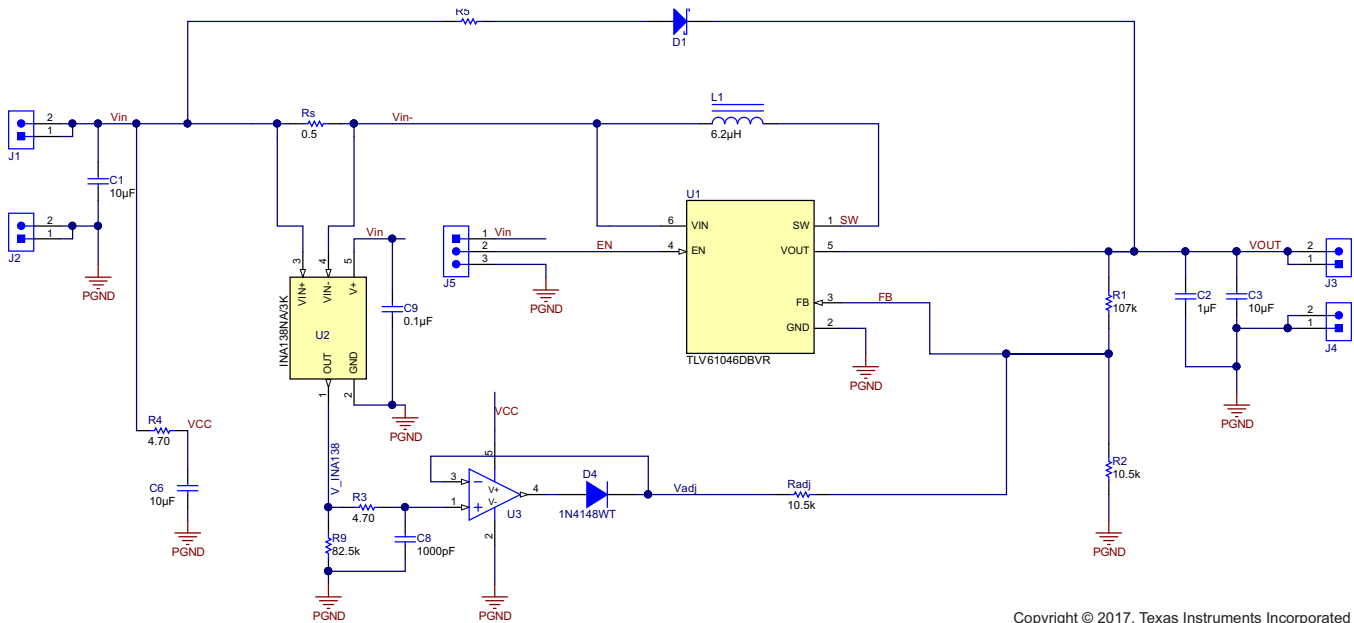


Figure 1. Schematic – Input Current Limit Solution

2.3 Component Selection

The maximum voltage drop across the precharge resistor R5 is 5 V, which happens at the $V_{IN} = 5\text{ V}$, $V_{OUT} = 0\text{ V}$ condition. So a 499- Ω , 0603 resistor is chosen in this application.

The maximum differential input voltage for the INA138 is 0.5 V and the recommended value is 0.1 V; therefore, choose $R_S = 0.5\ \Omega$ in this application. When $I_{IN} = 0.2\text{ A}$, the sensed voltage is just 0.1 V.

The highest input current occurs when the TLV61046 is enabled. As Equation 1 shows, the initial output voltage is equal to:

$$V_{O_INI} = V_{IN} = 5\text{ V} \quad (1)$$

To effectively limit the input current during start-up, the superposition voltage at the FB pin must be equal to the feedback voltage V_{REF} at this time (see Equation 2).

$$V_{O_INI} \times \left(\frac{R_{P1}}{R_{P1} + R_1} \right) + V_{ADJ} \times \left(\frac{R_{P2}}{R_{P2} + R_{ADJ}} \right) = V_{REF} \quad (2)$$

where,

- $R_{ADJ} = 10.5\text{ k}\Omega$ initially,
- $R_{P1} = \frac{R_{ADJ} \times R_2}{R_{ADJ} + R_2}$, $R_{P2} = \frac{R_1 \times R_2}{R_1 + R_2}$,
- $V_{REF} = 0.807\text{ V}$.

Using the calculation from Equation 2 results in the following Equation 3:

$$V_{ADJ} = \frac{V_{REF} - V_{O_INI} \times \left(\frac{R_{P1}}{R_{P1} + R_1} \right)}{\frac{R_{P2}}{R_{P2} + R_{ADJ}}} \quad (3)$$

$V_{ADJ} = 1.203\text{ V}$; therefore, the output voltage of the INA138 device is also equal to 1.203 V.

Calculate Equation 4 using the specifications from the INA138 data sheet:

$$V_{O_INA138} = I_S \times R_S \times (200 \mu A/V) \times R_9 \tag{4}$$

Calculate R9 using the following formula in Equation 5:

$$R_9 = \frac{V_{O_INA138}}{I_S \times R_S \times (200 \mu A/V)} \tag{5}$$

where,

- $R_S = 0.5 \Omega$.

The designer must leave some margin during the theoretical calculation to limit the input current below 200 mA. When leaving a 25% margin, let $I_{IN} = 150 \text{ mA}$, then $R_9 = 82.5 \text{ k}\Omega$.

2.4 Test Result

Figure 2 and Figure 3 show the start-up waveforms of the V_{IN} , I_{IN} , V_{ADJ} , and V_{FB} pins with a 60-mF electrolytic capacitor at the output side.

The input current increases immediately when the IC is enabled. The voltage V_{ADJ} jumps up from 0.45 V to 1.2 V, which makes the V_{FB} immediately jump up to V_{REF} . So the TLV61046 device can regulate the input current immediately at the time in which it is enabled. Thus the input current is well limited below 200 mA during start-up at the big output capacitance condition.

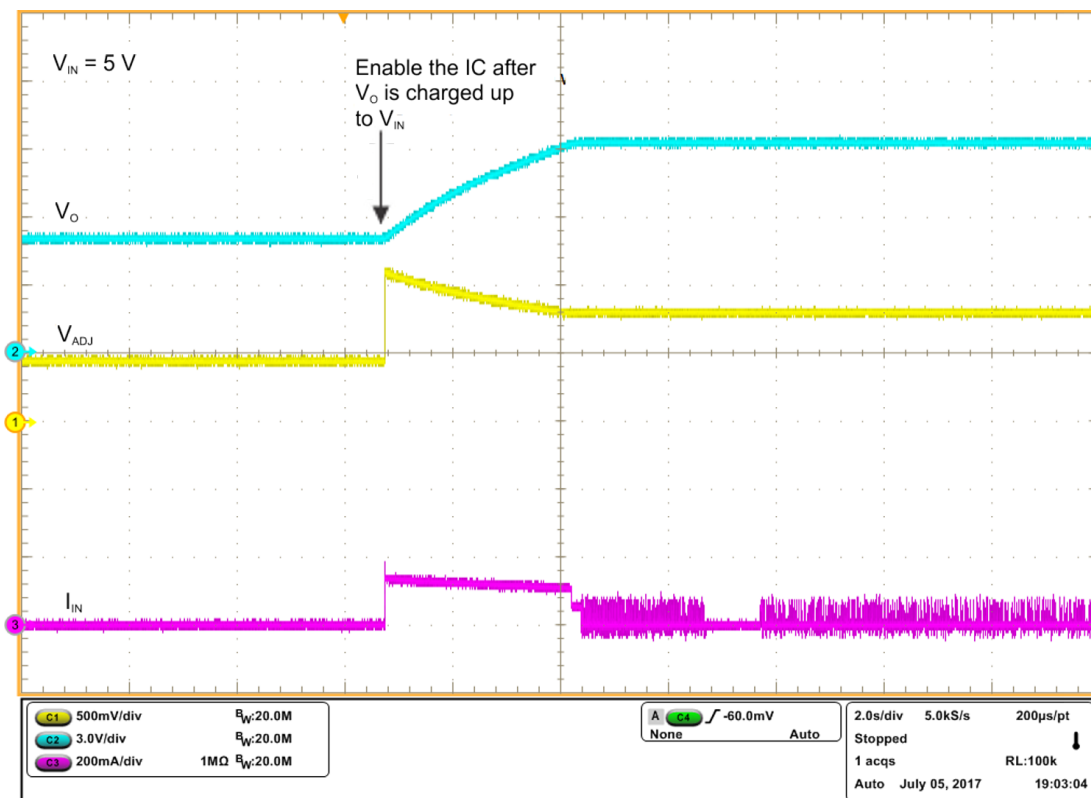


Figure 2. Start-Up Waveforms of V_{IN} , I_{IN} , V_{ADJ}

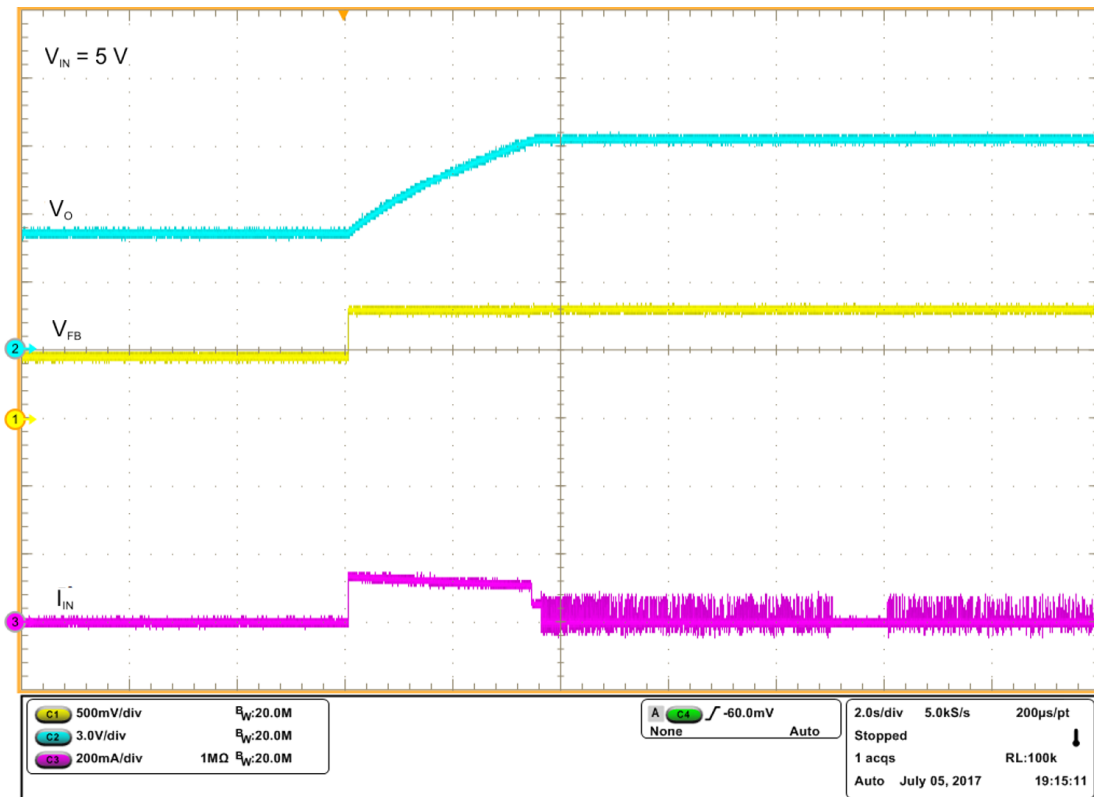


Figure 3. Start-Up Waveforms of V_{IN} , I_{IN} , V_{FB}

3 Conclusion

This application note describes an input current limit solution for the boost converter TLV61046 in a USB-powered application. This solution is realized by a high-side measurement current shunt monitor INA138 and a single low-voltage rail-to-rail output operational amplifier LMV321. The input current can be well limited below the setting point after start-up. When the output voltage rises up to the target value, the input current goes low and the current limit circuit stops working and ceases to affect the normal operation.

IMPORTANT NOTICE FOR TI DESIGN INFORMATION AND RESOURCES

Texas Instruments Incorporated ("TI") technical, application or other design advice, services or information, including, but not limited to, reference designs and materials relating to evaluation modules, (collectively, "TI Resources") are intended to assist designers who are developing applications that incorporate TI products; by downloading, accessing or using any particular TI Resource in any way, you (individually or, if you are acting on behalf of a company, your company) agree to use it solely for this purpose and subject to the terms of this Notice.

TI's provision of TI Resources does not expand or otherwise alter TI's applicable published warranties or warranty disclaimers for TI products, and no additional obligations or liabilities arise from TI providing such TI Resources. TI reserves the right to make corrections, enhancements, improvements and other changes to its TI Resources.

You understand and agree that you remain responsible for using your independent analysis, evaluation and judgment in designing your applications and that you have full and exclusive responsibility to assure the safety of your applications and compliance of your applications (and of all TI products used in or for your applications) with all applicable regulations, laws and other applicable requirements. You represent that, with respect to your applications, you have all the necessary expertise to create and implement safeguards that (1) anticipate dangerous consequences of failures, (2) monitor failures and their consequences, and (3) lessen the likelihood of failures that might cause harm and take appropriate actions. You agree that prior to using or distributing any applications that include TI products, you will thoroughly test such applications and the functionality of such TI products as used in such applications. TI has not conducted any testing other than that specifically described in the published documentation for a particular TI Resource.

You are authorized to use, copy and modify any individual TI Resource only in connection with the development of applications that include the TI product(s) identified in such TI Resource. NO OTHER LICENSE, EXPRESS OR IMPLIED, BY ESTOPPEL OR OTHERWISE TO ANY OTHER TI INTELLECTUAL PROPERTY RIGHT, AND NO LICENSE TO ANY TECHNOLOGY OR INTELLECTUAL PROPERTY RIGHT OF TI OR ANY THIRD PARTY IS GRANTED HEREIN, including but not limited to any patent right, copyright, mask work right, or other intellectual property right relating to any combination, machine, or process in which TI products or services are used. Information regarding or referencing third-party products or services does not constitute a license to use such products or services, or a warranty or endorsement thereof. Use of TI Resources may require a license from a third party under the patents or other intellectual property of the third party, or a license from TI under the patents or other intellectual property of TI.

TI RESOURCES ARE PROVIDED "AS IS" AND WITH ALL FAULTS. TI DISCLAIMS ALL OTHER WARRANTIES OR REPRESENTATIONS, EXPRESS OR IMPLIED, REGARDING TI RESOURCES OR USE THEREOF, INCLUDING BUT NOT LIMITED TO ACCURACY OR COMPLETENESS, TITLE, ANY EPIDEMIC FAILURE WARRANTY AND ANY IMPLIED WARRANTIES OF MERCHANTABILITY, FITNESS FOR A PARTICULAR PURPOSE, AND NON-INFRINGEMENT OF ANY THIRD PARTY INTELLECTUAL PROPERTY RIGHTS.

TI SHALL NOT BE LIABLE FOR AND SHALL NOT DEFEND OR INDEMNIFY YOU AGAINST ANY CLAIM, INCLUDING BUT NOT LIMITED TO ANY INFRINGEMENT CLAIM THAT RELATES TO OR IS BASED ON ANY COMBINATION OF PRODUCTS EVEN IF DESCRIBED IN TI RESOURCES OR OTHERWISE. IN NO EVENT SHALL TI BE LIABLE FOR ANY ACTUAL, DIRECT, SPECIAL, COLLATERAL, INDIRECT, PUNITIVE, INCIDENTAL, CONSEQUENTIAL OR EXEMPLARY DAMAGES IN CONNECTION WITH OR ARISING OUT OF TI RESOURCES OR USE THEREOF, AND REGARDLESS OF WHETHER TI HAS BEEN ADVISED OF THE POSSIBILITY OF SUCH DAMAGES.

You agree to fully indemnify TI and its representatives against any damages, costs, losses, and/or liabilities arising out of your non-compliance with the terms and provisions of this Notice.

This Notice applies to TI Resources. Additional terms apply to the use and purchase of certain types of materials, TI products and services. These include; without limitation, TI's standard terms for semiconductor products (<http://www.ti.com/sc/docs/stdterms.htm>), [evaluation modules](#), and [samples](http://www.ti.com/sc/docs/sampterm.htm) (<http://www.ti.com/sc/docs/sampterm.htm>).

Mailing Address: Texas Instruments, Post Office Box 655303, Dallas, Texas 75265
Copyright © 2017, Texas Instruments Incorporated