

# **Layout Guide for the DRV832x Family of Three-Phase Smart Gate Drivers**

## **ABSTRACT**

Effective printed circuit board (PCB) layout is required to achieve the best performance for high-power, high-speed, or low-noise systems. Issues with PCB layout can cause EMI or EMC radiation, additional heat, noise coupling, device faults, and a host of other possible problems on the board. The DRV832x family of Smart Gate Drivers is no exception to this rule, and, although the device is designed to operate in the harshest conditions, knowledge on the best way to layout the PCB can lead to maximizing the effectiveness of the driver. This document describes two-layer PCB layout with the DRV832x devices, however these principles also apply to boards with more than two layers. This application report can also be applied to the DRV8304 device, which has the same pin out as DRV8323. However, some external component values may be different.

For additional layout examples, refer to the following resources:

- [BOOSTXL-DRV8320S EVM](#) or [BOOSTXL-DRV8320H EVM](#)
- [BOOSTXL-DRV8323RS EVM](#) or [BOOSTXL-DRV8323RH EVM](#)
- [TIDA-00774](#)
- [TIDA-01485](#)
- [TIDA-01516](#)

## **Contents**

1	DRV832x Family Introduction .....	2
2	Proper Device Grounding.....	3
3	Heat Sinking .....	5
4	Traces and Vias.....	5
5	DRV832x Base External Components .....	5
6	Gate Driver Layout.....	7
	6.1 VDRAIN Pin .....	7
	6.2 GHx Pins .....	7
	6.3 SHx Pins .....	8
	6.4 GLx Pins .....	8
	6.5 SLx or SPx Pins .....	8
7	Half-H Bridge Layout .....	8
	7.1 High-Side MOSFET ( $Q_{HS}$ ).....	8
	7.2 Low-Side MOSFET ( $Q_{LS}$ ) .....	8
	7.3 Decoupling Capacitor ( $C_{BYPASS}$ ) .....	8
	7.4 Sense Resistor ( $R_{SENSE}$ ) .....	8
8	Sense Amplifier Layout .....	10
9	DC-DC Buck Regulator Layout.....	11
	9.1 Small Current Loops .....	12
	9.2 Continuous Ground Plane.....	12
	9.3 Feedback Path.....	13
	9.4 Split Ground Plane .....	13

## **List of Figures**

1	DRV832x Device Legend .....	2
---	-----------------------------	---

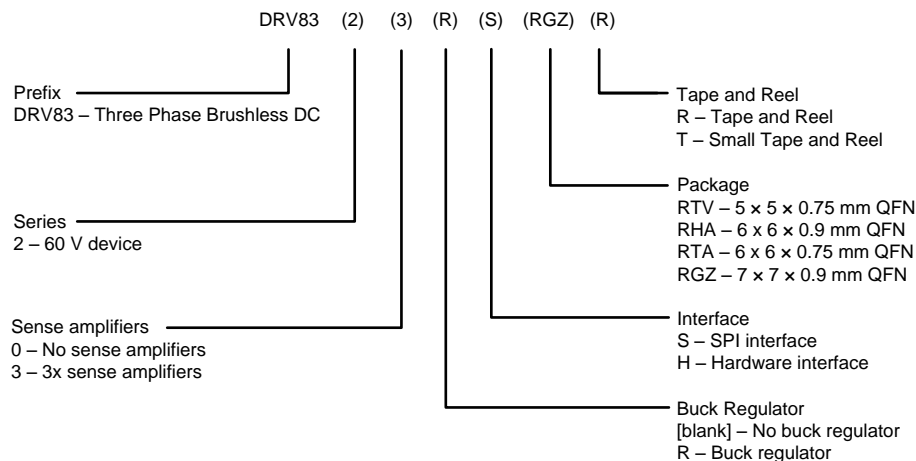
2	DRV8320 Common Ground Plane .....	3
3	DRV8320 Split Ground Plane .....	3
4	DRV8320R Common Ground Plane .....	3
5	DRV8320R Split Ground Plane .....	3
6	DRV8323 Common Ground Plane .....	3
7	DRV8323 Split Ground Plane .....	3
8	DRV8323R Common Ground Plane .....	4
9	DRV8323R Split Ground Plane .....	4
10	DRV8320 Base External Component Layout .....	6
11	DRV8320R Base External Component Layout .....	6
12	DRV8323 Base External Component Layout .....	6
13	DRV8323R Base External Component Layout .....	6
14	Half-H Bridge Layout .....	9
15	Half-H Bridge Current Loop .....	9
16	DRV8323 Sense Amplifier Layout .....	10
17	DRV8323R Sense Amplifier Layout .....	10
18	Shielding on a Split-Supply System .....	11
19	DRV8320R Buck Regulator Layout .....	11
20	DRV8323R Buck Regulator Layout .....	11
21	Small Current Loop Layout .....	12

## Trademarks

SIMPLE SWITCHER is a trademark of Texas Instruments.  
All other trademarks are the property of their respective owners.

## 1 DRV832x Family Introduction

The DRV832x family of Smart Gate Drivers includes several device variants that integrate optional sense amplifiers, a DC/DC buck regulator, or both. The packages for this family are QFN-type, ranging from 5 × 5 mm and 32 pins, to 7 × 7 mm and 48 pins. For more information on the DRV832x family of devices, refer to the [DRV832x 6 to 60-V Three-Phase Smart Gate Driver data sheet](#).

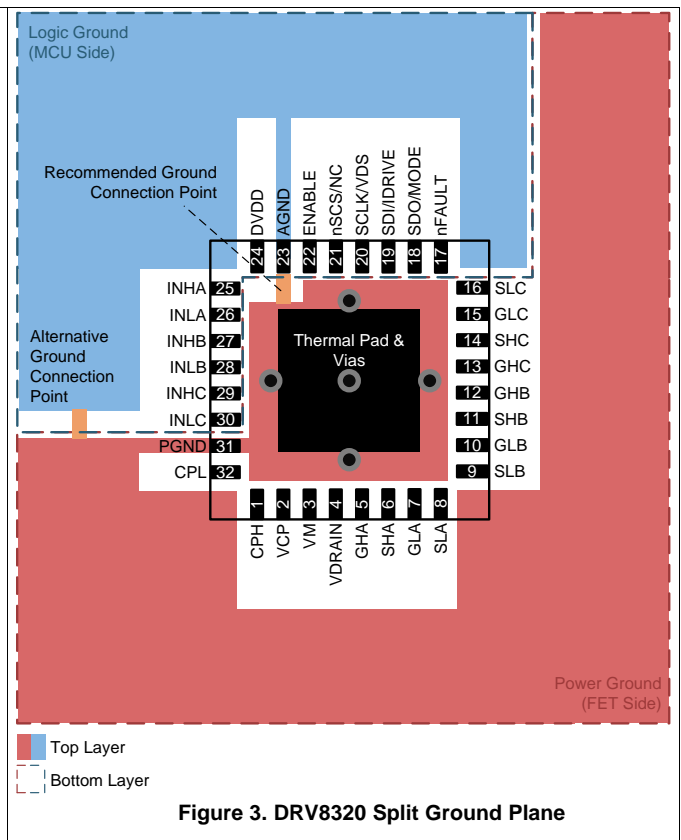
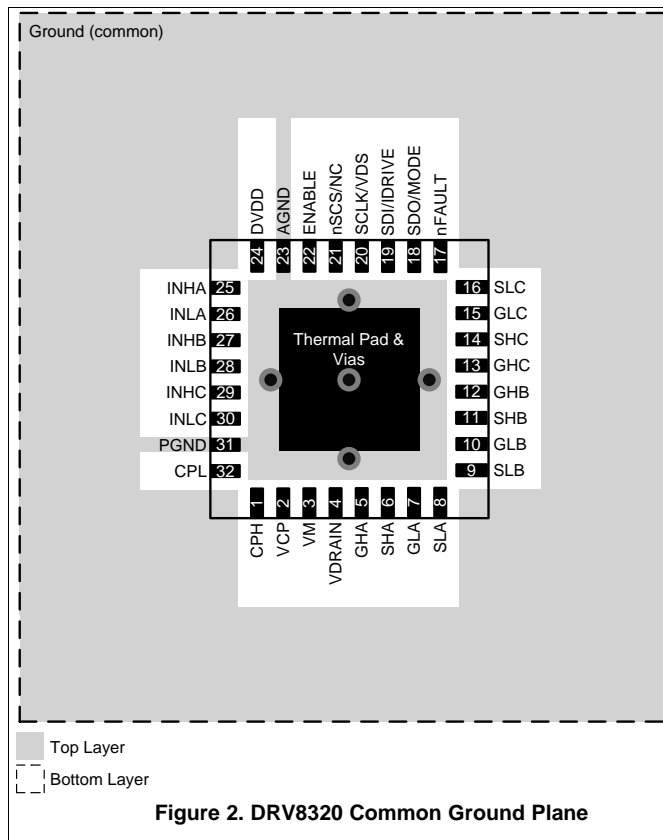


**Figure 1. DRV832x Device Legend**

## 2 Proper Device Grounding

Typical systems using the DRV832x device have one ground plane encompassing the system. In common ground plane systems, all ground pins should be connected directly to the thermal pad and to the ground plane. Typically, a mostly solid ground plane is included on the bottom layer (or some inner layer for multi-layer boards) underneath the DRV832x device, and the thermal pad is connected to the solid ground plane using vias. Thermal reliefs should never be used to attach thermal pads to the PCB.

In some systems, splitting the power and logic ground planes is required to isolate noise from power switching from the logic and microcontroller (MCU). In this case more care must be used when connecting the pins of the DRV832x device to the correct ground plane (either power or logic). The two ground planes must be connected at a place close enough to the DRV832x device. The thermal pad on the DRV832x device is connected to the power ground plane in this case, and TI recommends having a power ground that fills the area directly beneath the component on a different layer to let the vias from the thermal pad connect.



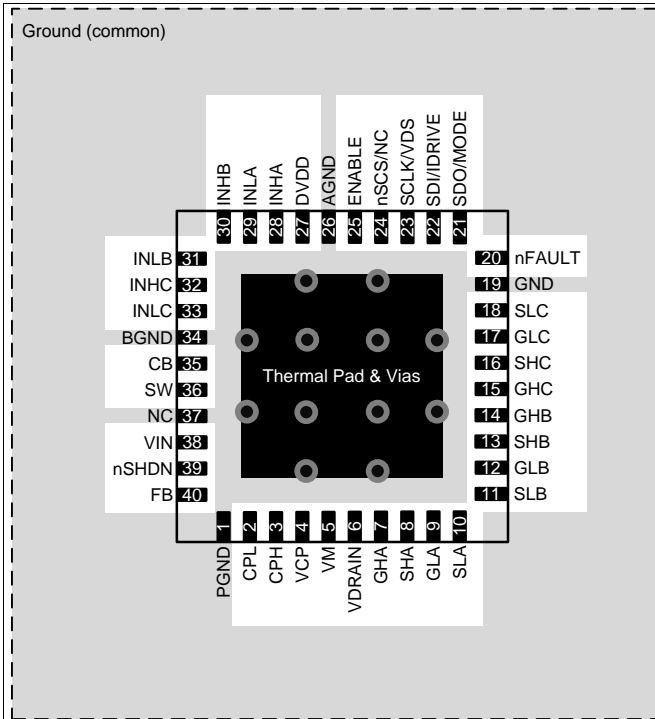


Figure 4. DRV8320R Common Ground Plane

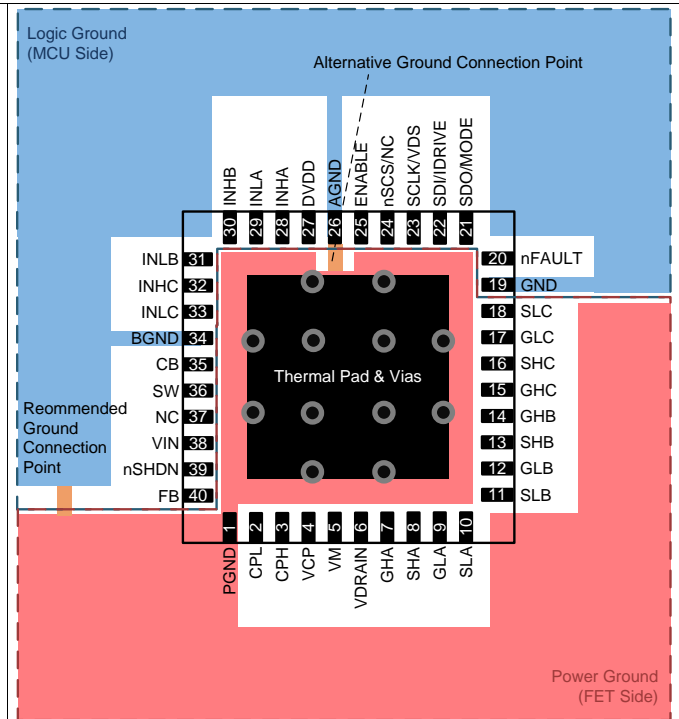


Figure 5. DRV8320R Split Ground Plane

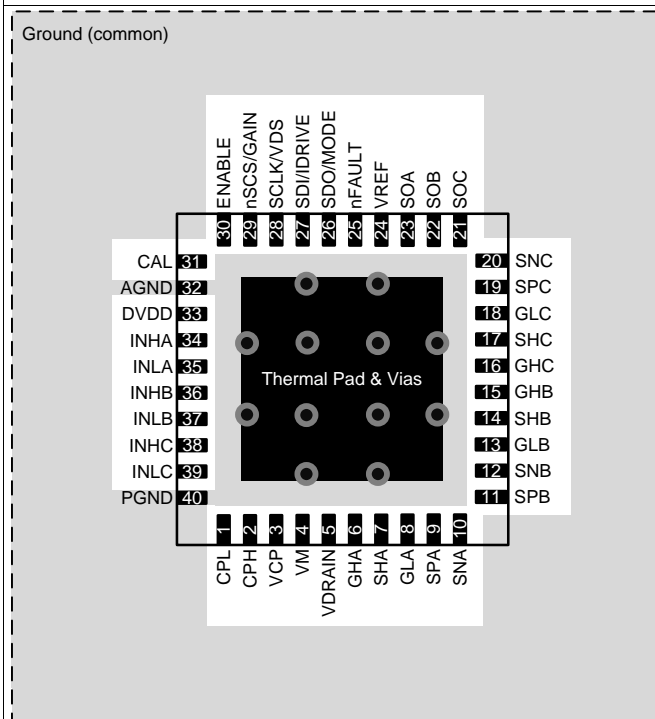


Figure 6. DRV8323 Common Ground Plane

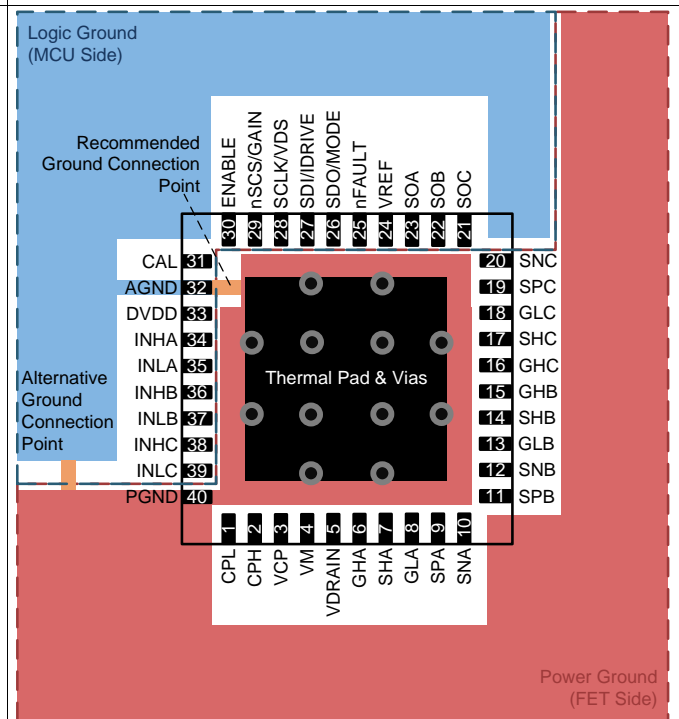
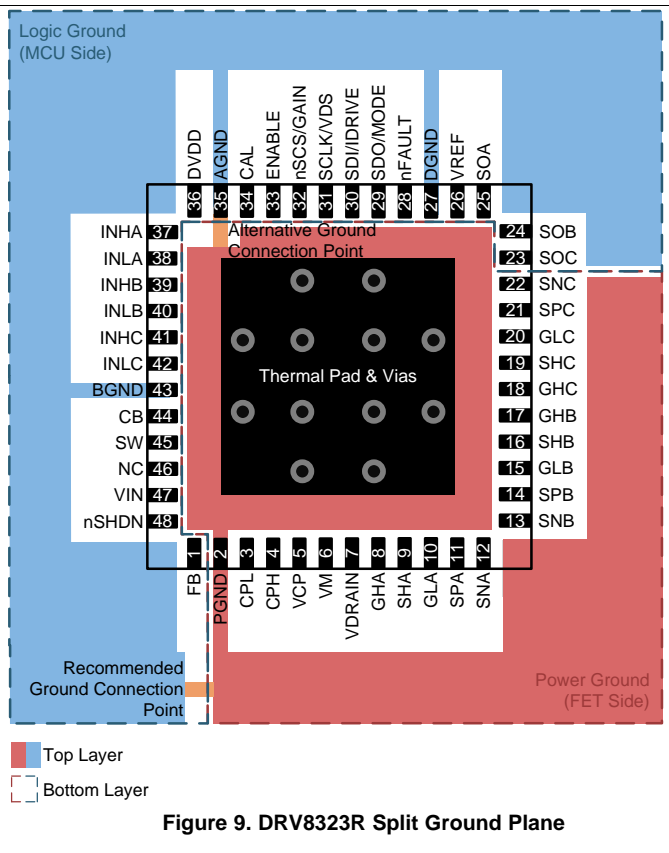
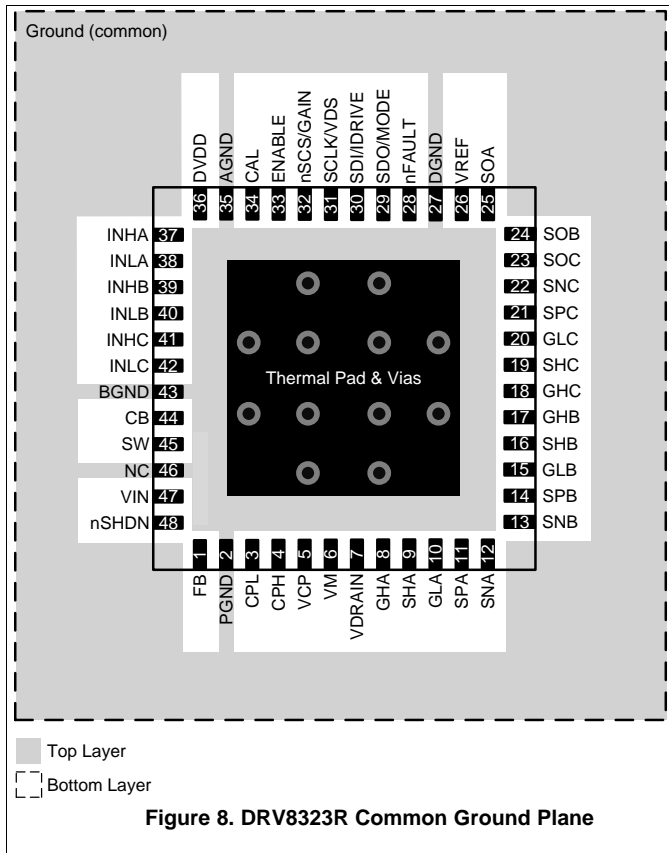


Figure 7. DRV8323 Split Ground Plane



### 3 Heat Sinking

The DRV832x device is a gate driver and therefore it is not the primary power generator in the system. However, the gate driver and additional DC/DC buck regulator dissipate power while in operation. This power is removed from the device through the thermal pad into the copper of the ground plane on the PCB. Adequate PCB area for the ground plane should be a priority in layout because a constricted or isolated ground plane will cause the DRV832x device to operate with a temperature that is hotter than required. As mentioned previously, thermal reliefs should never be used on thermal pads.

### 4 Traces and Vias

In general, all traces should be as short and thick as possible. Typically, rules such as 15 mils (0.381mm) per Ampere of current are used to minimize the parasitic inductance and resistance of board components. Long, skinny traces result in a large inductor effect and can even act as an antenna to radiate EMI. Vias are usually an inductive element and follow a general rule that each via is capable of at most 200 mA. A good practice is to avoid vias wherever possible, especially in high-speed switching or power elements. This practice usually leads to more traces on the top layer of the board, which in turn allows for a more solid ground plane on the bottom layer. Another good practice is to make sure the diameter of the via is at least the width of the incoming trace.

### 5 DRV832x Base External Components

The DRV832x basic features include a charge pump to power the high-side N-channel MOSFETs as well as DVDD, a 3.3-V low-dropout (LDO) regulator that powers internal digital circuits but can also be used to power other circuits externally (up to 30 mA). The external components for these features are defined as follows:

**C<sub>VM</sub>** — The C<sub>VM</sub> capacitor is the supply bypass capacitor which should be a supply-rated X5R or X7R type, 0.1-μF ceramic capacitor connected from the VM pin to the PGND pin.

$C_{VCP}$  — The  $C_{VCP}$  capacitor is the charge pump bucket capacitor which should be a supply-rated X5R or X7R type, 47-nF ceramic capacitor connected from the CPH pin to the CPL pin.

$C_{SW}$  — The  $C_{SW}$  capacitor is the charge pump storage capacitor which should be a 16-V, X5R or X7R type, 1- $\mu$ F ceramic capacitor connected from the VCP pin to the VM pin.

$C_{DVDD}$  — The  $C_{DVDD}$  capacitor is the LDO bypass capacitor which should be a 6.3-V, X5R or X7R type, 1- $\mu$ F ceramic capacitor connected from the DVDD pin to the AGND pin.

These components should be placed as close as possible to the pins without any long traces or ground loops.

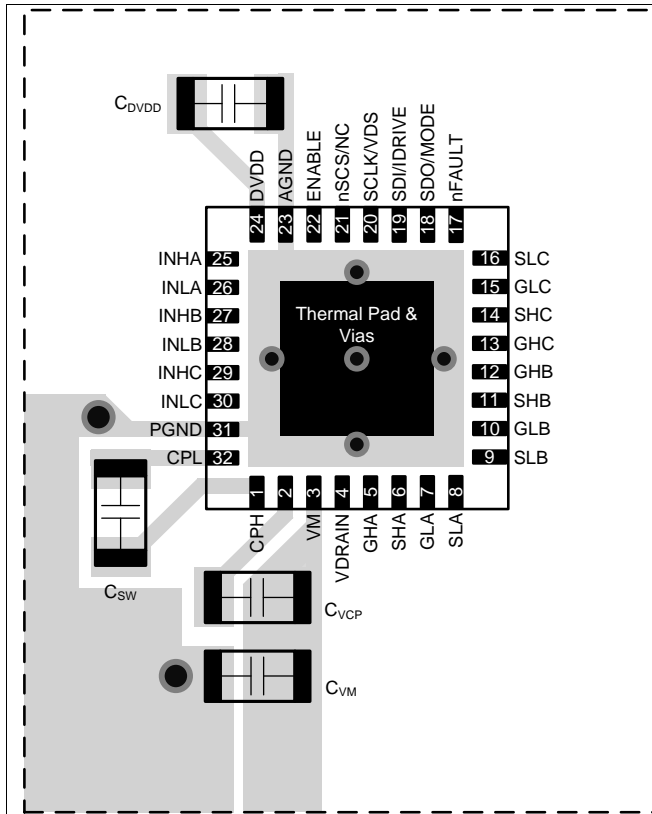


Figure 10. DRV8320 Base External Component Layout

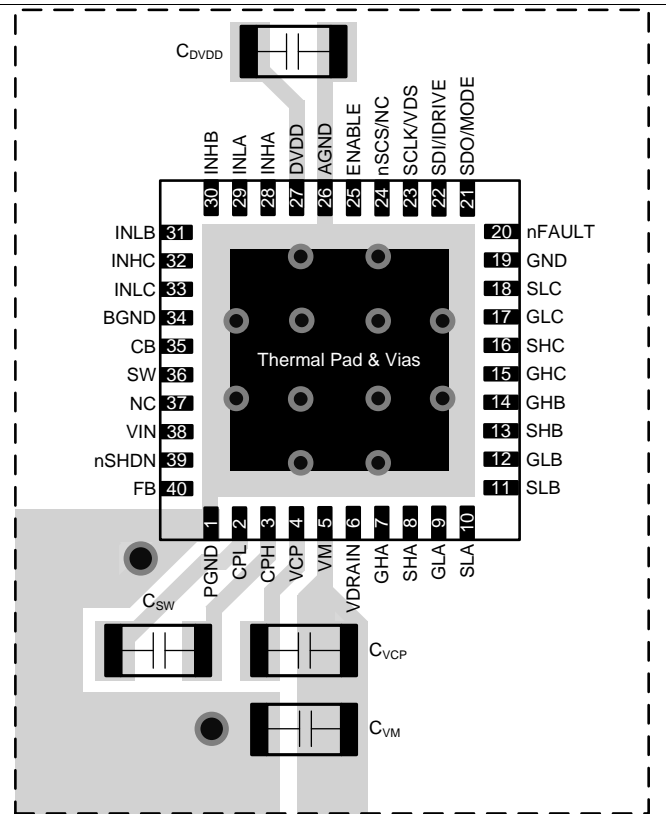
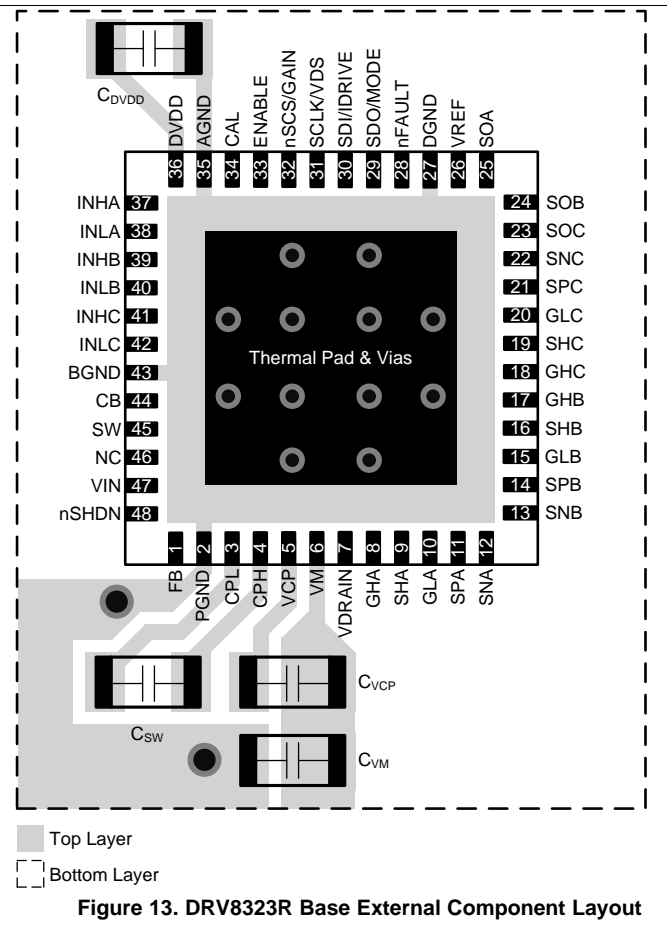
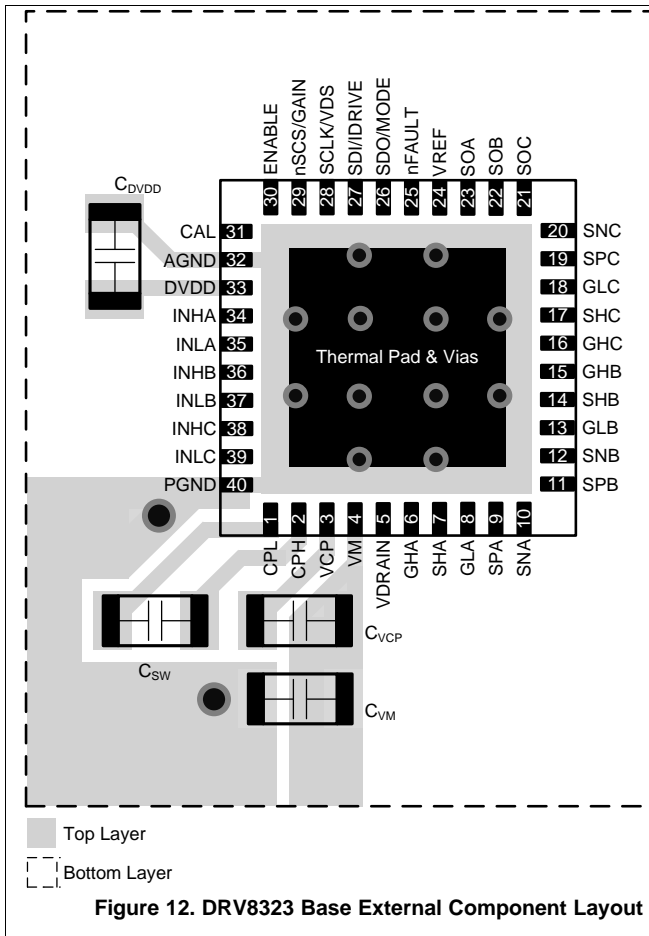


Figure 11. DRV8320R Base External Component Layout



## 6 Gate Driver Layout

The gate driver pins on the DRV832x family of devices are the VDRAIN, GHx, SHx, GLx, and SLx or SPx pins. The following sections describe these pins.

### 6.1 VDRAIN Pin

The VDRAIN pin is used to sense the high-side MOSFET drain voltage, which is the supply to the external MOSFETs, for overcurrent VDS sensing. The DRV832x device monitors the drain-to-source voltage across the external MOSFETs to determine if an overcurrent event occurs. Typically, the VDRAIN pin is on the same net as the VM pin on the DRV832x device. In some boards, some distance between the DRV832x and the FETs can exist, and traces may add inductance or voltage drops to affect the accuracy of this overcurrent protection. The device has a dedicated pin so that a Kelvin connection can be made to the high-side FETs. This connection allows the VDRAIN pin to be routed as close to the external MOSFET drains as possible without interference from other sources. Net Ties are components that can be used in schematics to make sure that the Kelvin connection is maintained.

### 6.2 GHx Pins

The GHx pins are the high-side gate and should be connected directly to the gate pin of the high-side MOSFETs. These traces will conduct the source or sink current into and out of the external MOSFET gate. TI recommends that a gate signal stays in the same layer when possible to avoid vias and maintain at least a 20 mil wide trace.

### 6.3 SHx Pins

The SHx pins are the high-side source, also called the *output* or the *phase node*. These pins route to the connection between the high-side MOSFET source and low-side MOSFET drain, which is the same node that is connected to the brushless-DC motor. This pin is used internally for overcurrent VDS sensing of the high-side (VDRAIN to SHx) and low-side (SHx to SLx or SPx) MOSFETS. The SHx pin should be routed as close to the low-side MOSFET drain and high-side MOSFET source as possible.

### 6.4 GLx Pins

The GLx pins are the low-side gate, and should be connected directly to the gate pin of the low-side MOSFETs. These traces will conduct the source or sink current into and out of the external MOSFET gate. TI recommends that a gate signal stays in the same layer when possible to avoid vias and maintain at least a 20 mil wide trace.

### 6.5 SLx or SPx Pins

On the DRV8320 and DRV8320R devices, which have no integrated sense amplifiers, the SLx pin is the low-side MOSFET VDS monitor. The low-side MOSFET overcurrent monitor measures the voltage across the SHx to SLx pins. On the DRV8323 and DRV8323R devices, the SLx pin is replaced by the SPx pin. The SPx pin is actually a sense amplifier input pin, however the functionality of the low-side VDS monitor is included on the SPx pin as well. On the DRV832x devices with sense amplifiers the low-side MOSFET overcurrent monitor measures the voltage across SHx to SPx. These signals should be routed as a differential for a more accurate measurement.

## 7 Half-H Bridge Layout

The DRV832x device interfaces with the external MOSFETs in a half-H configuration. The half-H bridge has two N-channel MOSFETs (high-side and low-side) as well as any decoupling capacitor and (usually) a sense resistor.

### 7.1 High-Side MOSFET ( $Q_{HS}$ )

The  $Q_{HS}$  component is connected to the supply voltage (on the drain), the motor (on the source), and the DRV832x device (on the gate). Do not use thermal relief on any pads of this component. The GHx pin of the DRV832x device should be routed to the gate of  $Q_{HS}$  with as short of a trace as possible.

### 7.2 Low-Side MOSFET ( $Q_{LS}$ )

The  $Q_{LS}$  component is connected to the motor (on the drain), ground or the sense resistor (on the source), and the DRV832x device (on the gate). Do not use thermal relief on any pads of this component. The GLx pin of the DRV832x device should be routed to the gate of  $Q_{LS}$  with as short of a trace as possible.

### 7.3 Decoupling Capacitor ( $C_{BYPASS}$ )

The  $C_{BYPASS}$  component is connected between the drain of the high-side MOSFET and the source of the low-side MOSFET. This component supplies current to the half-H bridge during fast switching. Do not use thermal relief on any pads of this component.

### 7.4 Sense Resistor ( $R_{SENSE}$ )

The  $R_{SENSE}$  component (if present) is connected between the low-side MOSFET source and power ground. The SPx and SNx pins are connected to the terminals of the sense resistor to amplify and measure the voltage across the resistor when current is flowing. The SPx and SNx pins must be routed as independent traces directly to the terminals of the sense resistor. Do not use thermal relief on the sense resistor terminals because it can cause large voltage spikes because of increased parasitic inductance.



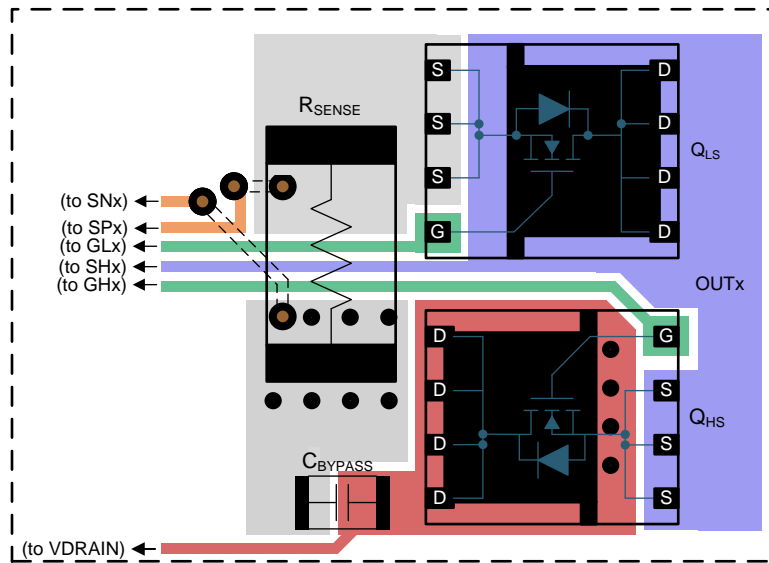


Figure 14. Half-H Bridge Layout

**NOTE:** The VDRAIN pin should be a unique connection to the supply close to the external high-side MOSFET drain which ensures best operation of the VDS overcurrent monitors. Similarly, the SHx pin should be routed to the connection between the high-side MOSFET source and low-side MOSFET drain as an independent trace.

The following path should have a minimal length:  $GND-C_{BYPASS}-VM-Q_{HS}-OUT_x-Q_{LS}-R_{SENSE}-GND$ . This path is the high-current path in the system and all traces in this loop should have traces sized to carry the motor current (with additional margin).

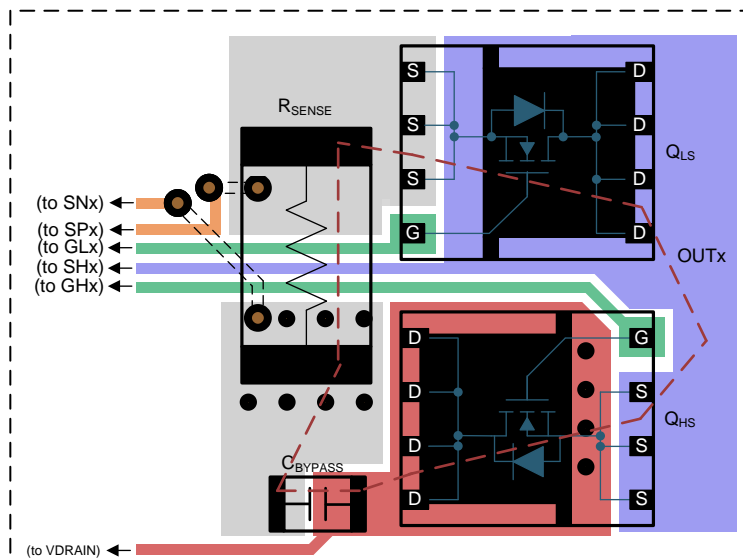


Figure 15. Half-H Bridge Current Loop

## 8 Sense Amplifier Layout

The DRV8323 and DRV8323R devices contain three current sense amplifiers which are used with the external current sense resistors to measure the current in each winding of the motor. The SPx and SNx pins are the sense amplifier inputs and are routed directly across the sense resistor. The SOx pin is the sense amplifier output. The VREF pin is a voltage input which sets the range of the sense amplifier output and sets the bias of the amplifier output at VREF/2. The VREF pin requires one ceramic bypass capacitor, a VREF-rated X5R to X7R type, 0.1- $\mu$ F ceramic capacitor from the VREF pin to either the AGND (on DRV8323) or DGND (on DRV8323R) pin.

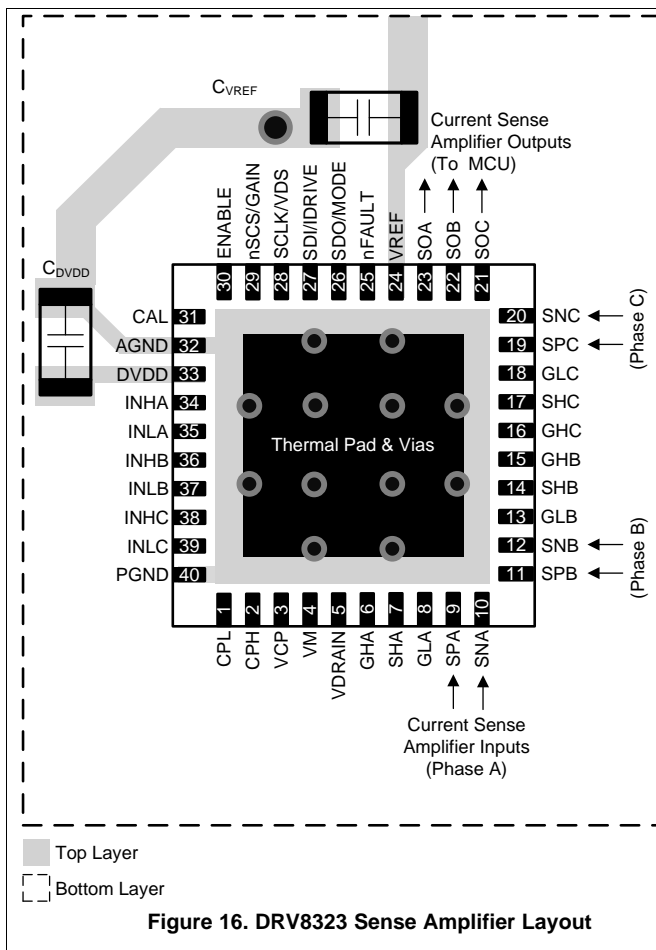


Figure 16. DRV8323 Sense Amplifier Layout

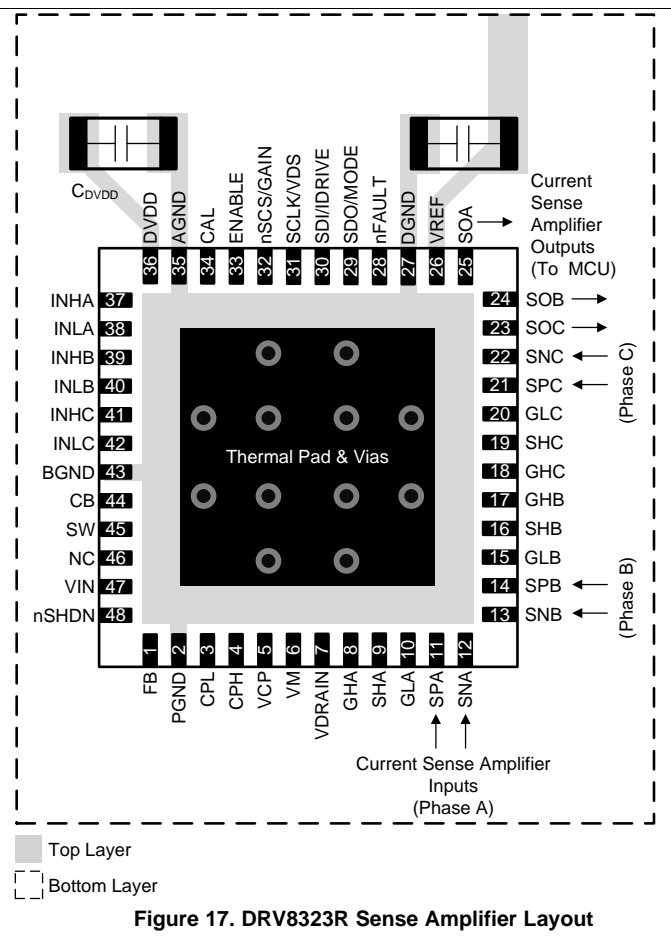


Figure 17. DRV8323R Sense Amplifier Layout

Occasionally, designers want to *shield* traces by surrounding the traces with additional ground traces. If a split supply is used, the SPx and SNx pins should exist in the power ground domain because they are connected to the power stage. Any trace shielding should be done using the power ground. The VREF and SOx pins should be on the logic ground domain, and shielding should be done using the logic ground.

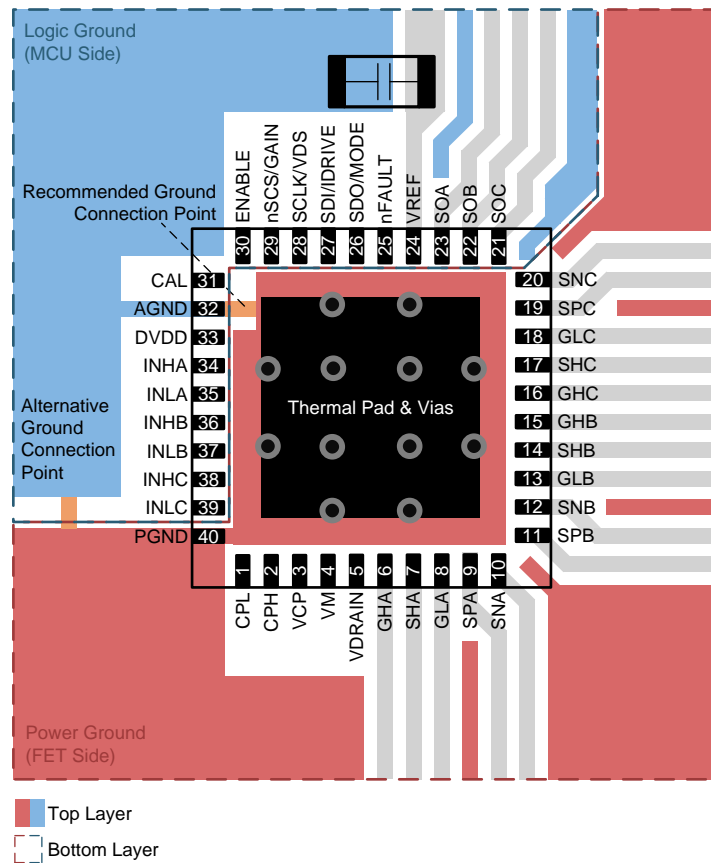


Figure 18. Shielding on a Split-Supply System

## 9 DC-DC Buck Regulator Layout

For best practices on layout of switching power supplies, refer to the following:

- Texas Instruments, [AN-1149 Layout Guidelines for Switching Power Supplies](#) application report
- Texas Instruments, [LMR16006 SIMPLE SWITCHER™ 60 V 0.6 A Buck Regulators With High Efficiency ECO Mode](#) data sheet

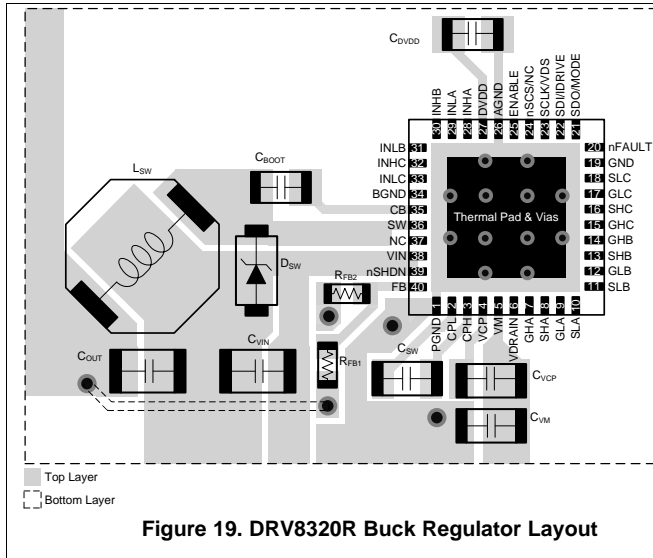


Figure 19. DRV8320R Buck Regulator Layout

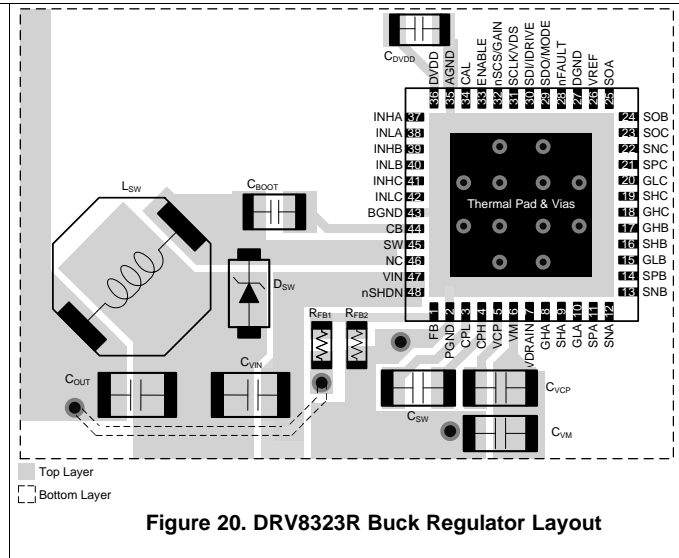


Figure 20. DRV8323R Buck Regulator Layout

The following sections describe some specific concerns regarding the DC-DC regulator present on the DRV8320R and DRV8323R devices.

### 9.1 Small Current Loops

A DC/DC system has two key current loops. The primary loop is GND-D<sub>SW</sub>-SW-L<sub>SW</sub>-OUT-C<sub>OUT</sub>-GND, and the secondary loop is GND-C<sub>VIN</sub>-VIN-SW-L<sub>SW</sub>-OUT-C<sub>OUT</sub>-GND. Make sure these paths are as small as possible.

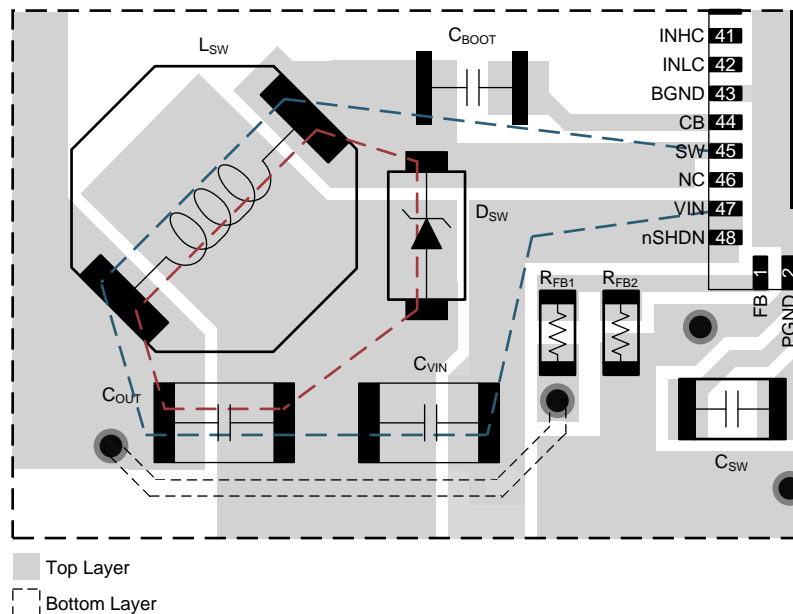


Figure 21. Small Current Loop Layout

### 9.2 Continuous Ground Plane

Underneath the two current loops mentioned previously, make sure a solid ground plane exists that is not cut by traces. Routing traces around these loops is more efficient than routing straight through them (see [Section 9.3](#)).

### 9.3 Feedback Path

The FB pin uses the feedback voltage to control the output of the DC/DC regulator. A resistor divider (RFB1, RFB2) is tapped from the output and fed into the FB pin. Make sure that the resistor divider is placed as close to the FB pin as possible. If the resistor divider is far away from the pin, the FB trace may pick up extra noise because it is high impedance. Another consideration is routing the DC/DC output voltage back to the resistor divider. Make sure not to interrupt the ground plane underneath the current loops previously mentioned.

### 9.4 Split Ground Plane

The BGND pin is actually a very-low current node. The majority of the current into or out of the ground in the system is sourced through the  $D_{SW}$  component or from the  $C_{OUT}$  and  $C_{VIN}$  capacitors. When the logic ground and power ground are split, the DC/DC buck regulator normally acts as the interface between the two domains, providing a low voltage logic supply in the logic domain. One strategy to have better noise immunity is to have BGND on the logic ground, as well as the ground reference for the resistor divider into the FB pin and  $C_{OUT}$  capacitor. The power ground can be connected to the  $D_{SW}$  diode and  $C_{VIN}$  capacitor. If the grounds are split it is critical to have the ground connection point as close to the  $C_{VIN}$  and  $C_{OUT}$  capacitors as possible.

## IMPORTANT NOTICE FOR TI DESIGN INFORMATION AND RESOURCES

Texas Instruments Incorporated ("TI") technical, application or other design advice, services or information, including, but not limited to, reference designs and materials relating to evaluation modules, (collectively, "TI Resources") are intended to assist designers who are developing applications that incorporate TI products; by downloading, accessing or using any particular TI Resource in any way, you (individually or, if you are acting on behalf of a company, your company) agree to use it solely for this purpose and subject to the terms of this Notice.

TI's provision of TI Resources does not expand or otherwise alter TI's applicable published warranties or warranty disclaimers for TI products, and no additional obligations or liabilities arise from TI providing such TI Resources. TI reserves the right to make corrections, enhancements, improvements and other changes to its TI Resources.

You understand and agree that you remain responsible for using your independent analysis, evaluation and judgment in designing your applications and that you have full and exclusive responsibility to assure the safety of your applications and compliance of your applications (and of all TI products used in or for your applications) with all applicable regulations, laws and other applicable requirements. You represent that, with respect to your applications, you have all the necessary expertise to create and implement safeguards that (1) anticipate dangerous consequences of failures, (2) monitor failures and their consequences, and (3) lessen the likelihood of failures that might cause harm and take appropriate actions. You agree that prior to using or distributing any applications that include TI products, you will thoroughly test such applications and the functionality of such TI products as used in such applications. TI has not conducted any testing other than that specifically described in the published documentation for a particular TI Resource.

You are authorized to use, copy and modify any individual TI Resource only in connection with the development of applications that include the TI product(s) identified in such TI Resource. NO OTHER LICENSE, EXPRESS OR IMPLIED, BY ESTOPPEL OR OTHERWISE TO ANY OTHER TI INTELLECTUAL PROPERTY RIGHT, AND NO LICENSE TO ANY TECHNOLOGY OR INTELLECTUAL PROPERTY RIGHT OF TI OR ANY THIRD PARTY IS GRANTED HEREIN, including but not limited to any patent right, copyright, mask work right, or other intellectual property right relating to any combination, machine, or process in which TI products or services are used. Information regarding or referencing third-party products or services does not constitute a license to use such products or services, or a warranty or endorsement thereof. Use of TI Resources may require a license from a third party under the patents or other intellectual property of the third party, or a license from TI under the patents or other intellectual property of TI.

TI RESOURCES ARE PROVIDED "AS IS" AND WITH ALL FAULTS. TI DISCLAIMS ALL OTHER WARRANTIES OR REPRESENTATIONS, EXPRESS OR IMPLIED, REGARDING TI RESOURCES OR USE THEREOF, INCLUDING BUT NOT LIMITED TO ACCURACY OR COMPLETENESS, TITLE, ANY EPIDEMIC FAILURE WARRANTY AND ANY IMPLIED WARRANTIES OF MERCHANTABILITY, FITNESS FOR A PARTICULAR PURPOSE, AND NON-INFRINGEMENT OF ANY THIRD PARTY INTELLECTUAL PROPERTY RIGHTS.

TI SHALL NOT BE LIABLE FOR AND SHALL NOT DEFEND OR INDEMNIFY YOU AGAINST ANY CLAIM, INCLUDING BUT NOT LIMITED TO ANY INFRINGEMENT CLAIM THAT RELATES TO OR IS BASED ON ANY COMBINATION OF PRODUCTS EVEN IF DESCRIBED IN TI RESOURCES OR OTHERWISE. IN NO EVENT SHALL TI BE LIABLE FOR ANY ACTUAL, DIRECT, SPECIAL, COLLATERAL, INDIRECT, PUNITIVE, INCIDENTAL, CONSEQUENTIAL OR EXEMPLARY DAMAGES IN CONNECTION WITH OR ARISING OUT OF TI RESOURCES OR USE THEREOF, AND REGARDLESS OF WHETHER TI HAS BEEN ADVISED OF THE POSSIBILITY OF SUCH DAMAGES.

You agree to fully indemnify TI and its representatives against any damages, costs, losses, and/or liabilities arising out of your non-compliance with the terms and provisions of this Notice.

This Notice applies to TI Resources. Additional terms apply to the use and purchase of certain types of materials, TI products and services. These include; without limitation, TI's standard terms for semiconductor products (<http://www.ti.com/sc/docs/stdterms.htm>), [evaluation modules](#), and [samples](http://www.ti.com/sc/docs/sampterm.htm) (<http://www.ti.com/sc/docs/sampterm.htm>).

Mailing Address: Texas Instruments, Post Office Box 655303, Dallas, Texas 75265  
Copyright © 2018, Texas Instruments Incorporated