

TPS92611-Q1 PCB Thermal Budget Design for Maximum Output Current

Kelly Bai

ABSTRACT

TPS92611-Q1 is a linear LED driver for automotive rear light so that the thermal performance is an important parameter. This application report uses TPS92611-Q1 for an example to outline the influences of different layout shapes on their thermal performance. This application report also provides a method about how to evaluate the maximum output current when junction temperature reaches 150°C during different ambient temperatures.

Contents

1	Typical Application Requirements	2
2	TPS92611-Q1 PCB Copper Area Deep Dive	2
3	Design Example for Thermal Budget.....	4
4	Summary	5
5	References	5

List of Figures

1	$R_{\theta JA}$ with Copper Area Varies.....	3
2	150°C Junction Temperature Power Consumption with Copper Area Varies	3
3	1cm*2cm Rectangle Layout	3
4	1.4cm*1.4cm Square Layout	3
5	Thermal Distribution of 1.7cm*1.7cm Board Below Room Temperature	5

List of Tables

1	Design Parameter	4
2	Design Results	4

Trademarks

All trademarks are the property of their respective owners.

1 Typical Application Requirements

1.1 Application Example

To avoid the impact of LED's and other functions like PWM dimming, the applications listed below:

- V_{SUPPLY} : 4V~25V
- V_{OUT} : 2V source meter instead of LEDs
- R_{SNS} : 0.5Ω ($I_{\text{OUT}} = 98\text{mV}/0.5\Omega = 196\text{mA}$)
- EN/PWM: Pull up
- DIAGEN: Pull down
- FAULT: Floating

1.2 Test Equipment

- Power supply
- Oscilloscope
- Multi-meter
- Thermal stream
- Temperature & humidity chamber

2 TPS92611-Q1 PCB Copper Area Deep Dive

2.1 Test Methods

Typically $R_{\theta\text{JA}}$ is given in the data sheet of the device, but in actual applications, 2-layer, 1 oz copper PCBs are common. Therefore, the actual $R_{\theta\text{JA}}$ value must be based on the specific PCB board when performing the calculation. In order to analysis different layout's impact, 6 different area and shape are designed as below:

- 1cm*1cm(1cm^2)
- 1cm*2cm(2cm^2 rectangle)
- 1.4cm*1.4cm(2cm^2 square)
- 1.7cm*1.7cm(3cm^2)
- 2cm*2cm(4cm^2)
- 2cm*3cm(6cm^2)

In the standard test procedure, the junction temperature must be measured. However, the junction temperature is hard to measure because of the package, so a simplified test method to measure the $R_{\theta\text{JA}}$ value is designed. The detailed test method is:

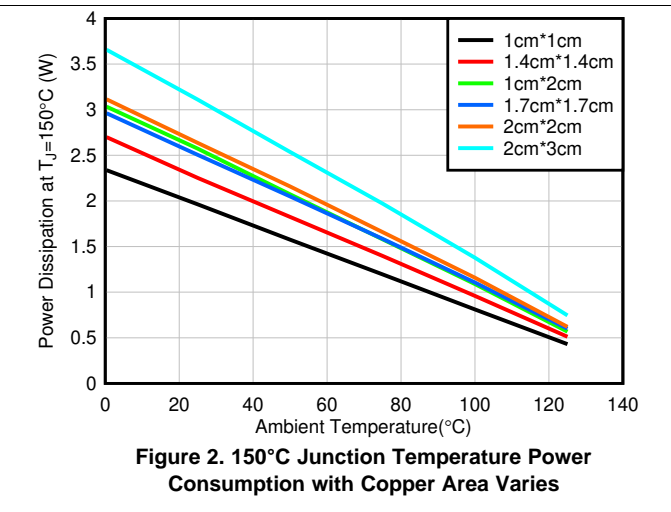
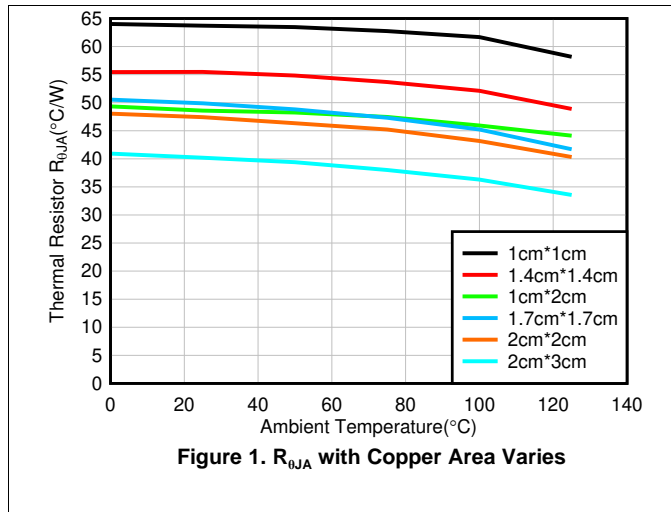
- Thermal shutdown temperature (T_{SD}) test:
 - Equipment: thermal stream, power supply, oscilloscope
 - Methods: Make output pin floating, which minimizes the output power dissipation on the TPS92611-Q1 device. Under this condition, the ambient temperature is almost the same with the junction temperature. Increase the ambient temperature slowly, and monitor the voltage of the V_{OUT} pin. When the voltage on the V_{OUT} pin changes from high to low, the device enters thermal shutdown mode. Because the ambient temperature is nearly the same with the junction temperature, T_{SD} is equal to the ambient temperature.
- Thermal shutdown power test:
 - Equipment: temperature and humidity chamber, source meter, power supply, oscilloscope
 - Methods: Use temperature and humidity chamber to create different ambient temperature (T_{A}), connect output pin with source meter(set to 2V load). Decrease the supply voltage slowly, and monitor the voltage of the V_{OUT} pin. When the voltage on the V_{OUT} pin doesn't change from high to low for more than 10 minutes, we consider this device is on the boundary of thermal shutdown. Record the corresponding supply voltage (V_{SUPPLY}), output current (I_{OUT})

- Calculate thermal resistor ($R_{\theta JA}$)

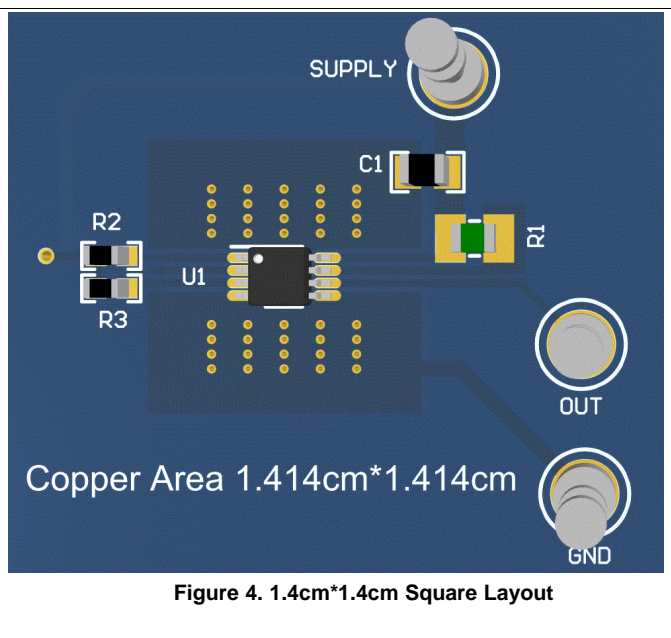
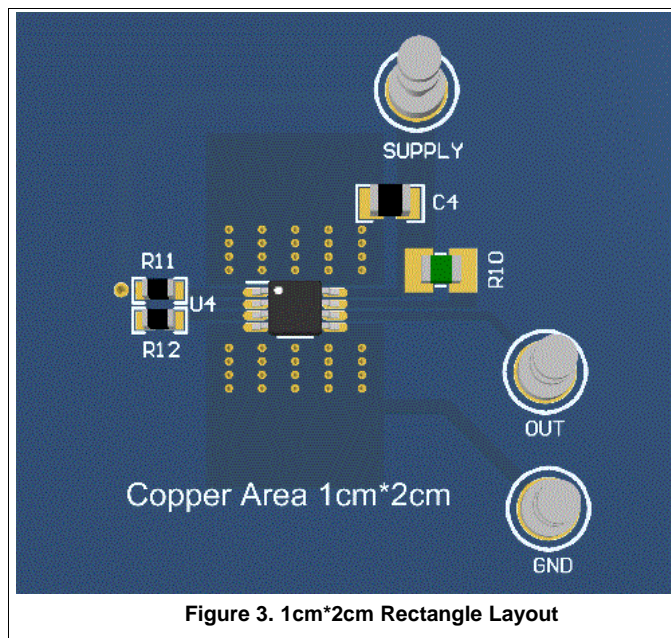
$$R_{\theta JA} = \frac{T_{SD} - T_A}{(V_{SUPPLY} - V_{OUT}) * I_{OUT}} \tag{1}$$

2.2 Test Results

Figure 1 and Figure 2 shows the thermal resistor and 150°C junction temperature power dissipation vs ambient temperature. Just taken square options into consideration, the result is the same as our consumption: the bigger copper area, the better thermal performance.



However, with the same area, 2cm² rectangle is better than 2cm² square, even better than 3cm² square in low ambient temperature. That's because the package is MSOP(8) and the pins are distributed on the left and right side, see Figure 3 and Figure 4. Because of the pins' influence, square layout has a smaller effective cooling area than the rectangle layout.



3 Design Example for Thermal Budget

This section provides a design example for calculating maximum output current using the TPS92611-Q1 device. [Table 1](#) lists the design parameters.

Table 1. Design Parameter

DESIGN PARAMETER	EXAMPLE VALUE
V_{SUPPLY}	9V ~ 16V
LED	3s1p, OSRAM Red LED, VF = 2 V
Maximum ambient test temperature, T_A	85°C

Calculation methods is shown as below:

$$V_{\text{OUT}} = 2 \times 3 \text{ V} = 6 \text{ V} \quad (2)$$

$$P_D = (150^\circ\text{C} - T_A) / R_{\theta\text{JA}}$$

where

- P_D is the maximum power dissipation when junction temperature is equal to 150°C (3)

$$I_{\text{OUT}} = P_D / (V_{\text{SUPPLY_MAX}} - V_{\text{OUT}})$$

where

- I_{OUT} is the maximum output current for each channel. (4)

$$R_{\text{SNS}} = 0.098 / I_{\text{OUT}}$$

where

- R_{SNS} is the sense resistor. (5)

[Table 2](#) shows the design results based on the three different $R_{\theta\text{JA}}$ tested above. It shows the max output current based on different $R_{\theta\text{JA}}$. When using 1oz 1cm*1cm 40Vias board, the total max output current is 104mA. While using 1oz 2cm*3cm 40Vias board, the total max output current can be 174mA.

Table 2. Design Results

DESIGN PARAMETER	1cm*1cm	1.4cm*1.4cm	1cm*2cm	1.7cm*1.7cm	2cm*2cm	2cm*3cm
$R_{\theta\text{JA}}$	62.3°C/W	53.1°C/W	46.3°C/W	46.4°C/W	44.3°C/W	37.3°C/W
Maximum output current	104mA	122mA	139mA	140mA	146mA	174mA
Sense resistor	0.94Ω	0.8Ω	0.7Ω	0.7Ω	0.67Ω	0.56Ω

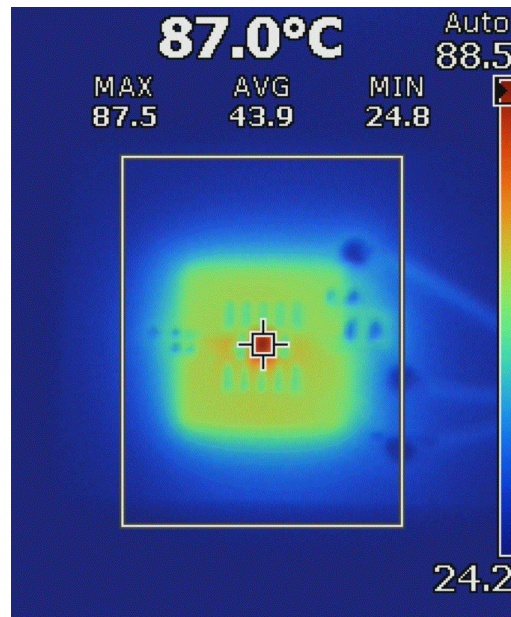


Figure 5. Thermal Distribution of 1.7cm*1.7cm Board Below Room Temperature

Figure 5 shows the thermal distribution under thermal imager. The test condition is the same as the design example of 1.7cm*1.7cm board version in Table 1 except the ambient temperature is 20°C instead of 85°C. The temperature rise of the junction is 87.5°C - 20°C = 67.5°C, which approaches the design parameter in Table 1 as 150°C - 85°C = 65°C.

In real application, recommend to leave some current margin for example 10% current less in order to avoid other factors' impact on the radiation.

4 Summary

This application report outlines the influences of different layout methods on TPS92611-Q1 thermal performance. Under our test PCB, for 2cm*3cm version, the thermal resistor is about 40 °C/W (room temperature). Always keep in mind that a different layout design can get a different thermal resistor and further different maximum output current. Layout designer needs not only give bigger area, but also take package into consideration so as to get better thermal heat radiation.

5 References

- Texas Instruments [TPS92611-Q1 Automotive Single-Channel Linear LED Driver Data Sheet](#)

IMPORTANT NOTICE AND DISCLAIMER

TI PROVIDES TECHNICAL AND RELIABILITY DATA (INCLUDING DATASHEETS), DESIGN RESOURCES (INCLUDING REFERENCE DESIGNS), APPLICATION OR OTHER DESIGN ADVICE, WEB TOOLS, SAFETY INFORMATION, AND OTHER RESOURCES "AS IS" AND WITH ALL FAULTS, AND DISCLAIMS ALL WARRANTIES, EXPRESS AND IMPLIED, INCLUDING WITHOUT LIMITATION ANY IMPLIED WARRANTIES OF MERCHANTABILITY, FITNESS FOR A PARTICULAR PURPOSE OR NON-INFRINGEMENT OF THIRD PARTY INTELLECTUAL PROPERTY RIGHTS.

These resources are intended for skilled developers designing with TI products. You are solely responsible for (1) selecting the appropriate TI products for your application, (2) designing, validating and testing your application, and (3) ensuring your application meets applicable standards, and any other safety, security, or other requirements. These resources are subject to change without notice. TI grants you permission to use these resources only for development of an application that uses the TI products described in the resource. Other reproduction and display of these resources is prohibited. No license is granted to any other TI intellectual property right or to any third party intellectual property right. TI disclaims responsibility for, and you will fully indemnify TI and its representatives against, any claims, damages, costs, losses, and liabilities arising out of your use of these resources.

TI's products are provided subject to TI's Terms of Sale (www.ti.com/legal/termsofsale.html) or other applicable terms available either on ti.com or provided in conjunction with such TI products. TI's provision of these resources does not expand or otherwise alter TI's applicable warranties or warranty disclaimers for TI products.

Mailing Address: Texas Instruments, Post Office Box 655303, Dallas, Texas 75265
Copyright © 2020, Texas Instruments Incorporated