

# Using the Half-Bridge DRV89xx-Q1 as High-Side or Low-Side Switch



The DRV89XX-Q1 family of 4-, 6-, 8-, 10- and 12-channel motor drivers is designed to drive brushed motors, LEDs, and inductive loads. By utilizing SPI, each channel in the DRV89XX-Q1 family of devices can be independently configured to operate as a half-bridge, high-side switch, or low-side switch. Features such as the built-in PWM generator, enhanced open-load detection and both short to battery and ground protection makes this family of devices an attractive solution to drive many types of loads. This article examines how DRV89XX-Q1 devices can be used as a high-side or low-side switch to switch inductive loads such as relay coils or solenoids.

There is a difference in the circuit topology between the DRV89XX-Q1 as a high-side or low-side switch and a standard high-side or low-side switch. Figure 1 shows the DRV89XX-Q1 output MOSFETs. From this figure, it can be inferred that it is not possible to disconnect the body diode of the MOSFET that is not being used.

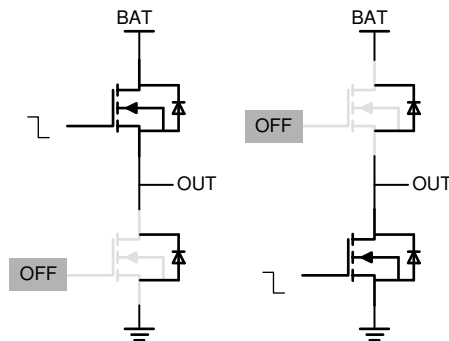


Figure 1. DRV89xx-Q1 Output Circuit

## Switching inductive loads

The switching of inductive loads deserves special attention because this operation may lead to high-voltage transients that can damage the switch. If a high-side switch is used to switch an inductor, a negative transient voltage is generated when the switch is turned off. Similarly, if the low side is used to power the inductor, then a positive transient voltage is generated. This is due to the stored magnetic energy in the inductor. To prevent damage when switching off the switch, the stored magnetic energy must be dissipated by clamping the voltage across the

inductive load. Usually, a TVS diode or clamping circuit to clamp the voltage is used as Figure 2 shows.

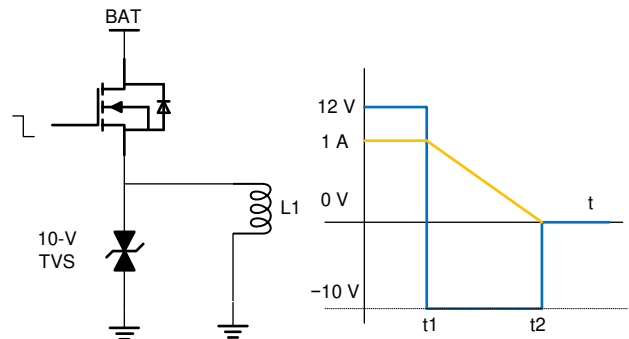


Figure 2. High-Side Switch Driving an Inductor

The choice of a suitable clamping voltage is important – a higher clamping voltage will damage the driver circuit and a lower clamping voltage will extend the current discharge time of the inductor. Assuming that the inductor is ideal with inductance  $L$ , clamping voltage is  $U$ ; inductor current is  $I$ , and the duration it takes for the inductor current to become zero after the switch is turned off is  $T$ , the energy stored in the inductor at the instant the switch is turned off is  $W_L = \frac{1}{2} \times L \times I \times I$ . The energy dissipated in the TVS diode is  $W_{TVS} = \frac{1}{2} \times U \times I \times T$ . Equating these two expressions,  $\frac{1}{2} \times U \times I \times T = \frac{1}{2} \times L \times I \times I$ , the time is given by the expression  $T = L \times I / U$ . This formula explains why high-side and low-side switches require higher clamping voltage to reduce the current discharge time when driving inductive loads.

## Inductor current with smart high-side switches

TI's smart high-side switches, such as the TPS2HB16-Q1, are designed with clamping circuits that result in high clamping voltage. Note that this switch does not have a freewheeling diode. Figure 3 shows scope traces of the output voltage in cyan and inductor current in yellow after the switch is turned off. The load is a relay, with a coil current of 100 mA and the supply voltage to the high-side switch is 12 V. This figure shows that the time required for the inductor current to become zero is small. For more information, see [How To Drive Resistive, Inductive, Capacitive, and Lighting Loads Application Report](#). The figure is

an example when driving a relay using the TPS2HB16-Q1.

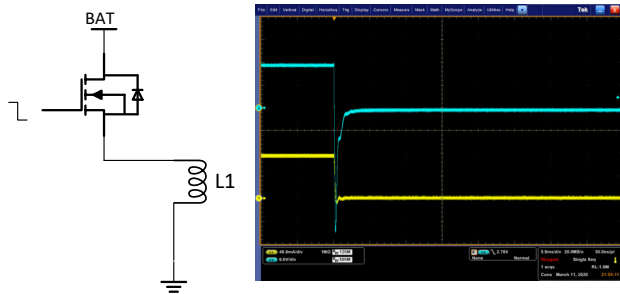


Figure 3. Turning off Inductive Load With TPS2HB16-Q1

### Inductor current with the DRV89xx-Q1

Because of the body diode in the MOSFET that is not being used, the DRV89XX-Q1 performs differently when switching off an inductive load. This is because the body diode acts as a freewheeling diode

Figure 4 shows scope traces of the output voltage in cyan and inductor current in yellow after the switch is turned off for the same relay.

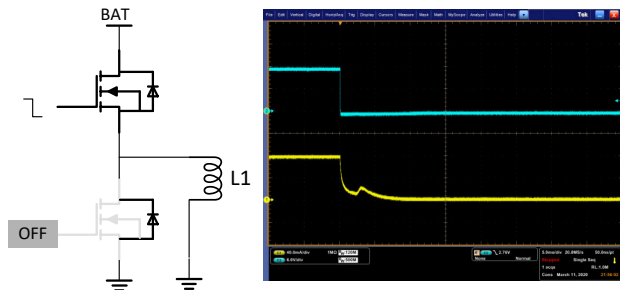


Figure 4. Turning off Inductive Load With DRV89xx-Q1

From Figure 4, it can be inferred that the freewheeling diode clamps the negative voltage of the inductor around -0.7 V, and the discharge of the inductor is about 3 ms.

So what does this mean for the actual contact release? Figure 5 shows the scope trace of the relay coil current in green and the switch output voltage in cyan. The yellow trace in this figure is the switch output voltage.

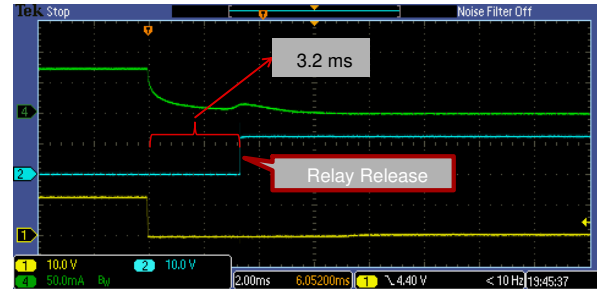


Figure 5. DRV8912-Q1 Driving a Relay Coil

From Figure 5, it can be inferred that the relay contacts are released 3 ms after the switch is turned off, which is less than the typical requirement of 10 ms for relay release in such applications.

### Conclusions

DRV89xx-Q1 devices can be used as high-side or low-side switches to switch inductive loads in addition to being able to switch resistive loads and LEDs.

## IMPORTANT NOTICE AND DISCLAIMER

TI PROVIDES TECHNICAL AND RELIABILITY DATA (INCLUDING DATA SHEETS), DESIGN RESOURCES (INCLUDING REFERENCE DESIGNS), APPLICATION OR OTHER DESIGN ADVICE, WEB TOOLS, SAFETY INFORMATION, AND OTHER RESOURCES "AS IS" AND WITH ALL FAULTS, AND DISCLAIMS ALL WARRANTIES, EXPRESS AND IMPLIED, INCLUDING WITHOUT LIMITATION ANY IMPLIED WARRANTIES OF MERCHANTABILITY, FITNESS FOR A PARTICULAR PURPOSE OR NON-INFRINGEMENT OF THIRD PARTY INTELLECTUAL PROPERTY RIGHTS.

These resources are intended for skilled developers designing with TI products. You are solely responsible for (1) selecting the appropriate TI products for your application, (2) designing, validating and testing your application, and (3) ensuring your application meets applicable standards, and any other safety, security, regulatory or other requirements.

These resources are subject to change without notice. TI grants you permission to use these resources only for development of an application that uses the TI products described in the resource. Other reproduction and display of these resources is prohibited. No license is granted to any other TI intellectual property right or to any third party intellectual property right. TI disclaims responsibility for, and you will fully indemnify TI and its representatives against, any claims, damages, costs, losses, and liabilities arising out of your use of these resources.

TI's products are provided subject to [TI's Terms of Sale](#) or other applicable terms available either on [ti.com](http://ti.com) or provided in conjunction with such TI products. TI's provision of these resources does not expand or otherwise alter TI's applicable warranties or warranty disclaimers for TI products.

TI objects to and rejects any additional or different terms you may have proposed.

Mailing Address: Texas Instruments, Post Office Box 655303, Dallas, Texas 75265  
Copyright © 2022, Texas Instruments Incorporated