

# Reference Design using the HC5503PRC SLIC and the Texas Instruments TP3057A Combined PCM CODEC and Filter

Authors: Don LaFontaine, Chris Ludeman

## Features

The network requirements of many countries require the analog subscriber line circuit (SLIC) to terminate the subscriber line with an impedance for voiceband frequencies which is complex, rather than resistive (e.g. 600Ω). This requires that the physical resistance that is situated between the SLIC and the subscriber line, comprised of protection and/or sensing resistors, and the output resistance of the SLIC itself, be adapted to present an impedance to the subscriber line that varies with frequency. This is accomplished using feedback around the SLIC.

The purpose of this application note is to show a means of accomplishing this task for the HC5503PRC and Texas Instruments TP3057A Combo.

Discussed in this application note is the following:

- 2-wire 600Ω impedance matching.
- 2-wire complex impedance matching.
- Receive gain (4-wire to 2-wire) and transmit gain (2-wire to 4-wire) calculations.
- Transhybrid balance calculations.
- Reference design for 600Ω 2-wire load.
- Reference design for China complex 2-wire load.

## Impedance Matching

Impedance matching of the HC5503PRC to the subscriber load is important for optimization of 2 wire return loss, which in turn cuts down on echoes in the end to end voice

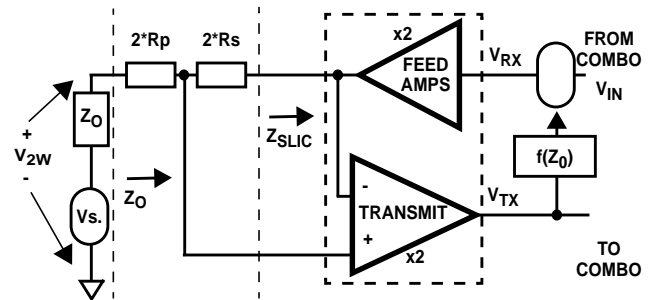


FIGURE 1. IMPEDANCE MATCHING BLOCK DIAGRAM

communication path. It is also important for maintaining voice signal levels on long loops. Consider the equivalent circuit shown in Figure 1.

The circuitry inside the dotted box is representative of the SLIC feed and transmit amplifiers. The feed and transmit amplifiers pass the voice signals in the receive and transmit directions respectively. Without the feedback block  $f(Z_0)$ , the termination resistance at  $V_{2W}$  would equal the two protection resistors ( $R_P$ ) and the two sense resistors ( $R_S$ ), as the feed amplifiers present a very low output impedance to the subscriber line. The desired termination impedance at  $V_{2W}$  is  $Z_0$ . The feedback block  $f(Z_0)$  matches the SLIC's output impedance ( $Z_{SLIC}$ ) plus the two protection resistors ( $R_P$ ) and the two sense resistors ( $R_S$ ) to the load ( $Z_0$ ).

Impedance matching of the HC5503PRC is accomplished by making the SLIC's impedance ( $Z_{SLIC}$ , Figure 2) equal to the

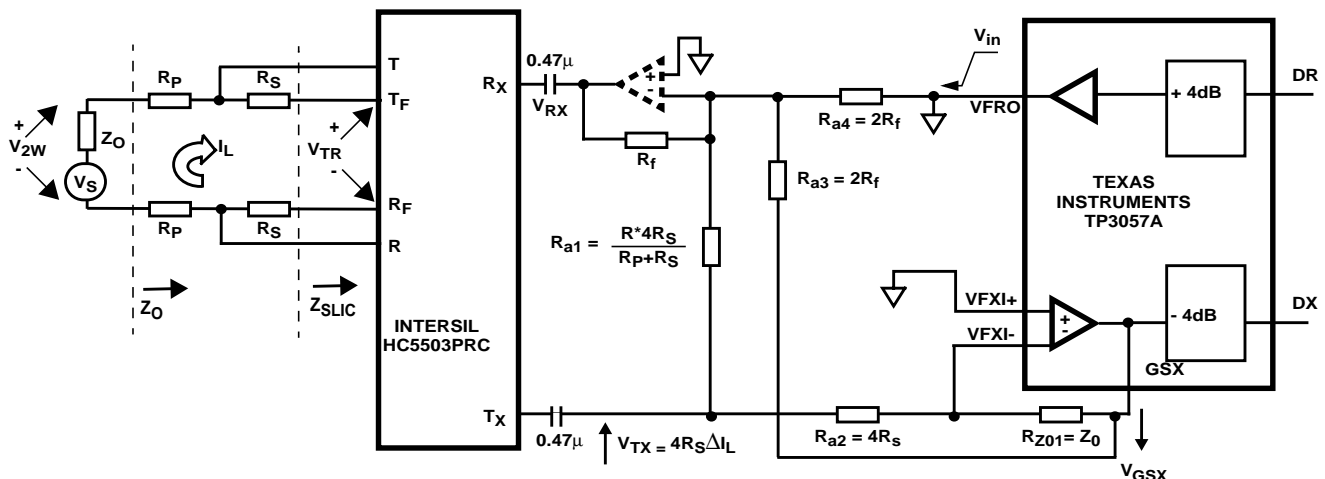


FIGURE 2. IMPEDANCE MATCHING

desired terminating impedance  $Z_0$ , minus the value of the protection and sense resistors. The desired impedance at the input to the SLIC is given in Equation 1.

$$Z_{SLIC} = Z_0 - 2 \times R_P - 2 \times R_S \quad (\text{EQ. 1})$$

The AC loop current required to satisfy this condition is given in Equation 2.

$$\Delta I_L = \frac{V_{TR}}{(Z_0 - 2 \times R_P - 2 \times R_S)} \text{ at matching} \quad (\text{EQ. 2})$$

The current calculated in Equation 2 is used as feedback to match the impedance of the SLIC and both protection and sense resistors to the load  $Z_0$ .

The output voltage of the SLIC ( $V_{TX}$ ) is defined by design and given in Equation 3.

$$V_{TX} = 4R_S \Delta I_L \quad (\text{EQ. 3})$$

Substituting for  $\Delta I_L$  from Equation 2 into Equation 3 results in the voltage at the  $V_{TX}$  output that will be used to generate the required feedback.

$$V_{TX} = \frac{4R_S \times V_{TR}}{(Z_0 - 2 \times R_P - 2 \times R_S)} \quad (\text{EQ. 4})$$

By design,  $V_{TR}$  is equal to 2 times the voltage at the receive input ( $V_{RX}$ ) Figure 2.

$$V_{TR} = 2 \times V_{RX} \quad (\text{EQ. 5})$$

Substituting Equation 5 into Equation 4.

$$V_{TX} = \frac{4R_S \times 2 \times V_{RX}}{(Z_0 - 2 \times R_P - 2 \times R_S)} \quad (\text{EQ. 6})$$

Solving Equation 6 for the voltage at  $V_{RX}$  as a function of  $V_{TX}$  (when matching the  $Z_{SLIC}$ , the two protection resistors ( $R_P$ ) and the two sense resistors ( $R_S$ ) to the load  $Z_0$ ) is given in Equation 7.

$$\frac{V_{RX}}{V_{TX}} = \frac{(Z_0 - 2 \times R_P - 2 \times R_S)}{8 \times R_S} \quad (\text{EQ. 7})$$

Equation 7 is the gain of the feedback circuit (output/input =  $V_{RX}/V_{TX}$ ) used to match the impedance of the SLIC and both protection and sense resistors. Note: In Equation 7 it seemed logical to simplify the numerator by trying to combine  $Z_0$  and the two subsequent terms together. In practice however, the impedance of the network you want to match ( $Z_0$ ) cannot easily have  $2 \times R_P$  and  $2 \times R_S$  subtracted from it since the sum of these resistors is often larger than the value of the series resistance of the complex network.

Equation 7 is therefore rewritten in Equation 8.

$$\frac{V_{RX}}{V_{TX}} = \frac{Z_0}{8 \times R_S} - \frac{2 \times (R_P + R_S)}{8 \times R_S} \quad (\text{EQ. 8})$$

Analysis of EQ. 8 yields a 2 OpAmp feedback network. The first term has  $Z_0$  and no phase inversion. This requires the path to flow through 2 opamps and makes the matching of different complex loads easy. (i.e. can set  $Z_0$  in feedback network equal to the  $Z_0$  you want to match). The second term has a phase inversion and requires only one OpAmp in the feedback path.

Figure 2 shows the circuit required to achieve matching of the SLIC's impedance to the load  $Z_0$ . The voltage at  $V_{RX}$  is a function of  $V_{TX}$ ,  $V_{GSX}$  ( $V_{TX}R_{ZO1}/R_{a2}$ ) and  $V_{IN}$ .

The voltage at  $V_{RX}$  is determined via superposition. The circuit equation for the feedback network is given in Equation 9.

$$V_{RX} = -V_{TX} \frac{R_f}{R_{a1}} + \frac{V_{TX} R_{ZO1} R_f}{R_{a2} R_{a3}} - \frac{V_{IN} R_f}{R_{a4}} \quad (\text{EQ. 9})$$

For impedance matching of the two wire side, we set  $V_{IN}$  equal to zero. This reduces Equation 9 to that shown in Equation 10.

$$V_{RX} = -V_{TX} \frac{R_f}{R_{a1}} + \frac{V_{TX} R_{ZO1} R_f}{R_{a2} R_{a3}} \quad (\text{EQ. 10})$$

To achieve the desired matching of the circuit to the line impedance  $Z_0$ , we set our design Equation 8 equal to our circuit Equation 10. By inspection of the correct phase in Equations 8 and 10, we have Equations 11 and 12.

$$\frac{Z_0}{8 \times R_S} = \frac{R_{ZO1} R_f}{R_{a2} R_{a3}} \quad (\text{EQ. 11})$$

$$\frac{2 \times (R_P + R_S)}{8 \times R_S} = \frac{R_f}{R_{a1}} \quad (\text{EQ. 12})$$

Given:  $R_f = R$ ,  $R_{a3} = 2R$ ,  $R_{ZO1} = Z_0$  Note: by making  $R_{a3} = 2R_f$ , the value of  $R_{a2}$  becomes  $4R_S$  (EQ. 13). This results in the 2-wire to 4-wire gain being equal to 1 (EQ.24 and EQ.25)

From Equation 11.

$$R_{a2} = 4R_S \quad (\text{EQ. 13})$$

From Equation 12.

$$R_{a1} = \frac{R \times 4R_S}{R_P + R_S} \quad (\text{EQ. 14})$$

### Receive Gain ( $V_{IN}$ to $V_{2W}$ )

4-wire to 2-wire gain is equal to the  $V_{2W}$  divided by the input voltage  $V_{IN}$ , reference Figure 3. The gains through the CODEC are not considered at this point.

$$A_{4W-2W} = \frac{V_{2W}}{V_{IN}} \quad (EQ. 15)$$

The 2-wire voltage  $V_{2W}$  is determined by a loop equation and is given in Equation 16.

$$V_{2W} = (2R_P + 2R_S)\Delta I_L + V_{TR} \quad (EQ. 16)$$

Combining EQ.5 and EQ.9, gives an expression for  $V_{TR}$  in terms of  $V_{RX}$ , as shown in EQ.17.

$$V_{TR} = 2V_{RX} = 2\left(-V_{TX}\frac{R_f}{R_{a1}} + \frac{V_{TX}R_{Z01}R_f}{R_{a2}R_{a3}} - \frac{V_{IN}R_f}{R_{a4}}\right) \quad (EQ. 17)$$

The voltage at  $V_{TR}$  is therefore a function of  $V_{TX}$  and  $V_{IN}$ . Note: contribution from  $V_{GSX}$  (middle term in EQ.17) is zero due to the transhybrid circuit, reference section titled "Transhybrid Balance G(4-4)".

This reduces Equation 17 to Equation 18.

$$V_{TR} = 2V_{RX} = -2\left(V_{TX}\frac{R_f}{R_{a1}} + \frac{V_{IN}R_f}{R_{a4}}\right) \quad (EQ. 18)$$

Substituting  $4R_S\Delta I_L$  (EQ. 3) for  $V_{TX}$  in EQ.18 and combining this with EQ. 16, results in an equation for  $V_{2W}$  in terms of:  $\Delta I_L$ , the external resistors and the input voltage  $V_{IN}$  (Equation 19).

$$V_{2W} = (2R_P + 2R_S)\Delta I_L - 8R_S\Delta I_L\frac{R_f}{R_{a1}} - 2\frac{V_{IN}R_f}{R_{a4}} \quad (EQ. 19)$$

Ohms law defines  $\Delta I_L$  as being equal to  $-V_{2W}/Z_O$ .

Substituting  $-V_{2W}/Z_O$  for  $\Delta I_L$  in EQ.19 gives Equation 20.

$$V_{2W} = -(2R_P + 2R_S)\frac{V_{2W}}{Z_O} + 8R_S\frac{V_{2W}}{Z_O}\frac{R_f}{R_{a1}} - 2\frac{V_{IN}R_f}{R_{a4}} \quad (EQ. 20)$$

EQ.20 can be rearranged to solve for the 4-wire to 2-wire gain  $V_{2W}/V_{IN}$ , as shown in EQ.21.

$$A_{4W-2W} = \frac{V_{2W}}{V_{IN}} = -\left(\frac{2R_f}{R_{a4}}\right) \times \frac{R_{a1}Z_O}{R_{a1}(2R_P + 2R_S) + R_{a1}Z_O - 8R_S R_f} \quad (EQ. 21)$$

Given:  $R_f=100k\Omega$ ,  $R_{a4}=200k\Omega$ ,  $R_{a1}=267k\Omega$ ,  $Z_O=600\Omega$ ,  $R_S=100\Omega$ ,  $R_P=50\Omega$ .

Note: by making  $R_{a4}$  equal to  $2R_f$  the 4-wire to 2-wire gain becomes -1.

### Transmit Gain across HC5503PRC ( $V_{2W}$ to $V_{TX}$ )

The output voltage of the SLIC ( $V_{TX}$ ) was defined in EQ.3 as being equal to  $4R_S\Delta I_L$ .  $\Delta I_L$  is equal to twice the input voltage ( $2V_{RX}$ ) divided by the total loop resistance as shown in Figure 4. If the load impedance is  $600\Omega$ , then the gain across the HC5503PRC is 2/3 the input voltage  $V_{RX}$ . Likewise, if the load impedance is  $811\Omega$ , (next example with a complex load) then the gain across the HC5503PRC is 400/811 times the input voltage  $V_{RX}$ .

### Transmit Gain ( $V_{2W}$ to $V_{GSX}$ )

2-wire to 4-wire gain is equal to the  $V_{GSX}$  voltage divided by the 2-wire voltage  $V_{2W}$ , reference Figure 3.

$$A_{2W-4W} = \frac{V_{GSX}}{V_{2W}} \quad (EQ. 22)$$

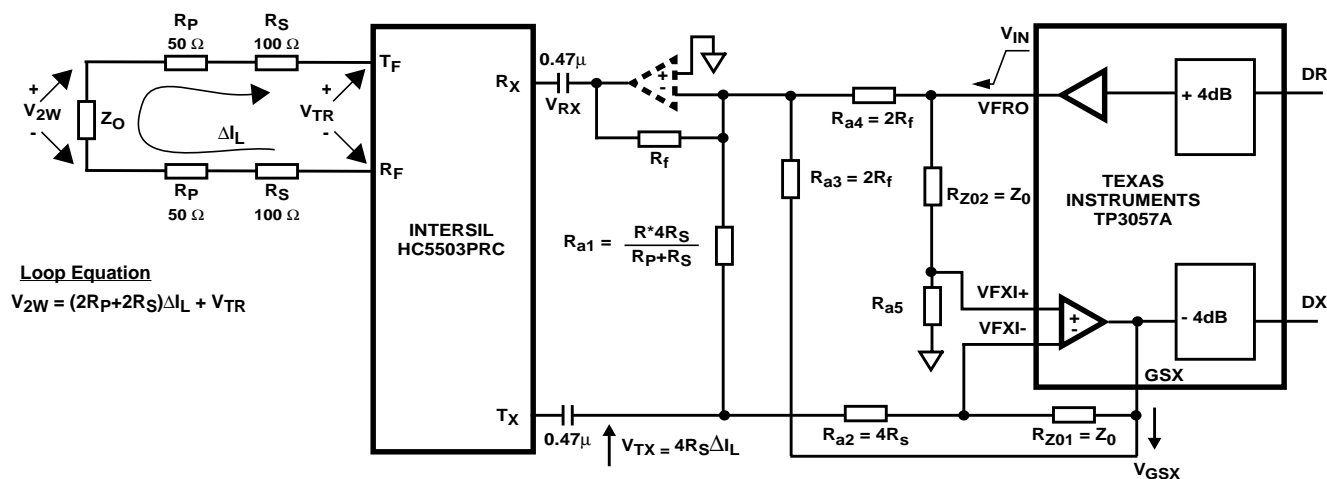


FIGURE 3. RECEIVE GAIN G(4-2), TRANSMIT GAIN (2-4) and TRANSHYBRID BALANCE (feedback circuit only)

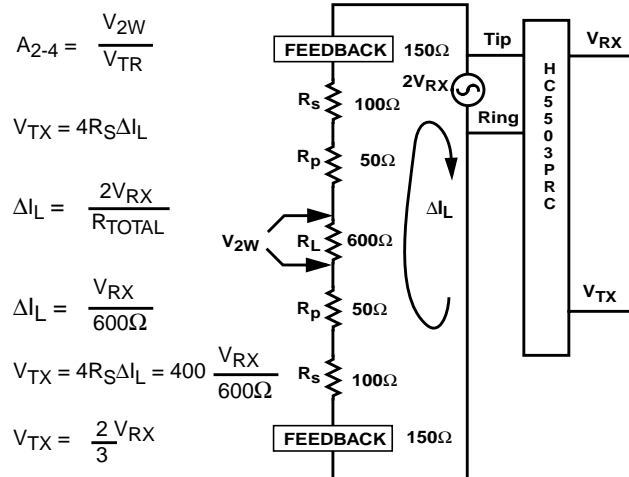


FIGURE 4. TRANSMIT GAIN ACROSS HC5503PRC ( $V_{2W}$  to  $V_{TX}$ )

$V_{GSX}$  is only a function of  $V_{TX}$  and the feedback resistors  $R_{a2}$  and  $R_{ZO1}$  EQ.23. This is because  $V_{IN}$  is considered ground for this analysis, thereby effectively grounding the positive terminal of the GSX OpAmp.

$$V_{GSX} = -V_{TX} \frac{R_{ZO1}}{R_{a2}} \quad (EQ. 23)$$

Substituting EQ.3 for  $V_{TX}$  and  $\Delta I_L$  for  $-V_{2W}/Z_O$  into EQ. 23,  $V_{GSX}$  equals:

$$V_{GSX} = 4R_S \frac{V_{2W}}{Z_O} \left( \frac{R_{ZO1}}{R_{a2}} \right) \quad (EQ. 24)$$

$Z_O$  is equal to  $R_{ZO1}$  (actual values of  $R_{ZO1}$  and  $R_{a2}$  were multiplied by 1000 to reduce loading effects on the opamps). Simplifying EQ.24 and assuming  $R_{a2}=4R_S$  from EQ.13 results in EQ.25.

$$A_{2W-4W} = \frac{V_{GSX}}{V_{2W}} = \left( \frac{4R_S}{4R_S} \right) = 1 \quad (EQ. 25)$$

The transmit gain 2-wire to 4-wire is equal to one.

### Transhybrid Balance G(4-4)

Transhybrid balance is a measure of how well the input signal is canceled (that being received by the SLIC) from the transmit signal (that being transmitted from the SLIC to the CODEC). Without this function, voice communication would be difficult because of the echo.

The signals at  $V_{IN}$  and  $V_{TX}$  (Figure 3) are in phase. If  $V_{IN}$  and  $V_{TX}$  are summed together with the correct magnitudes at the input to the Combo transmit GSX OpAmp, they will cancel out and not be present at the  $V_{GSX}$  output.

The circuit in Figure 5 has been set up so that the SLIC matches the load impedance and that both G(4-2) and G(2-4) are adjusted to be 1.0 and flat over frequency.

The GSX OpAmp in the CODEC is configured as a differential amplifier with its output defined in EQ. 26.

$$V_{GSX} = V_{IN} \frac{R_{a5}}{R_{a5} + R_{ZO2}} \left( \frac{R_{a2} + R_{ZO1}}{R_{a2}} \right) - V_{TX} \frac{R_{ZO1}}{R_{a2}} \quad (EQ. 26)$$

The values of  $R_{a2}$ ,  $R_{a5}$ ,  $R_{ZO1}$  and  $R_{ZO2}$  should be scaled by 1000 to minimize the effects of parallel resistance on the gain adjustment resistor R2 (Figure 5). Resistors R1 and R2 adjust the gain of the input signal from the TP3057A to account for the +4dB gain in the receive path. Scaling of a complex load is shown in EQ 27.

$$R_{ZO1} \text{ or } R_{ZO2} = 100(\text{Resistive}) + \frac{\text{Reactive}}{100} \quad (EQ. 27)$$

Note: When matching a complex impedance some impedance models (900+2.15μF, K=100) will cause the OpAmp feedback to be open at DC currents, bringing the OpAmp to an output rail. A resistor with a value of about 10 times the reactance of the capacitor (21.6nF) at the low frequency of interest (200Hz for example) can be placed in parallel with the capacitor in order to solve the problem (368kΩ for a 21.6nF capacitor).

### Reference Design of the HC5503PRC and the TP3057A with a 600Ω Load Impedance

The design criteria is as follows:

- 4-wire to 2-wire gain (DR to  $V_{2W}$ ) equal 0dB.
- 2-wire to 4-wire gain ( $V_{2W}$  to  $D_X$ ) equal 0dB.
- Two Wire Return Loss greater than -30dB (200Hz to 4kHz).

$R_p = 50$ ,  $R_s = 100$ .

Figure 5 gives the reference design using the Intersil HC5503PRC SLIC and the Texas Instruments TP3057A combined PCM CODEC and filter. Also shown in Figure 5 are the voltage levels at specific points in the circuit. These voltages will be used to adjust the gains of the network.

### Impedance Matching

For impedance matching of the 2-wire side we set the input voltage at DR equal to zero. This effectively grounds the VFXI+ input of the GSX amplifier. To achieve a 2-wire to 4-wire gain ( $V_{2W}$  to  $D_X$ ) of 0dB we need to increase the gain of the GSX amplifier to overcome the -4dB loss in the TP3057A. The required gain is found by using EQ. 24, repeated here for convenience in EQ. 28.

$$V_{GSX} = 4R_S \frac{V_{2W}}{Z_O} \left( \frac{R_{ZO1}}{R_{a2}} \right) \quad (EQ. 28)$$

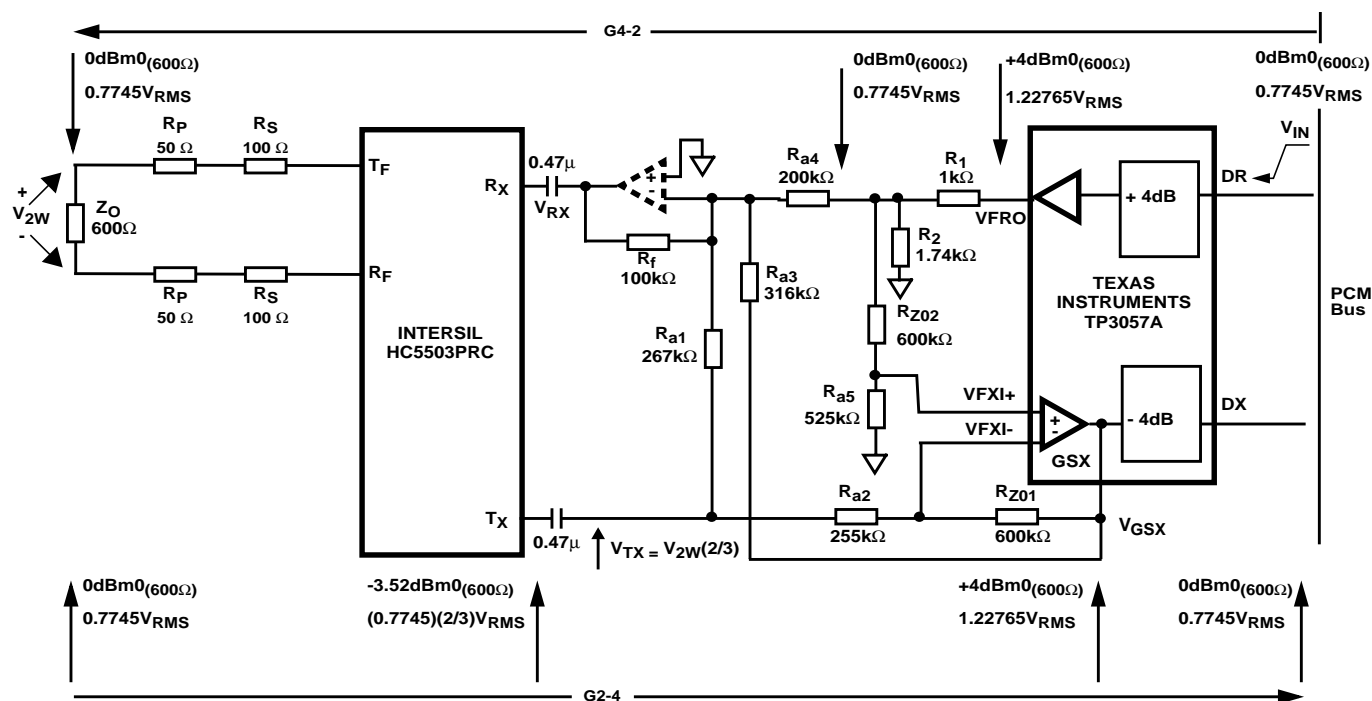


FIGURE 5. Reference Design of the HC5503PRC and the TP3057A with a 600Ω Load Impedance

Substituting the required voltage levels (Figure 5) for  $V_{GSX}$  (1.2276) and  $V_{2W}$  (0.7745) and rearranging to solve for  $R_{a2}$  results in EQ. 29. Where:  $V_{GSX} / V_{2W} = 1.585$ , and  $Z_0 = R_{Z01}$

$$R_{a2} = \frac{400}{1.585} = 252.3 \quad (\text{EQ. 29})$$

The value of  $R_{a2}$  needs to be scaled by 1000 to minimize the effects of the parallel resistance  $R_{Z02}$  and  $R_{a5}$  on the gain adjustment resistor  $R_2$ .

The nearest standard value for  $R_{a2}$  is 255kΩ.

$R_{a3}$  needs to increase by (1.585) to maintain the same feedback for impedance matching EQ. 30.

$$R_{a3} = (200k\Omega)(1.585) = 317k\Omega \quad (\text{EQ. 30})$$

The closest standard value is for  $R_{a3}$  is 316kΩ.

To achieve a 4-wire to 2-wire gain (DR to  $V_{2W}$ ) equal to 0dB we need to decrease the input to the feedback circuit from the VFRO pin to account for the +4dB increase in the TP3057A. A simple voltage divider will decrease the 1.2276 volt input down to the required 0.7745 volts EQ. 31.

$$0.7745 = \frac{R_2}{R_2 + R_1} 1.2276 \quad (\text{EQ. 31})$$

Rearranging to solve for  $R_2$  results in EQ. 32.

$$R_2 = R_1(1.709) \quad (\text{EQ. 32})$$

If  $R_1$  equals 1kΩ then  $R_2$  equals 1.709kΩ. Notice however that  $R_2$  is in parallel with  $R_3$ ,  $R_{Z02} + R_{a5}$  and  $R_{a1}$ . Therefore, the correct value of  $R_2$  must consider this parallel combination to achieve 0dBm(600Ω) at the load. This calculation results in a value of 1.73kΩ. The closest standard value for  $R_2$  is 1.74kΩ.

### Transhybrid Balance ( $Z_L = 600\Omega$ )

The internal GSX amplifier of the TP3057A is used to perform the transhybrid balance function. For discussion purpose, the GSX amplifier is redrawn with the external resistors in Figure 6. The transfer function of the amplifier is given in EQ. 33 and EQ.34.

$$V_{OUT} = V_2 \frac{R_{a5}}{R_{a5} + R_{Z02}} \left( \frac{R_{Z01} + R_{a2}}{R_{a2}} \right) - V_1 \frac{R_{Z01}}{R_{a2}} \quad (\text{EQ. 33})$$

$$V_{OUT} = V_2 \frac{R_{a5}}{R_{a5} + 600K\Omega} \left( \frac{600K\Omega + 255K\Omega}{255K\Omega} \right) - V_1 \frac{600K\Omega}{255K\Omega} \quad (\text{EQ. 34})$$

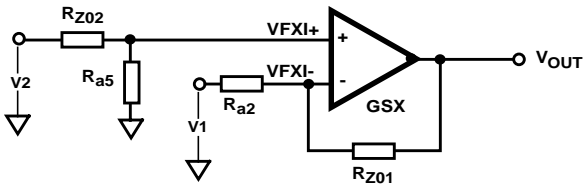


FIGURE 6. TRANSHYBRID BALANCE CIRCUIT

V1 is equal to  $(0.7745V_{RMS})(2/3)$ . V2 is equal to  $0.7745V_{RMS}$  ( $0dBm0_{(600\Omega)}$ ). The results of rearranging EQ.34 to solve for Ra5 and substituting in the values for V1 and V2 are shown in EQ. 35.

$$R_{a5} = \frac{941.17k\Omega}{(3.352 - 1.568)} = 527.47k\Omega \quad (EQ. 35)$$

Closest standard value for Ra5 is 525kΩ.

### Specific Implementation for China

The design criteria for a China specific solution are as follows:

- Desired line circuit impedance is  $200 + 680/j0.1\mu F$ .
- Receive gain ( $V_{2W}/V_{DR}$ ) is -3.5dB.
- Transmit gain ( $V_{DX}/V_{2W}$ ) is 0dB.
- $0dBm0$  is defined as 1mW into the complex impedance at 1020Hz.

$$R_p = 50, R_s = 100.$$

Figure 7 gives the reference design using the Intersil HC5503PRC SLIC and the Texas Instruments TP3057A combined PCM CODEC and filter. Also shown in Figure 7 are the voltage levels at specific points in the circuit. These voltages will be used to adjust the gains of the network.

### Adjustment to get -3.5dBm0 at the load Referenced to 600Ω

The voltage equivalent to  $0dBm0$  into  $811\Omega$  ( $0dBm0_{(811\Omega)}$ ) is calculated using EQ. 36.

$$0dBm0_{(811\Omega)} = 10\log \frac{V^2}{811(0.001)} = 0.90055V_{RMS} \quad (EQ. 36)$$

The gain referenced back to  $0dBm0_{(600\Omega)}$  is equal to:

$$GAIN = 20\log \frac{0.90055V_{RMS}}{0.7745V_{RMS}} = 1.309dB \quad (EQ. 37)$$

The adjustment to get -3.5dBm0 at the load referenced to  $600\Omega$  is:

$$Adjustment = -3.5dBm0 + 1.309dBm0 = -2.19dB \quad (EQ. 38)$$

The voltage at the load (referenced to  $600\Omega$ ) is given in EQ 39.

$$-2.19dBm0_{(600\Omega)} = 10\log \frac{V^2}{600(0.001)} = 0.60196V_{RMS} \quad (EQ. 39)$$

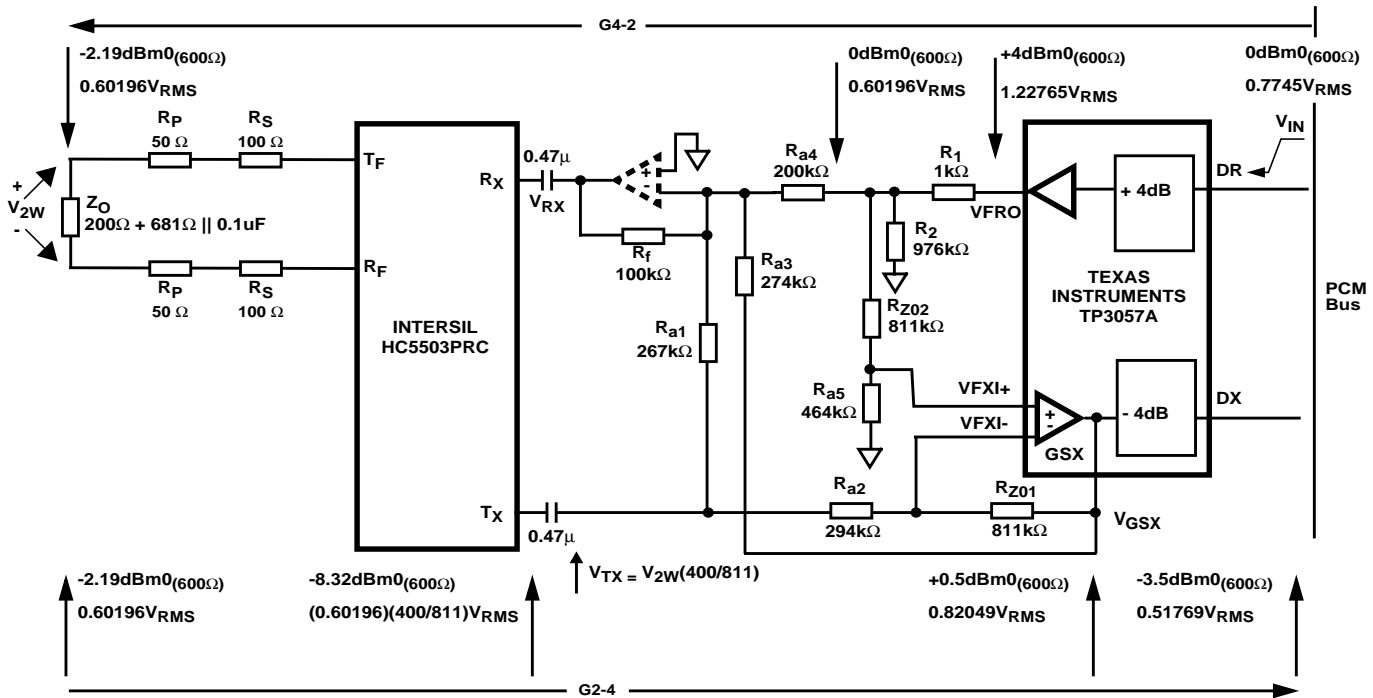


FIGURE 7. Reference Design of the HC5503PRC and the TP3057A with China Complex load Impedance



## Impedance Matching

For impedance matching of the 2-wire side we set the input voltage at DR equal to zero. This effectively grounds the VFXI+ input of the GSX amplifier. To achieve a 2-wire to 4-wire gain ( $V_{2W}$  to DX) of 0dB we need to increase the gain of the GSX amplifier to overcome the -4dB loss in the TP3057A. The required gain is found by using EQ. 24, repeated here for convenience in EQ. 40.

$$V_{GSX} = 4R_S \frac{V_{2W}}{Z_O} \left( \frac{R_{Z01}}{R_{a2}} \right) \quad (\text{EQ. 40})$$

Substituting the required voltage levels (Figure 7) for  $V_{GSX}$  (0.82049) and  $V_{2W}$  (0.60196) and rearranging to solve for  $R_{a2}$  results in EQ. 41. Where:  $V_{GSX} / V_{2W} = 1.363$ , and  $Z_O = R_{Z01}$

$$R_{a2} = \frac{400}{1.363} = 293.47 \quad (\text{EQ. 41})$$

The value of  $R_{a2}$  needs to be scaled by 1000 to minimize the effects of parallel resistance on the gain adjustment resistor  $R_2$ . The nearest standard value for  $R_{a2}$  is 294k $\Omega$ .

$R_{a3}$  needs to increase by (1.363) to maintain the same feedback for impedance matching EQ. 42.

$$R_{a3} = (200k\Omega)(1.363) = 272.6k\Omega \quad (\text{EQ. 42})$$

The closest standard value is for  $R_{a3}$  is 274k $\Omega$ .

To achieve a 4-wire to 2-wire gain (DR to  $V_{2W}$ ) equal to 0dB we need to decrease the input to the feedback circuit from the VFRO pin to account for the +4dB increase in the TP3057A. A simple voltage divider will decrease the 1.2276 volt input down to the required 0.60196 volts EQ. 43.

$$0.60196 = \frac{R_2}{R_2 + R_1} 1.2276 \quad (\text{EQ. 43})$$

Rearranging to solve for  $R_2$  results in EQ. 44.

$$R_2 = R_1(0.9621) \quad (\text{EQ. 44})$$

If  $R_1$  equals 1k $\Omega$  then  $R_2$  equals 962.1 $\Omega$ . Notice however that  $R_2$  is in parallel with  $R_3$ ,  $R_{Z02} + R_{a5}$  and  $R_{a1}$ . Therefore, the correct value of  $R_2$  must consider this parallel

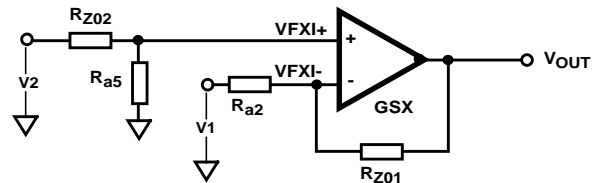


FIGURE 9. TRANSHYBRID BALANCE CIRCUIT

combination to achieve 0dBm<sub>0(600 $\Omega$ )</sub> at the load. This calculation results in a value of 968.57k $\Omega$ .

The closest standard value for  $R_2$  is 976 $\Omega$ .

## Transhybrid Balance ( $Z_L = 200 + 680//0.1\mu F$ )

The internal GSX amplifier of the TP3057A is used to perform the transhybrid balance function. For discussion purpose, the GSX amplifier is redrawn with the external resistors in Figure 9. The transfer function of the amplifier is given in EQ. 45 and EQ.46.

$$V_{OUT} = V_2 \frac{R_{a5}}{R_{a5} + R_{Z02}} \left( \frac{R_{Z01} + R_{a2}}{R_{a2}} \right) - V_1 \frac{R_{Z01}}{R_{a2}} \quad (\text{EQ. 45})$$

The impedance of the series parallel complex China load is equal to:

$$R_{Z01} = R_{Z02} = 772k - j250 = 811 \angle -17.9^\circ \quad (\text{EQ. 46})$$

Setting  $V_{OUT}$  equal to zero, best transhybrid balance, and rearranging the equation we get EQ. 47.

$$V_2 \frac{R_{a5}}{R_{a5} + 772k - j250k} \left( \frac{772k - j250k + 294k\Omega}{294k\Omega} \right) = V_1 \frac{772k - j250k}{294k\Omega} \quad (\text{EQ. 47})$$

$V_1$  is equal to  $(0.60196V_{RMS})(400/811)$  and  $V_2$  is equal to  $0.60196V_{RMS}$ . The results of rearranging EQ.47 to solve for  $R_{a5}$  and substituting in the values for  $V_1$  and  $V_2$  is shown in EQ. 48.

$$R_{a5} = \frac{274k - j114k}{0.636 - j0.0302} = 421k - j200k = 466k \angle -25.4^\circ \quad (\text{EQ. 48})$$

Closest standard value for  $R_{a5}$  is 464k $\Omega$ .

All Intersil semiconductor products are manufactured, assembled and tested under **ISO9000** quality systems certification.

*Intersil semiconductor products are sold by description only. Intersil Corporation reserves the right to make changes in circuit design and/or specifications at any time without notice. Accordingly, the reader is cautioned to verify that data sheets are current before placing orders. Information furnished by Intersil is believed to be accurate and reliable. However, no responsibility is assumed by Intersil or its subsidiaries for its use; nor for any infringements of patents or other rights of third parties which may result from its use. No license is granted by implication or otherwise under any patent or patent rights of Intersil or its subsidiaries.*

For information regarding Intersil Corporation and its products, see web site [www.intersil.com](http://www.intersil.com)

## Sales Office Headquarters

### NORTH AMERICA

Intersil Corporation  
P. O. Box 883, Mail Stop 53-204  
Melbourne, FL 32902  
TEL: (321) 724-7000  
FAX: (321) 724-7240

### EUROPE

Intersil SA  
Mercure Center  
100, Rue de la Fusee  
1130 Brussels, Belgium  
TEL: (32) 2.724.2111  
FAX: (32) 2.724.22.05

### ASIA

Intersil (Taiwan) Ltd.  
7F-6, No. 101 Fu Hsing North Road  
Taipei, Taiwan  
Republic of China  
TEL: (886) 2 2716 9310  
FAX: (886) 2 2715 3029

## **IMPORTANT NOTICE**

Texas Instruments and its subsidiaries (TI) reserve the right to make changes to their products or to discontinue any product or service without notice, and advise customers to obtain the latest version of relevant information to verify, before placing orders, that information being relied on is current and complete. All products are sold subject to the terms and conditions of sale supplied at the time of order acknowledgment, including those pertaining to warranty, patent infringement, and limitation of liability.

TI warrants performance of its semiconductor products to the specifications applicable at the time of sale in accordance with TI's standard warranty. Testing and other quality control techniques are utilized to the extent TI deems necessary to support this warranty. Specific testing of all parameters of each device is not necessarily performed, except those mandated by government requirements.

Customers are responsible for their applications using TI components.

In order to minimize risks associated with the customer's applications, adequate design and operating safeguards must be provided by the customer to minimize inherent or procedural hazards.

TI assumes no liability for applications assistance or customer product design. TI does not warrant or represent that any license, either express or implied, is granted under any patent right, copyright, mask work right, or other intellectual property right of TI covering or relating to any combination, machine, or process in which such semiconductor products or services might be or are used. TI's publication of information regarding any third party's products or services does not constitute TI's approval, warranty or endorsement thereof.