

# The Active Fail-Safe feature of the SN65LVDS32A

By Mark Morgan, *Interface Design Manager, Data Transmission*,  
and Bryan Smith, *Project Engineer, Data Transmission*

## Introduction

Differential data line receivers can switch on noise in the absence of an input signal. This can occur when the bus driver is turned off or the interconnecting cable is damaged or disconnected. Generally, this problem is solved with an external resistor network applying a steady-state bias voltage to the undriven input pins. While this adds to the cost of external components, it lowers the input-signal magnitude and reduces the differential-noise margin.

The fail-safe function attempts to drive the output of the data receiver to a known state under floating or disconnected bus conditions. However, the fail-safe features of many existing differential receivers are limited to open-circuit conditions or restricted to only certain operating conditions. The SN65LVDS32A\* (hereinafter referred to as the LVDS32A) Active Fail-Safe\*\* function is not restricted to the limitations seen in existing solutions. This article explains some of the existing fail-safe solutions, the differences between them, and the advantages of using Active Fail-Safe.

## What is Active Fail-Safe?

A fail-safe circuit provides a known receiver output when a valid input signal is not present. Receivers without fail-safe will oscillate in response to input differential noise. As previously mentioned, one technique to solve this problem is to bias the bus externally as shown in Figure 1. This maintains a dc offset in the absence of a valid signal. However, the presence of a bias network can unbalance the driver output loop currents. This can distort the output signal and possibly reduce the input signal amplitude to the receiver. When this happens, the possibility of switching on input noise is increased. Therefore, it is desirable to provide a fail-safe function with minimal impact on the input signal during normal operation.

Existing integrated fail-safe implementations rely on bias currents integrated internally into the receiver. As illustrated in Figure 2, the bias sources provide a current through the termination resistor. This ensures that a dc voltage is maintained across the termination resistor when a valid input signal is not present. The receiver in Figure 1 uses a pull-up and a pull-down current source to maintain a dc bias across the termination resistor. Other integrated solutions, such as in the non-A version of the LVDS32, use a pull-up on both input pins to bias each node up to  $V_{CC}$ . Logic detects this and drives the output to a known state.

The small bias currents used by existing integrated fail-safe solutions do not appreciably affect the input-signal magnitude. However, one disadvantage of the existing

\*The SN65LVDS32A Active Fail-Safe is also available in the following TI devices: SN65LVDT32A, SN65LVDS3486A, SN65LVDT3486A, SN65LVDS9637A, and SN65LVDT9637A.

\*\*TI patent pending

Figure 1. Input biasing

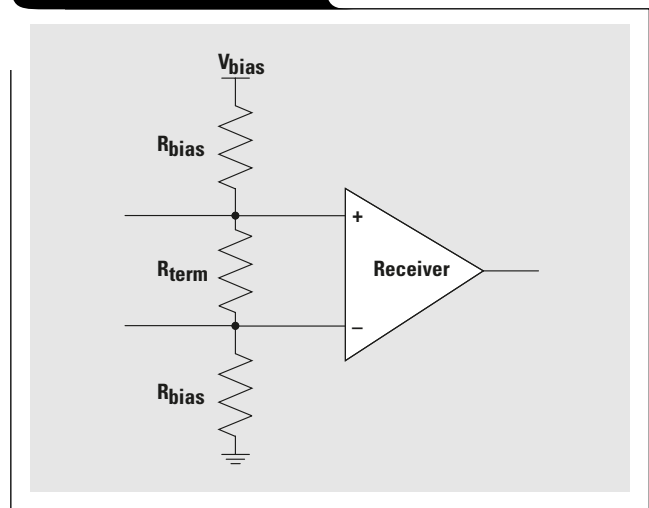
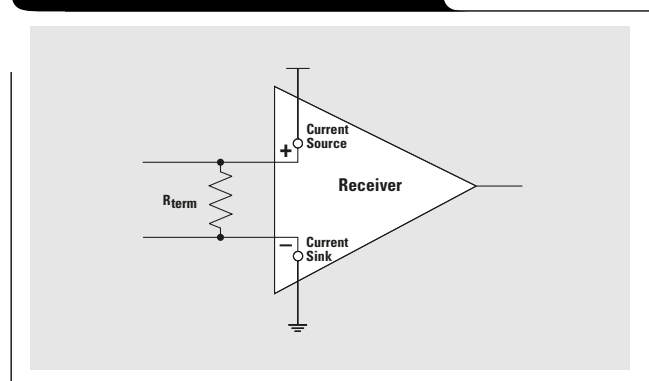


Figure 2. Receiver bias currents



solutions is that the fail-safe bias currents are unable to generate the required differential with an external common-mode voltage applied. Increasing the bias currents to improve this would result in additional bus loading during normal operation. Additionally, the offset created when pulling the two differential signals apart increases the input-signal magnitude required by the receiver to switch. This offset also contributes to pulse skew, which is the difference between the time needed for the receiver to switch from LOW to HIGH and the time to switch from HIGH to LOW.

Continued on next page

## Continued from previous page

Fail-safe as implemented on the LVDS32A relies not on bias circuits but on a window-comparator circuit to monitor the differential voltage at the receiver input pins. The window comparator senses when the input differential is less than 80 mV and drives the output to a logic HIGH state. Because the new Active Fail-Safe requires no external resistor bias network or internal bias current to generate an offset, it neither affects the receiver input threshold nor adds any significant bus loading. The window comparator operates over the entire input common-mode range of the receiver. Therefore, Active Fail-Safe operates even when an external common-mode voltage is applied.

## Active Fail-Safe operation

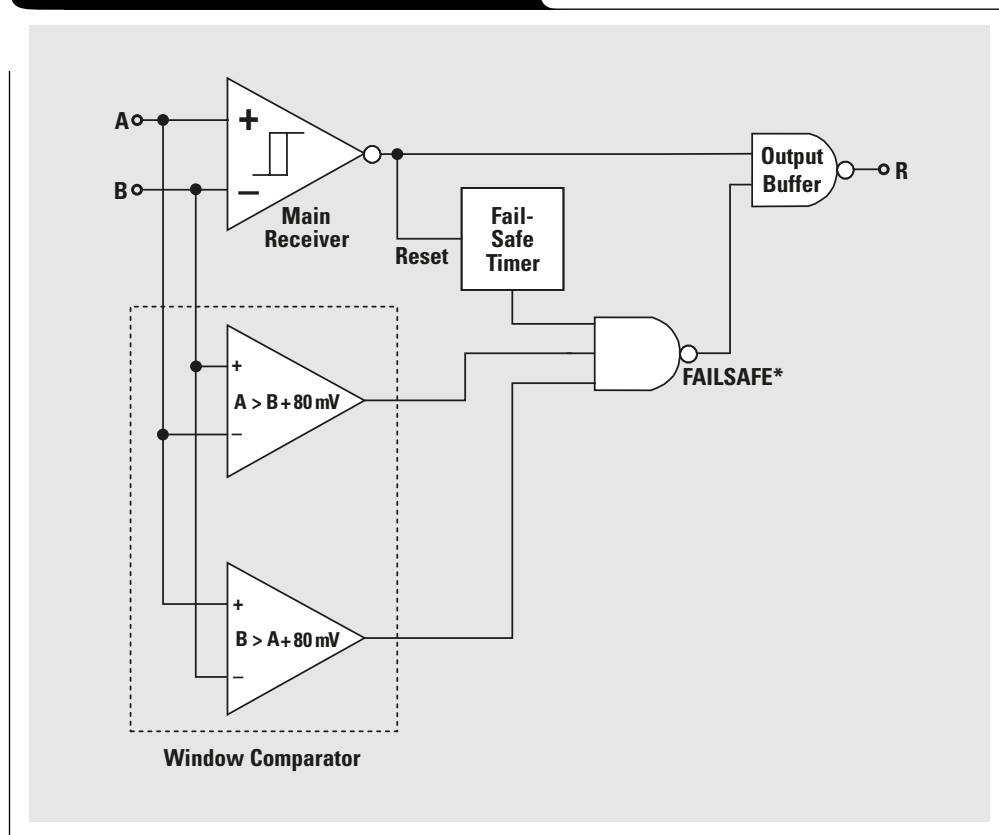
Figure 3 shows one of the LVDS32A receiver channels with Active Fail-Safe. It consists of a main receiver that can respond to a high-speed input differential signal. Also connected to the input pair are two fail-safe receivers that form a window comparator. The window comparator has a much slower response than the main receiver and detects when the input differential falls below 80 mV. A 600-ns fail-safe timer filters the window comparator outputs. When FAILSAFE\* is asserted, the fail-safe logic drives the main receiver output to a logic HIGH.

During normal operation, the main receiver tracks the input signal. It switches when the input signal changes polarity and exceeds 50 mV of hysteresis. Each time the main receiver switches, the fail-safe timer resets and begins timing from zero.

The window comparator monitors both inputs on a continuous basis to detect a loss of input signal. If the two inputs are within 80 mV of each other, the window comparator outputs are driven HIGH. Then the window-comparator outputs are gated with the fail-safe timer. If the timer is allowed to reach its maximum value and the window comparator still detects a low differential input, the receiver output is driven to a logic HIGH state.

Under normal conditions and when the timer expires, the input differential signal is greater than 100 mV and, as illustrated in Figure 4, FAILSAFE\* is not asserted. Here, the input signal begins with A greater than B by 400 mV. The input then switches polarity, and B is greater than A by 100 mV. When the input switches, the output of the receiver is driven LOW (upper trace of Figure 4) and the fail-safe timer begins timing. After approximately 600 ns, the timer output is set HIGH and enables the window comparator to drive the FAILSAFE\* node. Since the difference between inputs is 100 mV (greater than the

Figure 3. Receiver with Active Fail-Safe



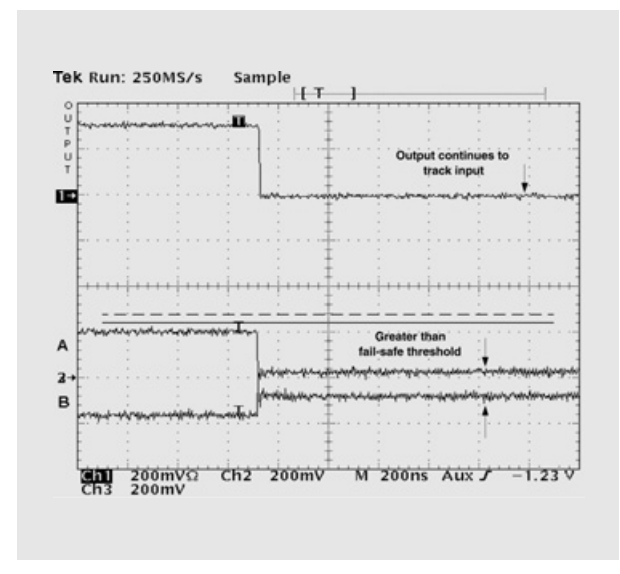
fail-safe threshold), FAILSAFE\* is not asserted, and output node R remains at logic LOW, tracking the input signal.

If the fail-safe timer expires and the input differential is less than 80 mV, FAILSAFE\* is asserted and output node R of the receiver is driven to logic HIGH. Figure 5 illustrates this condition. The input signal begins with A greater than B by 400 mV. The input then switches polarity with B greater than A by approximately 50 mV. When the input switches, the receiver output is driven LOW and the fail-safe timer is reset and begins timing. When the timer expires, since B is greater than A by only 50 mV, FAILSAFE\* is asserted. Figure 5 illustrates the receiver output R being driven HIGH 600 ns after the switch, even though B is greater than A (normally a LOW output condition). This figure demonstrates how Active Fail-Safe functions when a valid input signal is lost.

After the fail-safe function has been asserted, the window comparator and logic continue to drive the output to a logic HIGH as long as the inputs remain within 80 mV of each other. If a valid differential signal is restored at the input, one window-comparator output is driven LOW, and the fail-safe signal is driven HIGH. The receiver then resumes tracking the input signal. Figure 6 illustrates this, starting with B greater than A by 50 mV and FAILSAFE\* asserted (the fail-safe signal drives the output to logic HIGH). The input signal then increases in magnitude where B is greater than A by 400 mV. FAILSAFE\* then is deasserted, and the receiver begins tracking the input signal, driving the output node R to a LOW state.

If the main receiver does not switch when the input is restored, the fail-safe timer does not reset. Thus, if the input signal subsequently is reduced in amplitude with no reversal of polarity, fail-safe will immediately resume control of the receiver output. If the application of the valid signal results in the main receiver switching, the fail-safe timer is

Figure 4. Receiver operation with valid inputs



reset, and any subsequent signal loss will not be detected until the timer is allowed to reach its maximum value.

Note that Active Fail-Safe relies on the main receiver hysteresis (50 mV) to keep FAILSAFE\* asserted. If external noise is large enough to cause the main receiver to switch, the fail-safe timer is reset and the fail-safe function is disabled. FAILSAFE\* will not be reasserted until the input noise is less than the receiver hysteresis for the entire fail-safe timer period.

Continued on next page

Figure 5. Receiver operation with invalid inputs

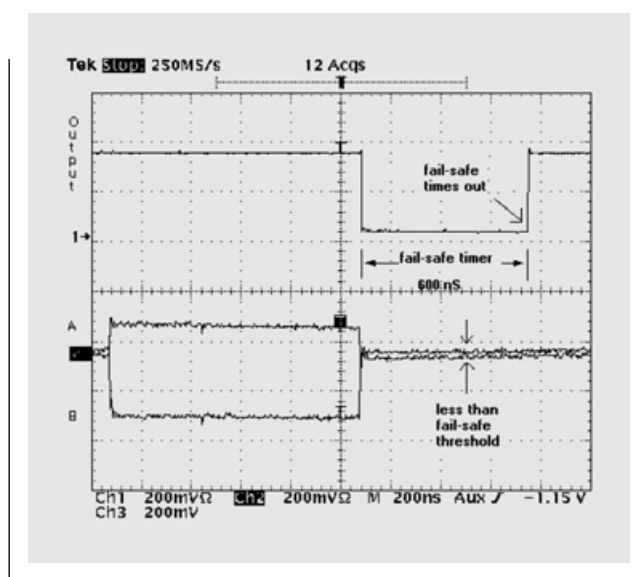
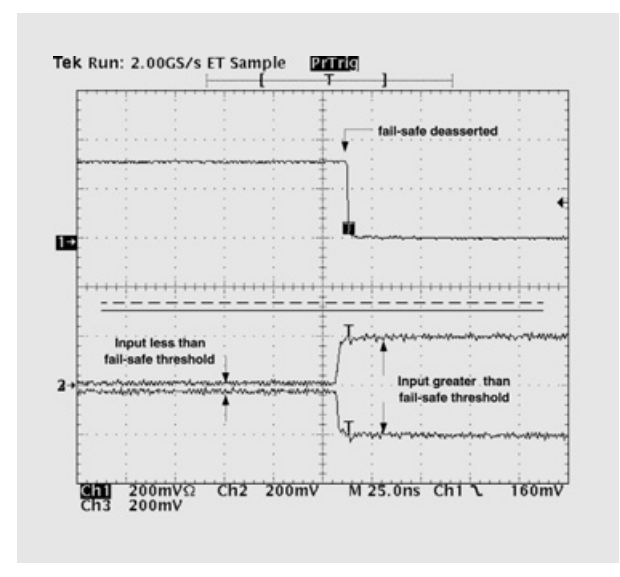


Figure 6. Restoration of valid input signal



Continued from previous page

### Active Fail-Safe-supported conditions

Active Fail-Safe guarantees that the output is driven to the fail-safe state when the input pins are shorted (from a crushed cable), left open (an unused receiver), or connected together through a termination resistor when the line driver is disabled or removed.

Following is a detailed summary of the supported fail-safe conditions.

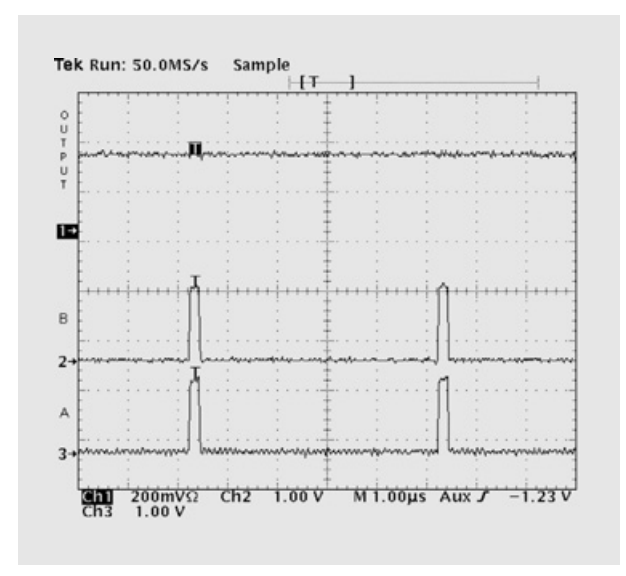
**Open input pins**—In a multipoint or multidrop configuration, unused nodes can be disconnected from the bus. It is also possible to have multichannel receivers with a portion of the channels used and with unused channels left open. If receiver inputs are left floating, both pins are pulled internally to the same potential. Active Fail-Safe detects this condition and drives the receiver output R to a logic HIGH.

**Idle bus**—If the receiver is connected to an idle bus with the driver in the high-impedance state (turned off), the receiver input pins are pulled to nearly the same voltage via the termination resistor. Normally this would be near the receiver's differential threshold, and any external noise would cause the receiver to switch. Active Fail-Safe detects the low differential input and provides a known output state.

**Shorted input pins**—Line-fault conditions (a crushed cable) can result in shorted inputs. Active Fail-Safe detects the input short and drives the output HIGH. Active Fail-Safe functions over the entire receiver input common-mode range, which is important in the presence of bus voltage biases, ground offsets, or common-mode noise.

Figure 7 illustrates the case when both receiver inputs are shorted together. Since FAILSAFE\* is asserted, the output is HIGH. Both pins are held initially at ground potential. Common-mode voltage spikes are then coupled onto both inputs. The output remains at logic HIGH, demonstrating Active Fail-Safe functions over the entire input common-mode range.

**Figure 7. Common-mode fluctuations on disconnected line**



### Conclusion

This article discussed a new type of fail-safe that overcomes the limitations seen in other fail-safe solutions. Active Fail-Safe presents minimal bus loading and therefore does not degrade the signal quality of the driver output as an external bias network would. Active Fail-Safe requires no internal offset in the signal path and therefore does not increase the input differential required for the receiver to switch, as do some integrated fail-safe solutions. Active Fail-Safe operates over the entire input common-mode range and assures a known state in the presence of common-mode noise, dc bias voltages, or system ground offsets.

### Related Web sites

[www.ti.com/sc/docs/products/analog/sn65lvds32a.html](http://www.ti.com/sc/docs/products/analog/sn65lvds32a.html)  
[interface.ti.com](http://interface.ti.com)

## IMPORTANT NOTICE

Texas Instruments Incorporated and its subsidiaries (TI) reserve the right to make corrections, modifications, enhancements, improvements, and other changes to its products and services at any time and to discontinue any product or service without notice. Customers should obtain the latest relevant information before placing orders and should verify that such information is current and complete. All products are sold subject to TI's terms and conditions of sale supplied at the time of order acknowledgment.

TI warrants performance of its hardware products to the specifications applicable at the time of sale in accordance with TI's standard warranty. Testing and other quality control techniques are used to the extent TI deems necessary to support this warranty. Except where mandated by government requirements, testing of all parameters of each product is not necessarily performed.

TI assumes no liability for applications assistance or customer product design. Customers are responsible for their products and applications using TI components. To minimize the risks associated with customer products and applications, customers should provide adequate design and operating safeguards.

TI does not warrant or represent that any license, either express or implied, is granted under any TI patent right, copyright, mask work right, or other TI intellectual property right relating to any combination, machine, or process in which TI products or services are used. Information published by TI regarding third-party products or services does not constitute a license from TI to use such products or services or a warranty or endorsement thereof. Use of such information may require a license from a third party under the patents or other intellectual property of the third party, or a license from TI under the patents or other intellectual property of TI.

Reproduction of information in TI data books or data sheets is permissible only if reproduction is without alteration and is accompanied by all associated warranties, conditions, limitations, and notices. Reproduction of this information with alteration is an unfair and deceptive business practice. TI is not responsible or liable for such altered documentation.

Resale of TI products or services with statements different from or beyond the parameters stated by TI for that product or service voids all express and any implied warranties for the associated TI product or service and is an unfair and deceptive business practice. TI is not responsible or liable for any such statements.

Following are URLs where you can obtain information on other Texas Instruments products and application solutions:

### Products

Amplifiers	<a href="http://amplifier.ti.com">amplifier.ti.com</a>
Data Converters	<a href="http://dataconverter.ti.com">dataconverter.ti.com</a>
DSP	<a href="http://dsp.ti.com">dsp.ti.com</a>
Interface	<a href="http://interface.ti.com">interface.ti.com</a>
Logic	<a href="http://logic.ti.com">logic.ti.com</a>
Power Mgmt	<a href="http://power.ti.com">power.ti.com</a>
Microcontrollers	<a href="http://microcontroller.ti.com">microcontroller.ti.com</a>

### Applications

Audio	<a href="http://www.ti.com/audio">www.ti.com/audio</a>
Automotive	<a href="http://www.ti.com/automotive">www.ti.com/automotive</a>
Broadband	<a href="http://www.ti.com/broadband">www.ti.com/broadband</a>
Digital control	<a href="http://www.ti.com/digitalcontrol">www.ti.com/digitalcontrol</a>
Military	<a href="http://www.ti.com/military">www.ti.com/military</a>
Optical Networking	<a href="http://www.ti.com/opticalnetwork">www.ti.com/opticalnetwork</a>
Security	<a href="http://www.ti.com/security">www.ti.com/security</a>
Telephony	<a href="http://www.ti.com/telephony">www.ti.com/telephony</a>
Video & Imaging	<a href="http://www.ti.com/video">www.ti.com/video</a>
Wireless	<a href="http://www.ti.com/wireless">www.ti.com/wireless</a>

## TI Worldwide Technical Support

### Internet

**TI Semiconductor Product Information Center Home Page**  
[support.ti.com](http://support.ti.com)

**TI Semiconductor KnowledgeBase Home Page**  
[support.ti.com/sc/knowledgebase](http://support.ti.com/sc/knowledgebase)

### Product Information Centers

#### Americas

Phone	+1(972) 644-5580	Fax	+1(972) 927-6377
Internet/Email	<a href="http://support.ti.com/sc/pic/americas.htm">support.ti.com/sc/pic/americas.htm</a>		

#### Europe, Middle East, and Africa

Phone			
Belgium (English)	+32 (0) 27 45 54 32	Netherlands (English)	+31 (0) 546 87 95 45
Finland (English)	+358 (0) 9 25173948	Russia	+7 (0) 95 7850415
France	+33 (0) 1 30 70 11 64	Spain	+34 902 35 40 28
Germany	+49 (0) 8161 80 33 11	Sweden (English)	+46 (0) 8587 555 22
Israel (English)	1800 949 0107	United Kingdom	+44 (0) 1604 66 33 99
Italy	800 79 11 37		
Fax	+(49) (0) 8161 80 2045		
Internet	<a href="http://support.ti.com/sc/pic/euro.htm">support.ti.com/sc/pic/euro.htm</a>		

#### Japan

Fax			
International	+81-3-3344-5317	Domestic	0120-81-0036
Internet/Email			
International	<a href="http://support.ti.com/sc/pic/japan.htm">support.ti.com/sc/pic/japan.htm</a>		
Domestic	<a href="http://www.tij.co.jp/pic">www.tij.co.jp/pic</a>		

#### Asia

Phone			
International	+886-2-23786800		
Domestic	Toll-Free Number		
Australia	1-800-999-084	New Zealand	0800-446-934
China	800-820-8682	Philippines	1-800-765-7404
Hong Kong	800-96-5941	Singapore	800-886-1028
Indonesia	001-803-8861-1006	Taiwan	0800-006800
Korea	080-551-2804	Thailand	001-800-886-0010
Malaysia	1-800-80-3973		
Fax	886-2-2378-6808	Email	<a href="mailto:tiasia@ti.com">tiasia@ti.com</a>
Internet	<a href="http://support.ti.com/sc/pic/asia.htm">support.ti.com/sc/pic/asia.htm</a>		<a href="mailto:ti-china@ti.com">ti-china@ti.com</a>

**C011905**

**Safe Harbor Statement:** This publication may contain forward-looking statements that involve a number of risks and uncertainties. These "forward-looking statements" are intended to qualify for the safe harbor from liability established by the Private Securities Litigation Reform Act of 1995. These forward-looking statements generally can be identified by phrases such as "TI or its management believes," "expects," "anticipates," "foresees," "forecasts," "estimates" or other words or phrases of similar import. Similarly, such statements herein that describe the company's products, business strategy, outlook, objectives, plans, intentions or goals also are forward-looking statements. All such forward-looking statements are subject to certain risks and uncertainties that could cause actual results to differ materially from those in forward-looking statements. Please refer to TI's most recent Form 10-K for more information on the risks and uncertainties that could materially affect future results of operations. We disclaim any intention or obligation to update any forward-looking statements as a result of developments occurring after the date of this publication.

**Trademarks:** All trademarks are the property of their respective owners.

Mailing Address: Texas Instruments  
Post Office Box 655303  
Dallas, Texas 75265

© 2005 Texas Instruments Incorporated

SLYT154