

Synchronous buck regulator design using the TI TPS5211 high-frequency hysteretic controller

By Rais Miftakhutdinov

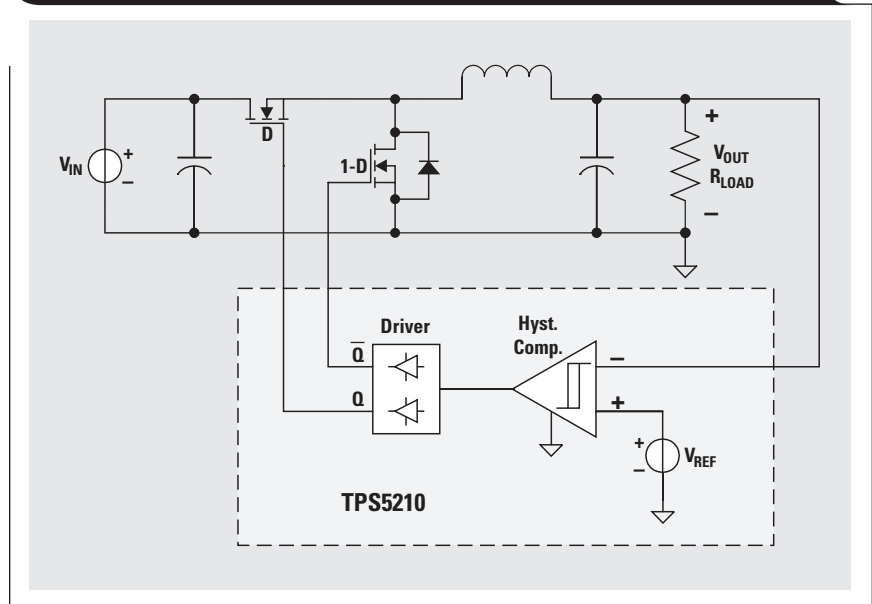
System Specialist, Power Management

Hysteretic mode control, which is implemented in TI's TPS5210 family of controllers, has become very popular for use in fast-transient-response power supplies for microprocessors and DSPs or other high-slew-rate transition loads, because it is a very simple solution with excellent dynamic characteristics. An example of a synchronous buck converter using a hysteretic controller is shown in Figure 1.

A hysteretic controller is a self-oscillation circuit that regulates output voltage by keeping it within a hysteresis window set by a reference voltage regulator and comparator. The actual output ripple voltage is the combination of the hysteresis voltage, overshoot caused by internal delays, and the output capacitor characteristics. Figure 2 shows a hysteresis window voltage (V_{HI} to V_{LO}) and the output voltage ripple (V_{MAX} to V_{MIN}).

Unlike other control approaches, this device does not have a slow feedback loop and reacts on the load current transient in the same switching cycle that the transient occurs. The transient response time depends only on delays in the hysteretic comparator and drive circuitry. The high-frequency noise filter in the input of the comparator also adds some delay. These delays depend on the level of selected technology and therefore, the hysteretic control has the fastest transient response compared to other control approaches. The other advantage of the

Figure 1. Hysteretic control approach with a fast feedback loop



hysteretic controller is that its duty cycle covers the entire range from zero to one. It does not have any restrictions on the power switch conduction interval that most of the other control approaches have. Because of that, the recovery time of the output voltage after the load current transient is shortest. Excellent dynamic characteristics of hysteretic control result in smaller size and lower cost of output filtering.

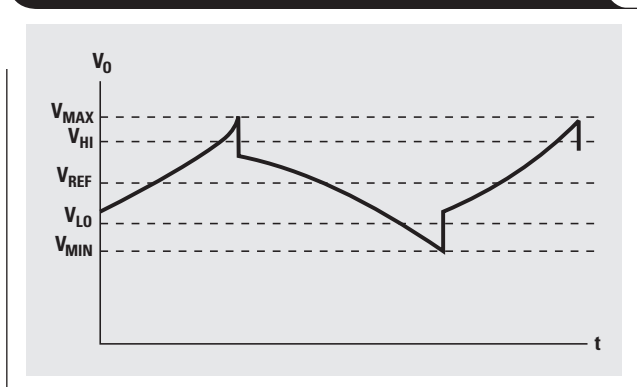
The switching frequency for this control approach depends on the output filter characteristics, input and output voltage, hysteresis window, and internal delays. The simplified equation for the switching frequency is

$$f_S \cong \frac{[V_{OUT} \times (V_{IN} - V_{OUT}) \times ESR]}{(V_{IN} \times L \times \text{Hysteresis window})}$$

where ESR is equivalent series resistance of the output capacitor and L is the output inductor value.

For high-frequency operation (>400 kHz) the hysteresis window might be decreased, but frequency variation becomes significant because of output capacitor parasitics, delays, and noise influence. The other problem relates to the type of output capacitor. One can see from the switching frequency equation that it is proportional to ESR. This means that using an "ideal" capacitor with very low ESR (like connecting many ceramic capacitors in parallel) is a

Figure 2. Output ripple of hysteretic regulator



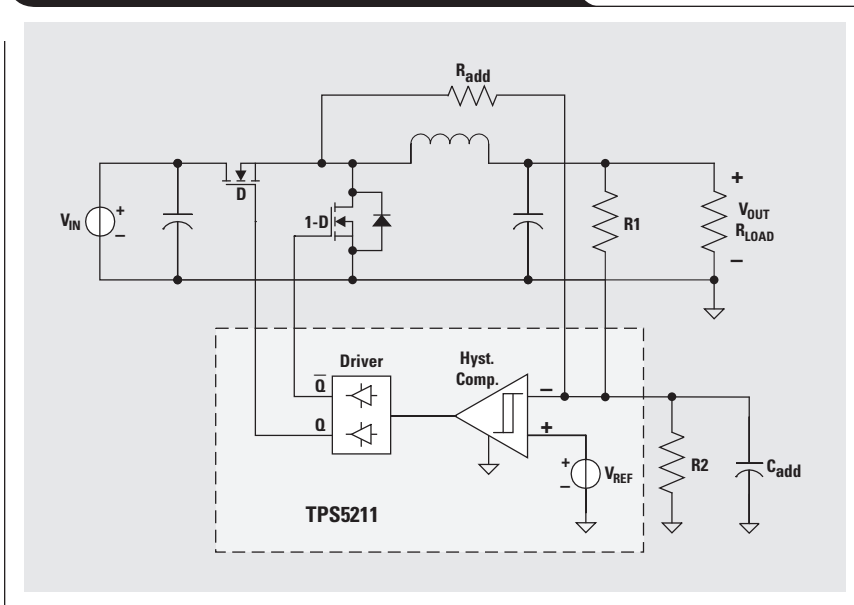
problem because the operating frequency becomes relatively low. The TI TPS5211 hysteretic controller overcomes these problems.

TPS5211 description

A functional block diagram of the TPS5211 controller is the same as for the TPS5210. The differences relate to parameters and characteristics specified for higher-frequency operation (up to 700 kHz). Also, there are a few external components that have to be added to a dc-to-dc converter. A simplified diagram of an asynchronous buck converter using the TPS5211 hysteretic controller is shown in Figure 3.

The additional $R_{add} - C_{add}$ circuitry is added to the dc-to-dc regulator. R_{add} is connected between the input of the hysteresis comparator and the midpoint of the power switches. C_{add} is connected between the input of the comparator and the ground. This $R_{add} - C_{add}$ circuitry forms an additional ramp signal through the input of the hysteretic comparator. The two signals are summed through the inputs of the comparator—the ramp signal from $R_{add} - C_{add}$ circuitry and the signal from the output of converter. By proper selection of R_{add} and C_{add} one can get the amplitude of the additional ramp signal which is greater than the output ripple of the converter. As the result, the switching frequency is higher while the output ripple becomes lower. The switching frequency depends on $R_{add} - C_{add}$ values and does not depend on the output filter characteristics including the ESR, ESL, and C of the

Figure 3. Synchronous buck converter with TPS5211 hysteretic controller



output capacitor. The simplified equation for the switching frequency of the TPS5211 controller is

$$f_s = 1/T_s,$$

$$T_s \cong \frac{V_{IN} \times R_{add} \times C_{add} \times \text{Hysteresis window}}{V_{REF} \times (V_{IN} - V_{REF})} +$$

$$T_{DELAY} \times \left(2 + \frac{V_{REF}}{V_{IN} - V_{REF}} + \frac{V_{IN} - V_{REF}}{V_{REF}} \right),$$

where T_{DELAY} characterizes comparator and drive circuitry delays.

At the same time, the dc feedback signal from the output of the converter controls the dc level of the output voltage, which is defined by

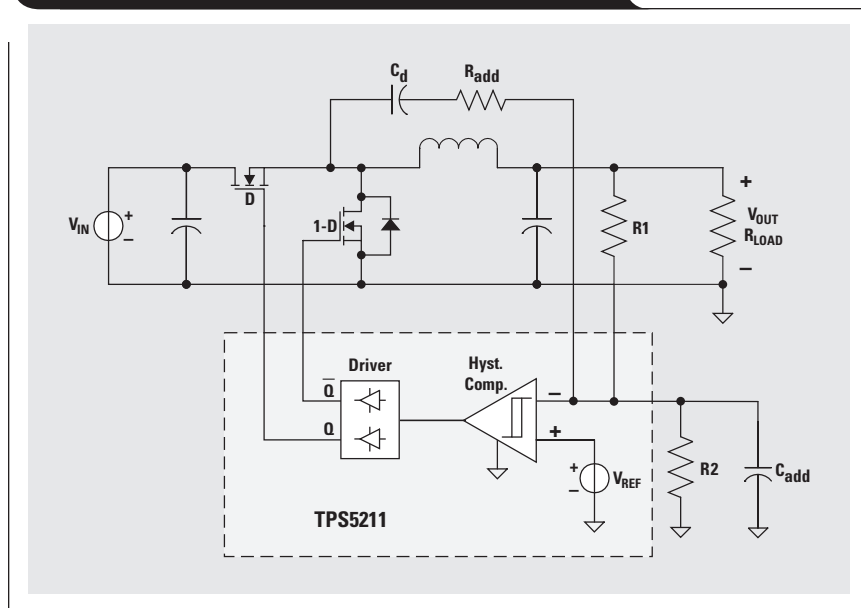
$$V_{OUT} = V_{REF} \times \left[1 + \frac{R1 \times R_{add}}{R2 \times (R1 + R_{add})} \right].$$

One can see that the output voltage V_{OUT} depends on the additional resistor R_{add} . To avoid this dependence, the dc decoupling capacitor C_d can be added in series with R_{add} as shown in Figure 4. The value of this capacitor has to be much higher than C_{add} .

With the decoupling capacitor C_d , the output voltage is defined by

$$V_{OUT} = V_{REF} \times \left(1 + \frac{R1}{R2} \right).$$

Figure 4. Synchronous buck converter with dc decoupling capacitor C_d



Continued on next page

Continued from previous page

The switching frequency does not depend on output capacitor characteristics, so high-frequency, low-cost ceramic or film capacitors can be used in this dc-to-dc converter, maintaining the same excellent load current transient response characteristics.

The $R_{add} - C_{add}$ circuitry adds feed-forward properties to the controller, which also improves the input voltage transient response characteristics. The design aspects, which are specific for the TPS5211 controller (compared to the TPS5210), are described in this application note. The remaining design topics, including the power-train components selection, setting of the hysteresis window, active voltage droop positioning, and overcurrent protection limit are described in the application information section of the product datasheet.¹

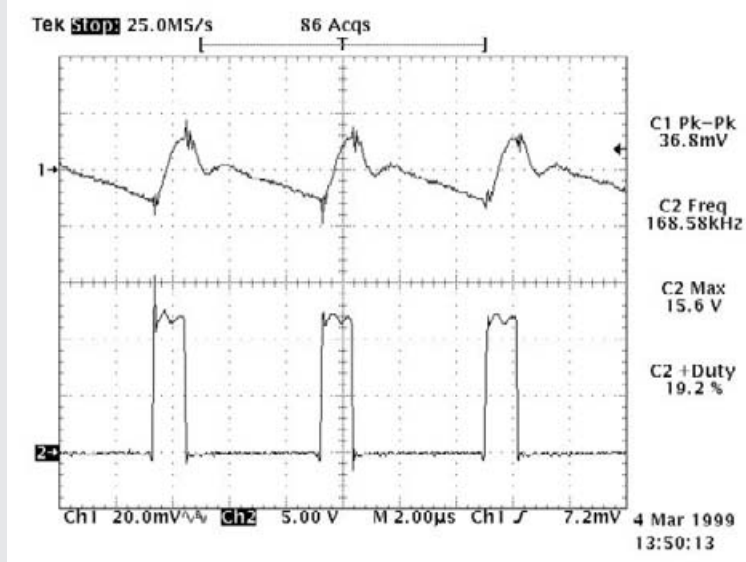
Comparison of TPS5210 and TPS5211 controllers and their application areas

The output voltage ripple and power-switches midpoint waveforms of the same dc-to-dc converter using the TPS5210 or TPS5211 controllers are shown in Figure 5. The converter using the TPS5210 is optimized for low power losses and high efficiency and operates at 168 kHz, while the same converter using the TPS5211 operates at 450 kHz. In spite of that, the hysteresis window has been set at the same level (20 mV for both controllers) and the peak-to-peak output ripple is 36.8 mV for the TPS5210 and 9.6 mV for the TPS5211. The much lower output ripple for a converter using the TPS5211 does not depend on a hysteresis window.

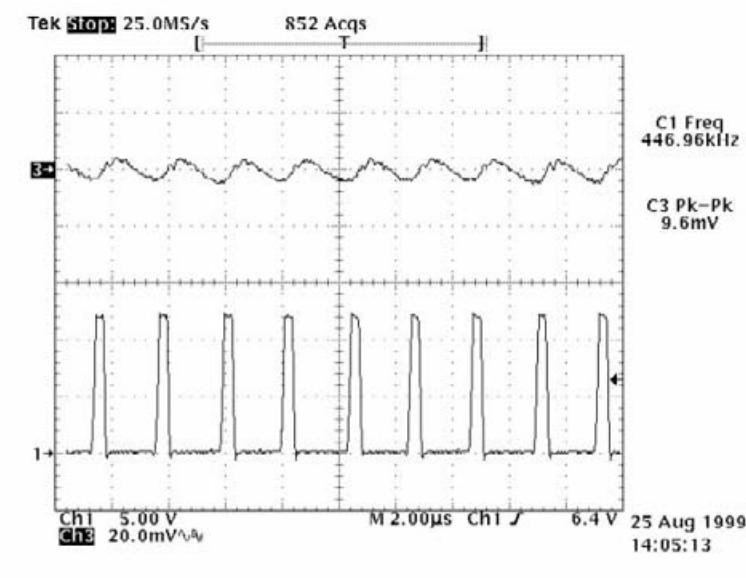
The load current transient response waveforms shown in Figure 6 illustrate that the TPS5211 has the same excellent load current transient response characteristics as the TPS5210.

Both hysteretic controllers have excellent load current transient response characteristics compared with other types of controllers having slow feedback loops like the PWM voltage and current modes. There are application areas where each hysteretic controller has advantages over the other. There are trade-offs relative to which controller is preferable for a specific application and customer requirements. Table 1 compares application areas for TPS5210 and TPS5211 controllers.

Figure 5. TPS5210 and TPS5211 switching waveforms



(A)



(B)

Output voltage ripple and power-switches midpoint waveforms of the same converter using (A) the TPS5210 controller and (B) the TPS5211 with external $R_{add} - C_{add}$ circuitry

Conclusion

The modified hysteretic control approach using TI's TPS5211 controller is described. It is shown that adding simple external circuitry that applies an additional ramp signal to the hysteresis comparator input significantly changes the properties of the dc-to-dc regulator. Its switching frequency becomes independent of output filter characteristics and parasitics, while the output ripple is lower than the hysteresis window. A high switching frequency along with fast transient response enables tight supply voltage tolerance requirements for the next-generation microprocessors and DSPs with a 50–60% lower cost for output filtering.

References

1. <http://www.ti.com/sc/docs/products/msp/pwrngmt/index.htm>
2. D. Briggs, R. Martinez, R. Miftakhutdinov, and D. Skelton, "A Fast, Efficient Synchronous-Buck Controller for Microprocessor Power Supplies," *Proc. of High Frequency Power Conversion Conference* (1998), pp. 182-198.
3. "Designing Fast Response Synchronous Buck Regulator Using the TPS5210," Application Report, Texas Instruments Inc., March 1999, literature number SLVA044.
4. "TPS5211 High Frequency Programmable Synchronous-Buck Regulator Controller," Texas Instruments Inc., September 1999, literature number SLVS243.

Figure 6. Output voltage transient response

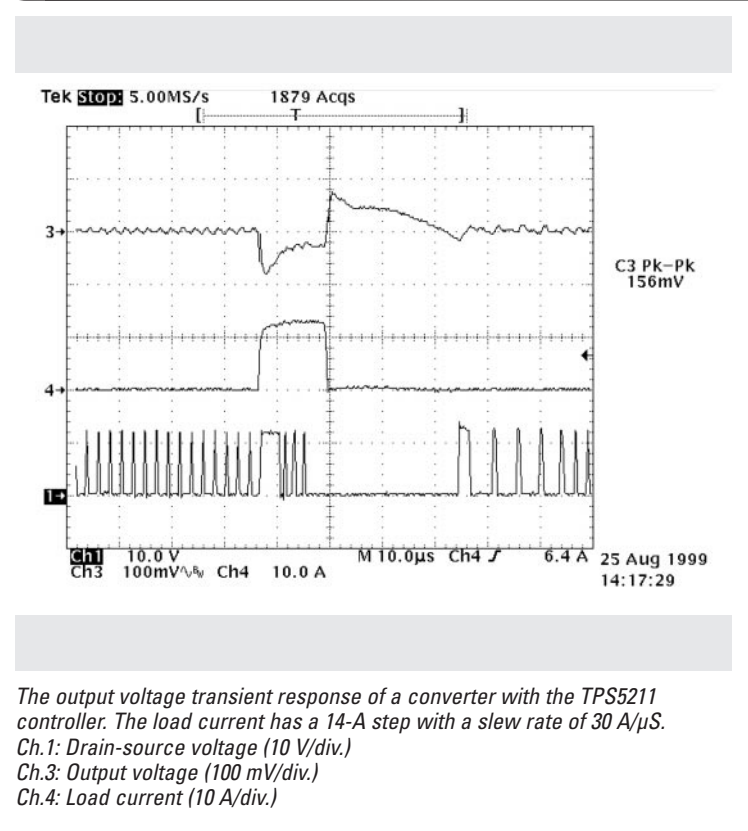


Table 1. Comparison of the TPS5210 and TPS5211 and their applications

CONTROLLER	TPS5210	TPS5211
Switching frequency (kHz)	100–400	400–700
Frequency variation	Depends on output filter characteristics	Independent of output filter and easy to evaluate
Output current (A)	Up to 40	Up to 18–20 (can be increased in multiphase configuration)
Efficiency (%) (Depends on frequency, output current, V_{IN} , V_{OUT} , components, etc.)	85–95	75–85
Input and output filter	Requires bulk electrolytic capacitors, especially if $I_{OUT} > 12$ A, and large inductor	Surface-mount ceramic and POSCAP type capacitors and 40–65% smaller inductors
Components cost	20–40% lower for TPS5211	
System cost including reliability, power losses, cooling, etc.	Can be estimated only during design for a given specific application	
Layout and design	Special attention to the noise-sensitive places like hysteresis comparator and sample-hold circuitry	Special attention not to exceed frequency and I_{CC} limits. High-frequency dc-to-dc converter design rules.
Compatibility with the whole system	For high-current applications it is difficult to meet high-density, minimum-size requirements	A dc-to-dc converter can be placed close to microprocessor or DSP to decrease the number of decoupling capacitors

IMPORTANT NOTICE

Texas Instruments Incorporated and its subsidiaries (TI) reserve the right to make corrections, modifications, enhancements, improvements, and other changes to its products and services at any time and to discontinue any product or service without notice. Customers should obtain the latest relevant information before placing orders and should verify that such information is current and complete. All products are sold subject to TI's terms and conditions of sale supplied at the time of order acknowledgment.

TI warrants performance of its hardware products to the specifications applicable at the time of sale in accordance with TI's standard warranty. Testing and other quality control techniques are used to the extent TI deems necessary to support this warranty. Except where mandated by government requirements, testing of all parameters of each product is not necessarily performed.

TI assumes no liability for applications assistance or customer product design. Customers are responsible for their products and applications using TI components. To minimize the risks associated with customer products and applications, customers should provide adequate design and operating safeguards.

TI does not warrant or represent that any license, either express or implied, is granted under any TI patent right, copyright, mask work right, or other TI intellectual property right relating to any combination, machine, or process in which TI products or services are used. Information published by TI regarding third-party products or services does not constitute a license from TI to use such products or services or a warranty or endorsement thereof. Use of such information may require a license from a third party under the patents or other intellectual property of the third party, or a license from TI under the patents or other intellectual property of TI.

Reproduction of information in TI data books or data sheets is permissible only if reproduction is without alteration and is accompanied by all associated warranties, conditions, limitations, and notices. Reproduction of this information with alteration is an unfair and deceptive business practice. TI is not responsible or liable for such altered documentation.

Resale of TI products or services with statements different from or beyond the parameters stated by TI for that product or service voids all express and any implied warranties for the associated TI product or service and is an unfair and deceptive business practice. TI is not responsible or liable for any such statements.

Following are URLs where you can obtain information on other Texas Instruments products and application solutions:

Products

Amplifiers	amplifier.ti.com
Data Converters	dataconverter.ti.com
DSP	dsp.ti.com
Interface	interface.ti.com
Logic	logic.ti.com
Power Mgmt	power.ti.com
Microcontrollers	microcontroller.ti.com

Applications

Audio	www.ti.com/audio
Automotive	www.ti.com/automotive
Broadband	www.ti.com/broadband
Digital control	www.ti.com/digitalcontrol
Military	www.ti.com/military
Optical Networking	www.ti.com/opticalnetwork
Security	www.ti.com/security
Telephony	www.ti.com/telephony
Video & Imaging	www.ti.com/video
Wireless	www.ti.com/wireless

TI Worldwide Technical Support

Internet

TI Semiconductor Product Information Center Home Page
support.ti.com

TI Semiconductor KnowledgeBase Home Page
support.ti.com/sc/knowledgebase

Product Information Centers

Americas

Phone	+1(972) 644-5580	Fax	+1(972) 927-6377
Internet/Email	support.ti.com/sc/pic/americas.htm		

Europe, Middle East, and Africa

Phone			
Belgium (English)	+32 (0) 27 45 54 32	Netherlands (English)	+31 (0) 546 87 95 45
Finland (English)	+358 (0) 9 25173948	Russia	+7 (0) 95 7850415
France	+33 (0) 1 30 70 11 64	Spain	+34 902 35 40 28
Germany	+49 (0) 8161 80 33 11	Sweden (English)	+46 (0) 8587 555 22
Israel (English)	1800 949 0107	United Kingdom	+44 (0) 1604 66 33 99
Italy	800 79 11 37		
Fax	+(49) (0) 8161 80 2045		
Internet	support.ti.com/sc/pic/euro.htm		

Japan

Fax			
International	+81-3-3344-5317	Domestic	0120-81-0036
Internet/Email			
International	support.ti.com/sc/pic/japan.htm		
Domestic	www.tij.co.jp/pic		

Asia

Phone			
International	+886-2-23786800		
Domestic	Toll-Free Number		Toll-Free Number
Australia	1-800-999-084	New Zealand	0800-446-934
China	800-820-8682	Philippines	1-800-765-7404
Hong Kong	800-96-5941	Singapore	800-886-1028
Indonesia	001-803-8861-1006	Taiwan	0800-006800
Korea	080-551-2804	Thailand	001-800-886-0010
Malaysia	1-800-80-3973		
Fax	886-2-2378-6808	Email	tiasia@ti.com
Internet	support.ti.com/sc/pic/asia.htm		ti-china@ti.com

C011905

Safe Harbor Statement: This publication may contain forward-looking statements that involve a number of risks and uncertainties. These "forward-looking statements" are intended to qualify for the safe harbor from liability established by the Private Securities Litigation Reform Act of 1995. These forward-looking statements generally can be identified by phrases such as "TI or its management believes," "expects," "anticipates," "foresees," "forecasts," "estimates" or other words or phrases of similar import. Similarly, such statements herein that describe the company's products, business strategy, outlook, objectives, plans, intentions or goals also are forward-looking statements. All such forward-looking statements are subject to certain risks and uncertainties that could cause actual results to differ materially from those in forward-looking statements. Please refer to TI's most recent Form 10-K for more information on the risks and uncertainties that could materially affect future results of operations. We disclaim any intention or obligation to update any forward-looking statements as a result of developments occurring after the date of this publication.

Trademarks: All trademarks are the property of their respective owners.

Mailing Address: Texas Instruments
Post Office Box 655303
Dallas, Texas 75265

© 2005 Texas Instruments Incorporated