

Power management for processor core voltage requirements

By **Adrian Harris** (Email: aharris@ti.com)

Applications Specialist

Introduction

Today's high-performance processors have very stringent power requirements. Typically, the power requirements consist of at least two supply voltage requirements. One voltage requirement is for the processor core voltage, V_{CORE} , while the others are input-output voltage requirements, V_{IO} .

The core-voltage requirement ranges from 0.9 to 1.3 V and is usually defined by specific processor performance criteria. The latest core-supply voltage tolerance requirements are typically $\pm 3\%$. The presence of large current transients makes the task of delivering reliable processor power even more challenging.

To meet these challenges, Texas Instruments (TI) introduces its plug-in power series of fast-transient-response power modules. These high-performance products have been designed to deliver reliable processor core power that is compact and cost-effective.

TMS320TCI648x digital signal processor power requirements

An example of a high-performance processor is TI's new TMS320TCI648x digital signal processor. Upon inspection of this product's datasheet and the associated power requirements, we find the following information.

Voltage tolerances, noise and transients

The voltage tolerances specified in the datasheet include all DC tolerances and the transient response of the power supply. These tolerances include the absolute maximum and minimum levels that must be maintained at the pins of the TCI6488 under all conditions. Special attention to the power supply solution is needed to achieve this level of performance, especially the 3% tolerance on the core power plane (V_{CORE}). In order to maintain the 3% tolerance at the pins, the tolerance must be a combination of the power supply DC output accuracy and the effect of transients. A reasonable goal for the DC power supply output accuracy is 1.5%, leaving 1.5% for the transients. At a nominal 1.0-V V_{CORE} , 3% tolerance is ± 30 mV. This allows 15 mV of DC accuracy from the output of the power supply and another 15 mV due to transients.

With large current transients, a core-voltage requirement of $\pm 3\%$ tolerance and 1 V is nearly impossible to meet using a traditional solution. Usually, a custom-designed power module or an entirely discrete solution with an application specific-control design is required.

Second generation PTH series (T2) power modules

The new T2 series of plug-in power modules shown in Appendix A has a new patent-pending feature called TurboTrans™. TurboTrans technology allows the designer to customize the power module's control design to meet a target voltage-deviation specification. These T2 products offer the following three primary benefits.

Up to 8× reduction in output capacitance — Fewer capacitors means lower cost and saves board space. In applications with high load transients, these savings could easily be as much as the cost of the module itself.

Faster response to load transients — For a given value of output capacitance, the designer will see up to a 50% reduction in the peak deviation of the output voltage following a load transient.

Enhanced stability when used with ultra-low ESR capacitors — Designers can safely use the latest Oscon®, polymer tantalum or *all-ceramic* output capacitors without stability concerns.

As part of the second-generation PTH products, a new line of ultra-fast-transient-response versions has been developed. These products were designed to meet the challenging power requirements of high-speed processors such as the TMS320TCI648x family. The control design is aggressively compensated beyond that of a standard T2 module. This provides an additional improvement in transient response and the lower cost associated with reduced output capacitance.

For example, let's examine the requirements of the TMS320TCI648x DSP above.

- Core voltage (V_{CORE}) = 1 V
- V_{CORE} tolerance = 3% (1.5% for DC tolerance and 1.5% for AC transients)
- Maximum current transition = 5 A
- Maximum peak voltage deviation with transients = $V_{\text{CORE}} \times 1.5\% = 15$ mV
- **Output impedance requirement = 15 mV \div 5 A = 3 mV/A**

In order to meet the voltage tolerance requirement for the TMS320TCI648x, the power supply must have an output impedance of 3 mΩ or less. This requirement is beyond the capability of any standard, "off-the-shelf" power module.

Figure 1 shows that the competitive module cannot meet the 3-mΩ requirement. Even with a standard PTH08T240W module, the low-impedance requirement cannot be achieved without a large amount of capacitance. The PTH08T240F module, however, can meet the requirement with only 3000 μF of external output capacitance. Typical designs are shown in Appendix B.

Summary

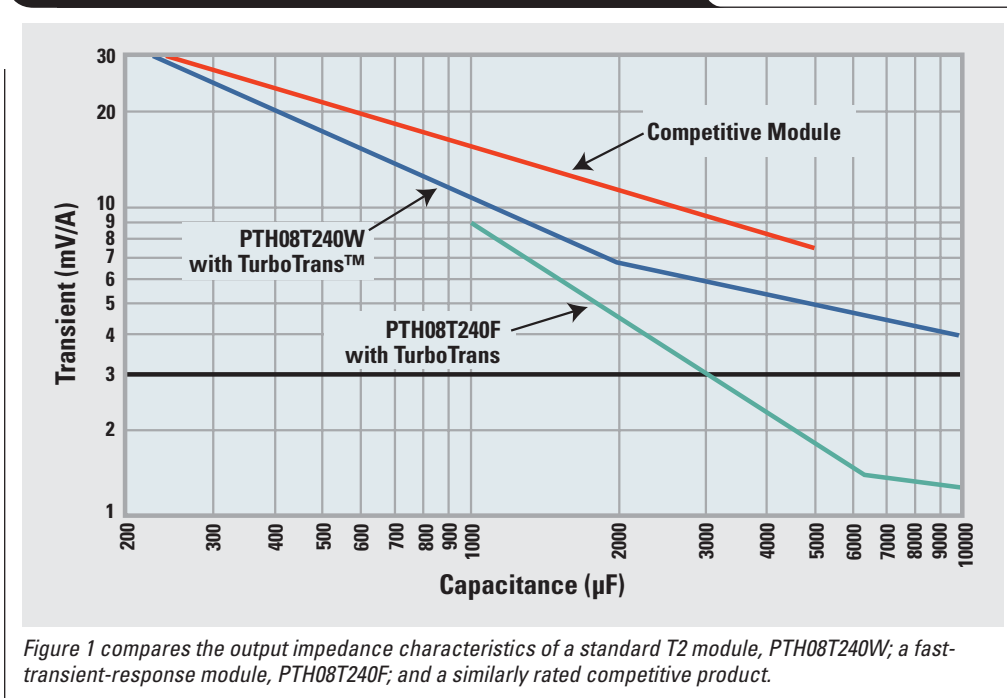
TI's new line of ultra-fast-transient-response modules was designed to meet the challenging supply-voltage

requirements of the latest system processors. These modules permit system designers to optimize transient performance while minimizing the need for output capacitance, thus optimizing board space and reducing system cost.

Related Web sites

- power.ti.com
- dsp.ti.com
- www.ti.com/sc/device/PTH08T240F
- www.ti.com/sc/device/PTH08T240W

Figure 1. Transient response versus capacitance chart



Appendix A: T2 product selection tables

Standard – T2 non-isolated point-of-load modules

V _{IN} (V)	DESCRIPTION	3 A	6 A	10 A	16 A	30 A	50 A
+3.3	T2 PTH	PTH04T260W	PTH04T230W	PTH04T240W	PTH04T220W	PTH04T210W	
+5	T2 PTH	PTH04T260W	PTH04T230W	PTH04T240W	PTH04T220W	PTH05T210W	
		PTH08T260W	PTH08T230W	PTH08T240W	PTH08T220W		
+12	T2 PTH	PTH08T260W	PTH08T230W	PTH08T240W	PTH08T220W	PTH08T210W	PTV08T250W

Released products are listed in **bold red**.

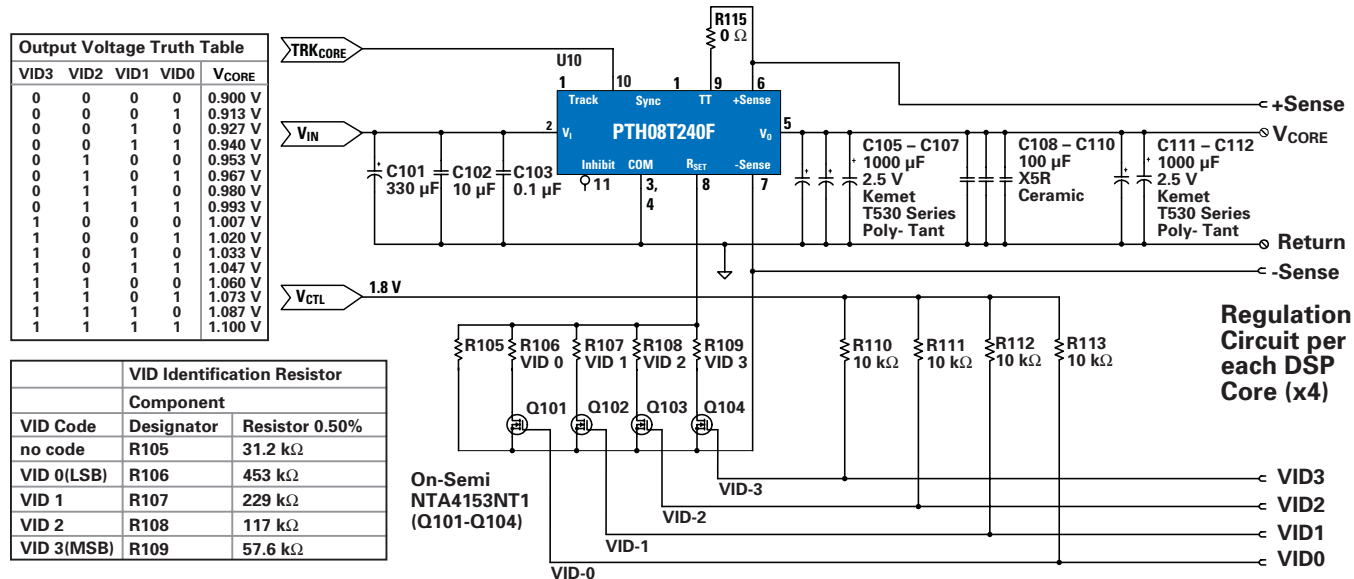
Ultra-fast transient response – T2 non-isolated point-of-load modules

V _{IN} (V)	DESCRIPTION	3 A	6 A	10 A	16 A	30 A	50 A
+3.3	T2-F PTH	PTH04T260F	PTH04T230F	PTH04T240F	PTH04T220F	PTH04T210F	
+5	T2-F PTH	PTH04T260F	PTH04T230F	PTH04T240F	PTH04T220F	PTH05T210F	
		PTH08T260F	PTH08T230F	PTH08T240F	PTH08T220F		
+12	T2-F PTH	PTH08T260F	PTH08T230F	PTH08T240F	PTH08T220F	PTH08T210F	PTV08T250F

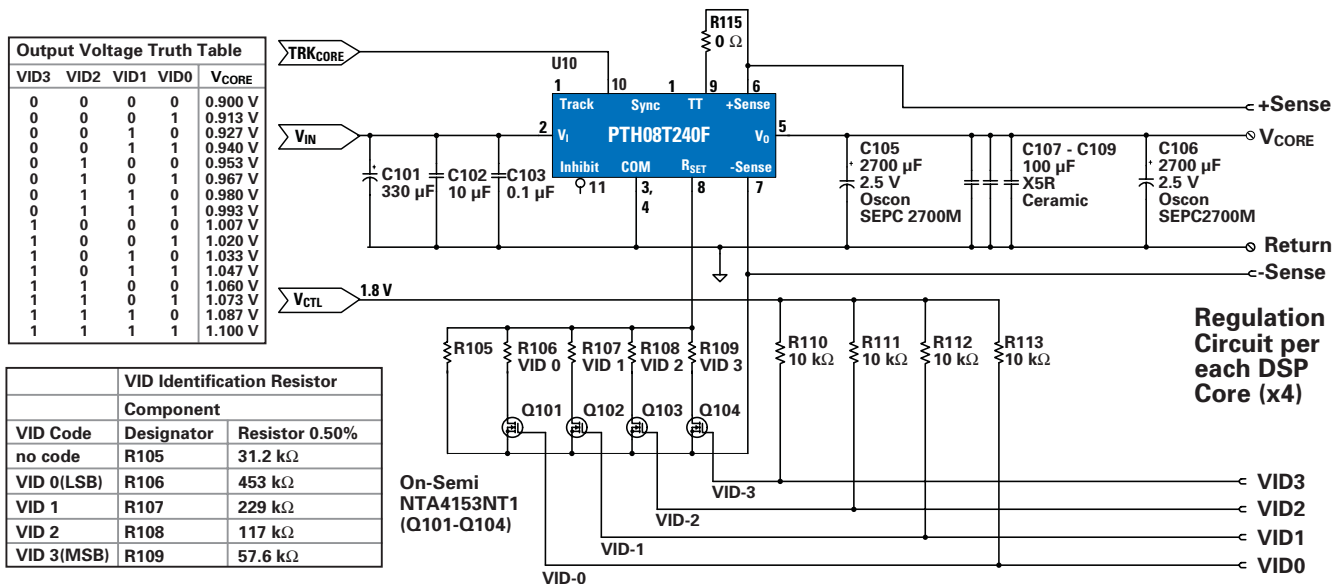
Released products are listed in **bold red**. Depending on the business opportunity and system requirements, additional products may be developed upon request.

Appendix B: Faraday DSP's scaled core expanded designs

PTH08T240F Transient Performance Data (Kemet T530 Series - Polymer Tantalum Bulk Capacitors)



PTH08T240F Transient Performance Data (OSCON SEPC Series Bulk Output Capacitors)



IMPORTANT NOTICE

Texas Instruments Incorporated and its subsidiaries (TI) reserve the right to make corrections, modifications, enhancements, improvements, and other changes to its products and services at any time and to discontinue any product or service without notice. Customers should obtain the latest relevant information before placing orders and should verify that such information is current and complete. All products are sold subject to TI's terms and conditions of sale supplied at the time of order acknowledgment.

TI warrants performance of its hardware products to the specifications applicable at the time of sale in accordance with TI's standard warranty. Testing and other quality control techniques are used to the extent TI deems necessary to support this warranty. Except where mandated by government requirements, testing of all parameters of each product is not necessarily performed.

TI assumes no liability for applications assistance or customer product design. Customers are responsible for their products and applications using TI components. To minimize the risks associated with customer products and applications, customers should provide adequate design and operating safeguards.

TI does not warrant or represent that any license, either express or implied, is granted under any TI patent right, copyright, mask work right, or other TI intellectual property right relating to any combination, machine, or process in which TI products or services are used. Information published by TI regarding third-party products or services does not constitute a license from TI to use such products or services or a warranty or endorsement thereof. Use of such information may require a license from a third party under the patents or other intellectual property of the third party, or a license from TI under the patents or other intellectual property of TI.

Reproduction of information in TI data books or data sheets is permissible only if reproduction is without alteration and is accompanied by all associated warranties, conditions, limitations, and notices. Reproduction of this information with alteration is an unfair and deceptive business practice. TI is not responsible or liable for such altered documentation.

Resale of TI products or services with statements different from or beyond the parameters stated by TI for that product or service voids all express and any implied warranties for the associated TI product or service and is an unfair and deceptive business practice. TI is not responsible or liable for any such statements.

Following are URLs where you can obtain information on other Texas Instruments products and application solutions:

Products

Amplifiers	amplifier.ti.com
Data Converters	dataconverter.ti.com
DSP	dsp.ti.com
Interface	interface.ti.com
Logic	logic.ti.com
Power Management	power.ti.com
Microcontrollers	microcontroller.ti.com

Applications

Audio	www.ti.com/audio
Automotive	www.ti.com/automotive
Broadband	www.ti.com/broadband
Digital control	www.ti.com/digitalcontrol
Military	www.ti.com/military
Optical Networking	www.ti.com/opticalnetwork
Security	www.ti.com/security
Telephony	www.ti.com/telephony
Video & Imaging	www.ti.com/video
Wireless	www.ti.com/wireless

TI Worldwide Technical Support

Internet

TI Semiconductor Product Information Center Home Page
support.ti.com

TI Semiconductor KnowledgeBase Home Page
support.ti.com/sc/knowledgebase

Product Information Centers

Americas

Phone	+1(972) 644-5580	Fax	+1(972) 927-6377
Internet/Email	support.ti.com/sc/pic/americas.htm		

Europe, Middle East, and Africa

Phone			
Belgium (English)	+32 (0) 27 45 54 32	Netherlands (English)	+31 (0) 546 87 95 45
Finland (English)	+358 (0) 9 25173948	Russia	+7 (4) 95 98 10 701
France	+33 (0) 1 30 70 11 64	Spain	+34 902 35 40 28
Germany	+49 (0) 8161 80 33 11	Sweden (English)	+46 (0) 8587 555 22
Israel (English)	180 949 0107	United Kingdom	+44 (0) 1604 66 33 99
Italy	800 79 11 37		
Fax	+49 (0) 8161 80 2045		
Internet	support.ti.com/sc/pic/euro.htm		

Japan

Fax			
International	+81-3-3344-5317	Domestic	0120-81-0036
Internet/Email			
International	support.ti.com/sc/pic/japan.htm		
Domestic	www.tij.co.jp/pic		

Asia

Phone			
International	+886-2-23786800		
Domestic	Toll-Free Number		
Australia	1-800-999-084	Malaysia	1-800-80-3973
China	800-820-8682	New Zealand	0800-446-934
Hong Kong	800-96-5941	Philippines	1-800-765-7404
India	+91-80-41381665 (Toll)	Singapore	800-886-1028
Indonesia	001-803-8861-1006	Taiwan	0800-006800
Korea	080-551-2804	Thailand	001-800-886-0010
Fax	+886-2-2378-6808	Email	tiasia@ti.com
Internet	support.ti.com/sc/pic/asia.htm		
			ti-china@ti.com

C010307

Safe Harbor Statement: This publication may contain forward-looking statements that involve a number of risks and uncertainties. These "forward-looking statements" are intended to qualify for the safe harbor from liability established by the Private Securities Litigation Reform Act of 1995. These forward-looking statements generally can be identified by phrases such as "TI or its management believes," "expects," "anticipates," "foresees," "forecasts," "estimates" or other words or phrases of similar import. Similarly, such statements herein that describe the company's products, business strategy, outlook, objectives, plans, intentions or goals also are forward-looking statements. All such forward-looking statements are subject to certain risks and uncertainties that could cause actual results to differ materially from those in forward-looking statements. Please refer to TI's most recent Form 10-K for more information on the risks and uncertainties that could materially affect future results of operations. We disclaim any intention or obligation to update any forward-looking statements as a result of developments occurring after the date of this publication.

Trademarks: TurboTrans is a trademark of Texas Instruments. All other trademarks are the property of their respective owners.

Mailing Address: Texas Instruments
Post Office Box 655303
Dallas, Texas 75265

© 2007 Texas Instruments Incorporated

SLYT261