

The architecture of a switched-capacitor charger with fast charging and high efficiency

By **Steven Schnier**, *Systems Engineer, Battery Management Solutions*

Yutian Cui, *Systems Engineer, Battery Management Solutions*

Introduction

Consumers are constantly demanding their smartphones last longer between charging times and charge more quickly. Because of this, smartphone batteries are increasing in both size and charging rates. A 3,000-mAh battery may be capable of charging at 6 A, but charger efficiency and the power dissipation in the phone has been a limiting factor to charging at this high rate.

Table 1 offers a brief history of faster charging from Texas Instruments.

Table 1. Improvements of charging topologies

Charging topology	Charging rate	1-W power-loss charging current	Supporting standard
Standard buck charger	2 to 3 A	2 A	USB 2.0, Battery Charging Specification (BCS) 1.2
Dual buck charger	3 to 4 A	2.5 A	USB 3.1, BCS 1.2 with High Voltage Direct Charge Protocol
Flash charge	4 to 5 A	4.5 A	USB Power Delivery (PD) 3.0 with programmable power supply (PPS)
Switched-capacitor current doubler	4 to 8 A	6.5 A	

With the introduction of USB PD and PPS, the safe and quick charging of large-capacity smartphone batteries is possible with a new switched-capacitor charging system. There are several challenges to overcome in order to deliver high current to a large-capacity battery and the switched-capacitor architecture addresses all of them.

Figure 1 shows the key losses in a typical large-capacity smartphone.

Reducing the current across the cable minimizes I^2R losses in R_{ConA} , R_{Cable} , R_{ConD} and $R_{Control}$. The converter efficiency (η) must be very high to keep power loss and thermals under control. It is important to minimize the battery-connector resistance, R_{ConB} , as the current will be twice that of the USB cable current.

Protections ensure that the charger can monitor all key system aspects for overvoltage, overcurrent and temperature. All USB Type-C™ cables must support a minimum of 3 A at 20 V, but high-power and more-expensive versions can support up to 5 A at 20 V.

The switched-capacitor architecture enables the delivery of high current to the battery while keeping USB cable current and voltage drops low. It's possible to accomplish 6-A battery charging with standard 3-A-capable USB Type-C cables, or up to 10 A with 5-A-capable cables when using switched-capacitor devices in parallel.

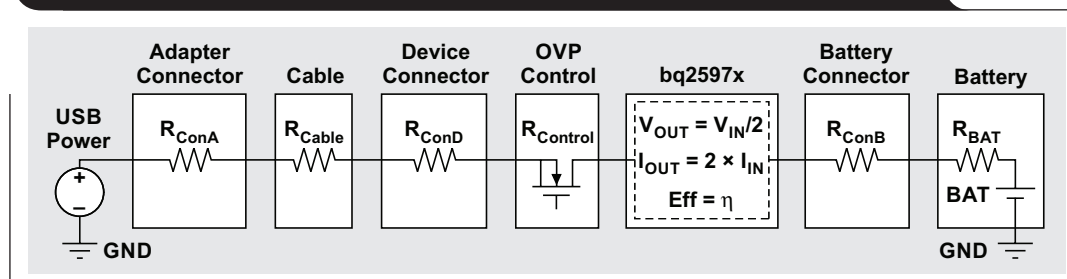
Architecture of a switched-capacitor charger

A typical buck-converter charger can achieve greater than 90% efficiency at 6 A, but that means a dissipation of over 2 W in the phone. A typical thermal budget for a smartphone allows less than 1 W of dissipation. A direct charge solution such as the bq25870 has lower losses in the phone, but the cable current and the charge current are the same.

The switched-capacitor charger can achieve up to 97% efficiency at 6 A delivered to the battery with only 3 A required on the USB Type-C cable. This which means less than 800 mW of dissipation in the phone, while requiring less than 3 A on a standard USB Type-C cable.

The switched-capacitor charger relies on a smart wall adapter to regulate the voltage and current at the input to the charger. The USB PD PPS protocol allows a sink-directed source output. In this case, the sink is the phone

Figure 1. Typical losses in a high-capacity smartphone charging system



and the source is the wall adapter. When the wall adapter is not in current foldback, the phone directs the voltage output in 20-mV steps, acting as a current-limited voltage source. When the wall adapter is in current foldback, the wall adapter maintains the voltage, and the phone directs the output current in 50-mA steps. The performance of the switched-capacitor solution will depend on the type of source.

The switched-capacitor charger uses four switches to alternately charge and discharge C_{FLY} capacitors. Figure 2 shows the simplified circuit, along with the equations for voltage and current during charging and discharging of C_{FLY} capacitors.

In the charging phase (t_1), Q1 and Q3 turn on and Q2 and Q4 turn off. This enables C_{FLY} to be in series with the battery, where C_{FLY} charges while delivering current to the battery. During the discharge phase (t_2), Q1 and Q3 turn off and Q2 and Q4 turn on. During this time, the C_{FLY} capacitor is parallel to the battery and provides charging current to it. The duty cycle is 50%, the battery current is half of the input voltage and the current delivered to the battery is twice the input current.

Figure 3 shows the waveforms of the battery current and voltage. This figure models the equivalent series resistance of the fly capacitor, as well as the resistances of the switches.

Figure 2. Simplified switched-capacitor circuit and equations

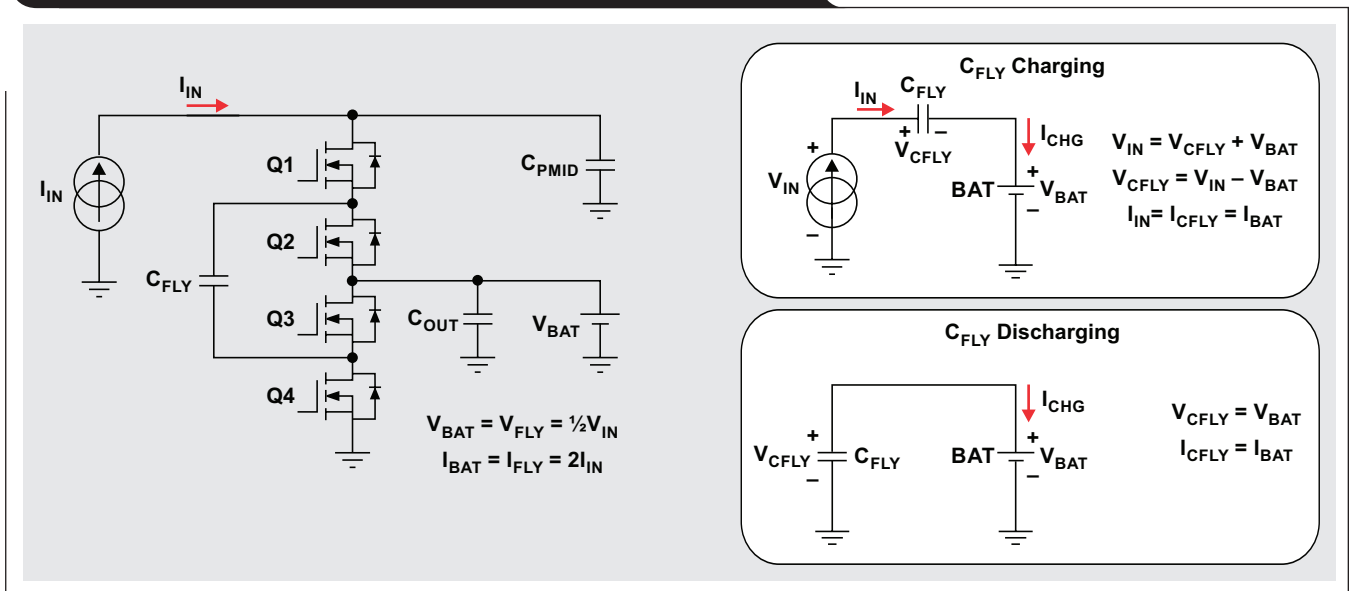


Figure 3. Switched-capacitor voltage and current waveforms for a constant current source

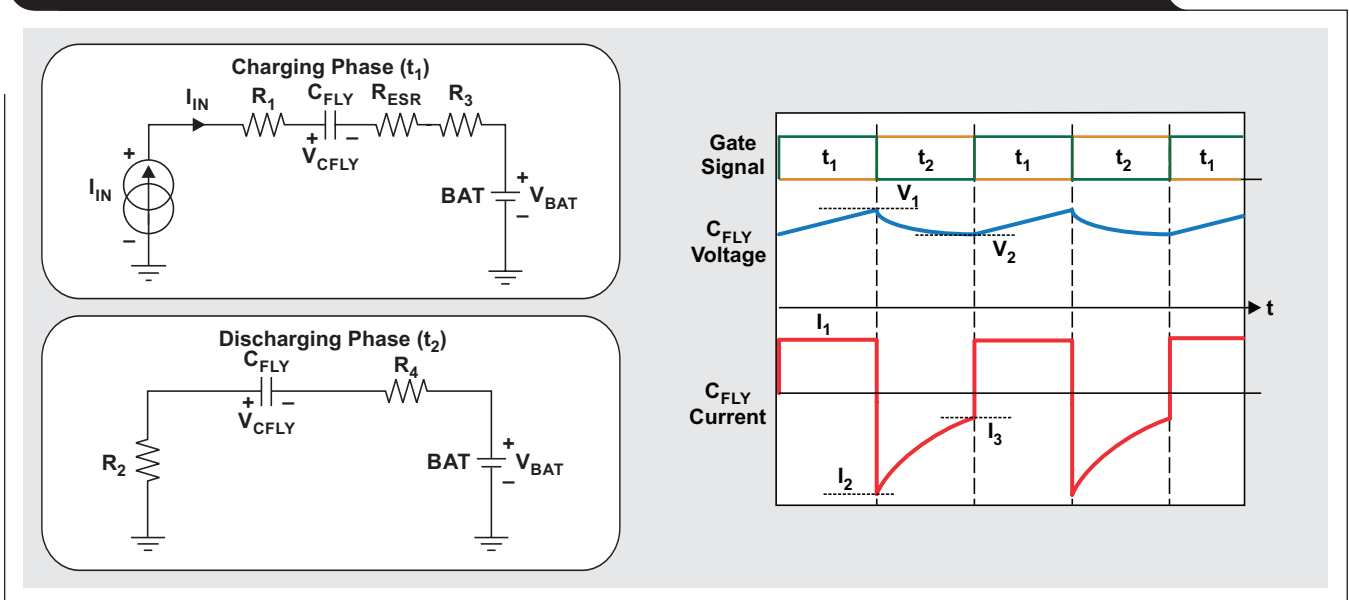
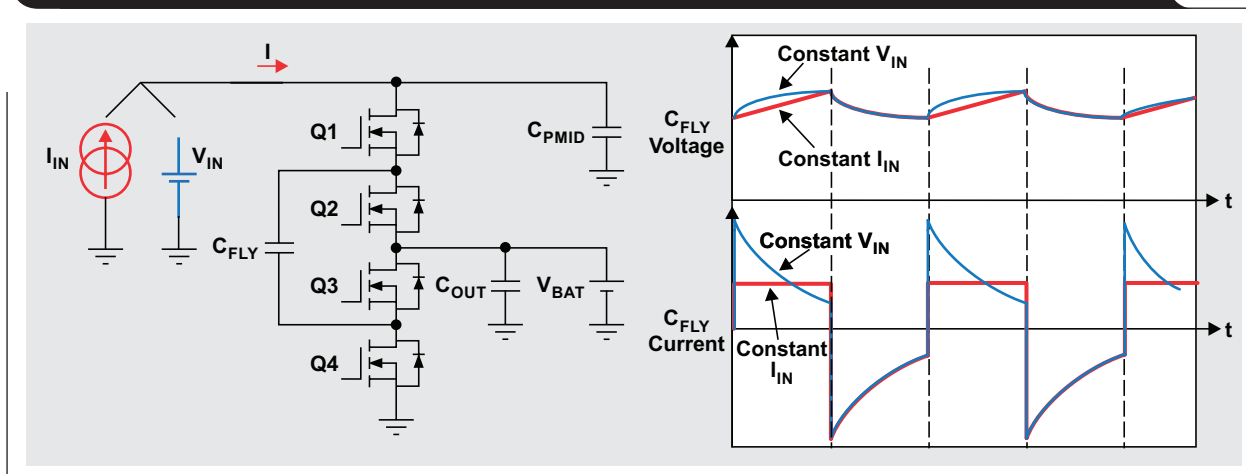


Figure 4. Switched-capacitor voltage and current waveforms for a constant-current source



When using a constant-current source, the C_{FLY} current is constant while C_{FLY} charges. If using a constant-voltage source, the C_{FLY} current follows the resistor-capacitor (RC) constant curve as shown in Figure 4. Although not significant, the effect of using a voltage source instead of a current source is increased ripple current, increased root-mean-square (RMS) current, and reduced efficiency due to higher conduction losses.

Performance

The most important decision for a switched-capacitor charger is selection of the C_{FLY} capacitor. A minimum of two C_{FLY} capacitors are required per phase, with four being optimal. Additional C_{FLY} capacitors can be used, but returns are diminished by added cost and board space.

Using fewer than four C_{FLY} capacitors results in higher voltage and current ripple, and increased stress on each capacitor. The total effective capacitance should be 24 μF or greater for optimal efficiency. Using four 22- μF capacitors with a 10-V rating will achieve a 24- μF capacitance, taking into account the bias-voltage derating of the ceramic capacitors. A slower switching frequency can increase efficiency, but this also comes at the expense of high current ripple and increased stress on each capacitor.

Figures 5 and 6 show the efficiency for the bq25970 switched-capacitor battery charger. The effects of the number of capacitors and switching frequency are clearly evident.

Smart control

To use the switched-capacitor architecture as a battery charger, a PPS wall adapter must control and monitor the battery voltage and current. The USB PD specification has incorporated support for direct-charge adapters with PPS. The PPS protocol enables switched capacitor chargers, while also supporting legacy USB 2.0, USB 3.1, USB Type-C current or BCS 1.2 voltage and currents.

The wall adapter (source) must protect itself and not rely on the battery charger (sink) for protection. Similarly, the sink must protect itself and not rely on the source for

Figure 5. Efficiency with four C_{FLY} capacitors per phase

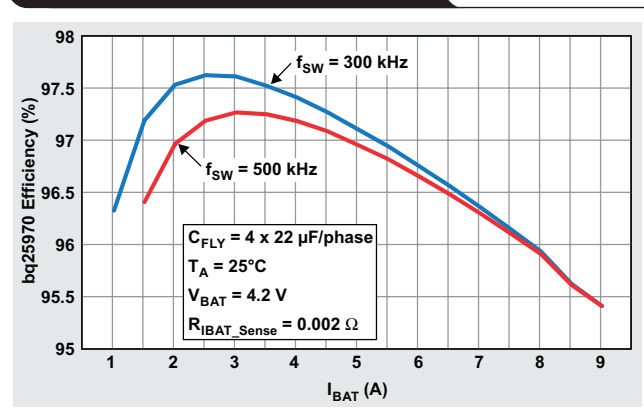


Figure 6. Efficiency with three C_{FLY} capacitors per phase

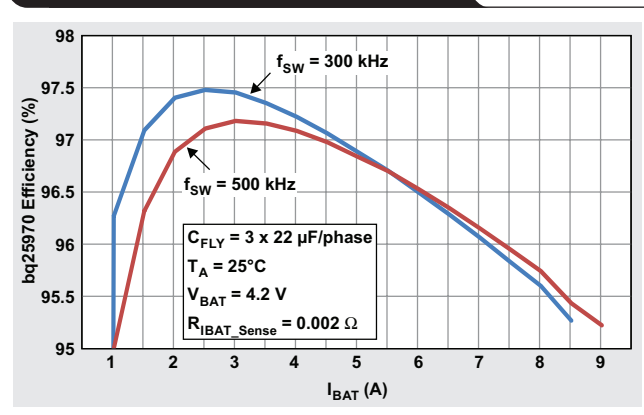
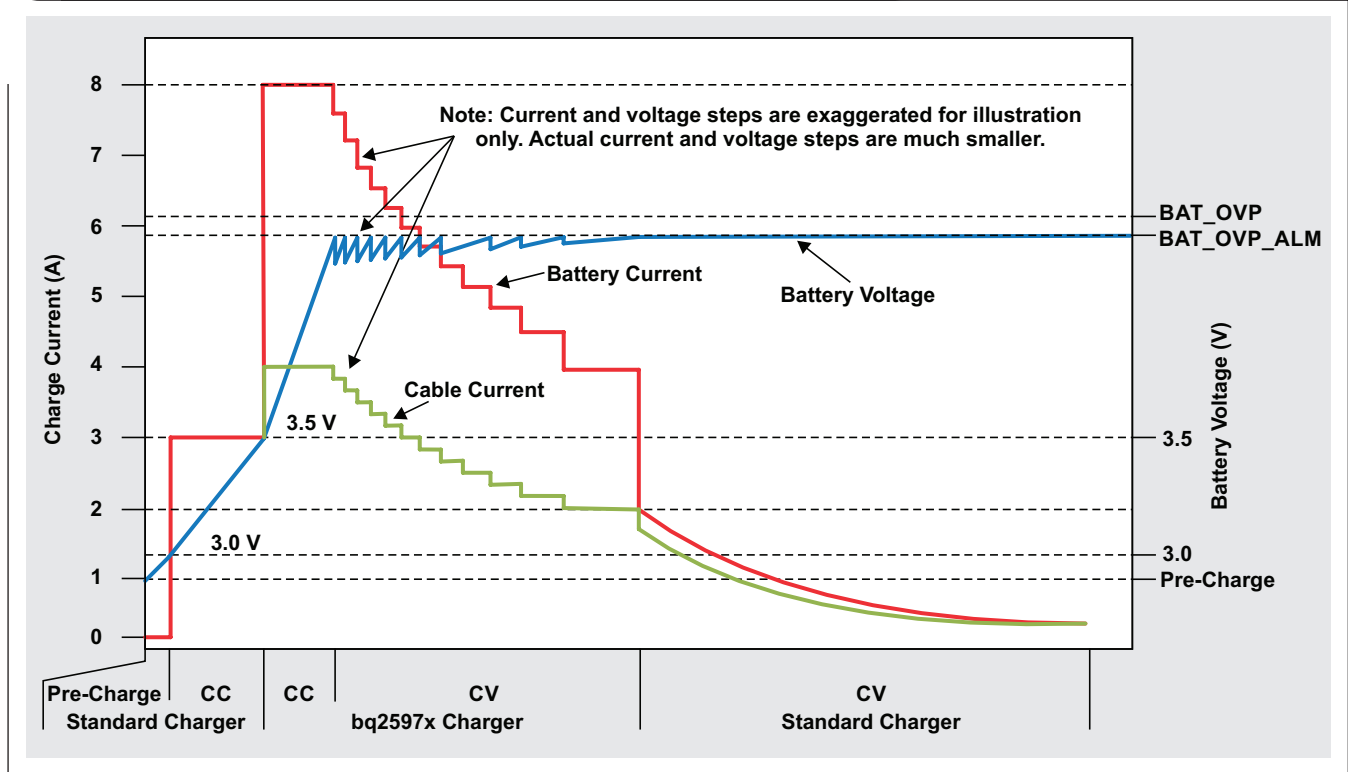


Figure 7. Battery-charging profile for a switched-capacitor solution



protection. The source must also implement overcurrent protection, and for the switched-capacitor architecture, it needs to be adjustable based on the sink requirements. The source may adjust the output voltage in 20-mV increments and the current in 10-mA increments.

The switched-capacitor solution is designed for use with a standard charger for pre-charge and final termination. The combination of a PPS wall adapter source and a standard charger enables the system to accomplish the battery-charge profile shown in Figure 7.

If the battery being charged is below a predetermined voltage, such as 3.5 V, the standard charger is used during pre-charge and constant-current charging until reaching that voltage. At that time, the phone notifies the PPS source over the communication channels of the Type-C cable to increase the voltage/current to meet the charging requirements.

Once the battery voltage reaches a voltage near the final charging voltage, the PPS reduces the voltage/current in small increments to prevent a battery overvoltage condition.

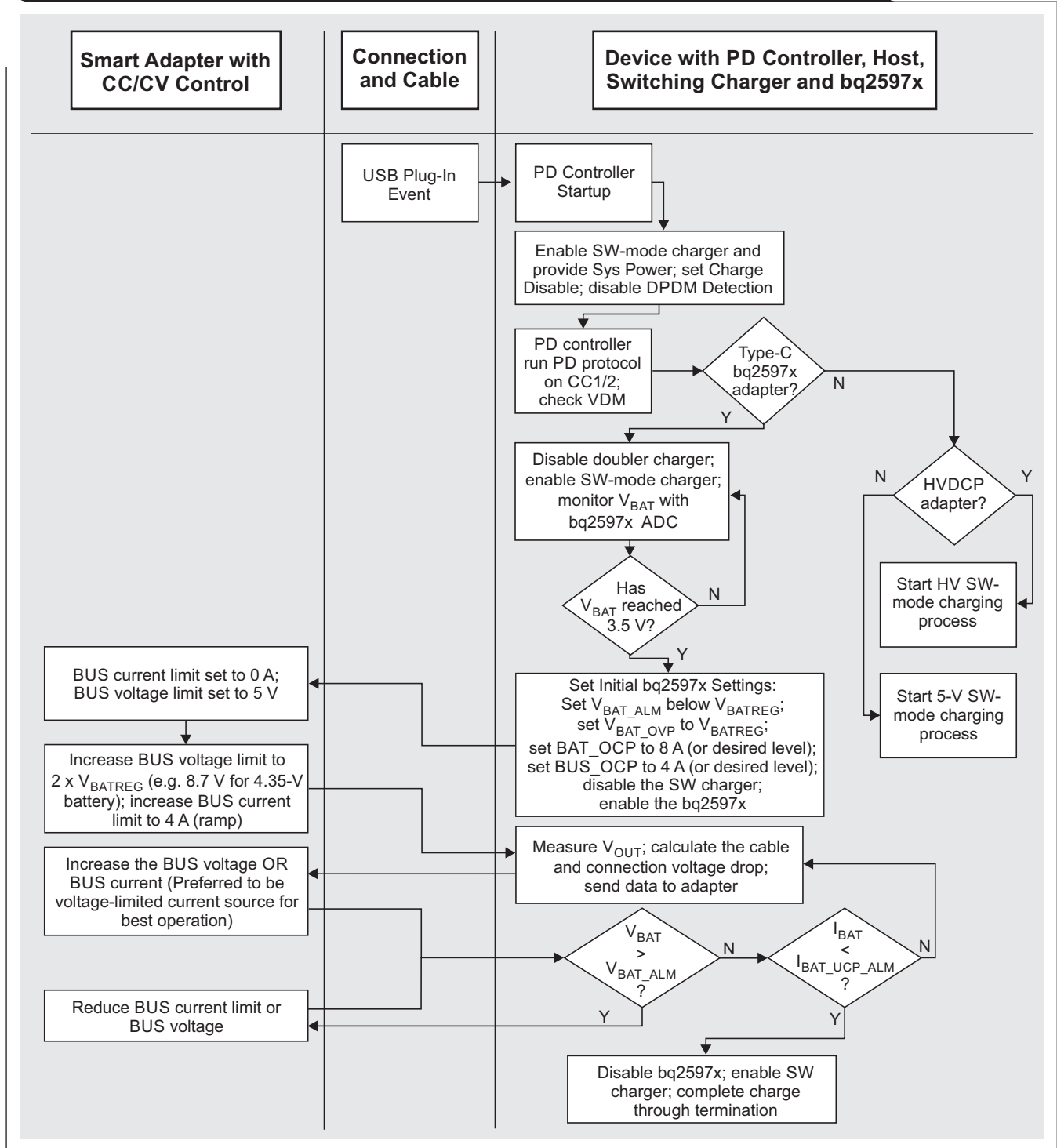
Once the PPS reduces the voltage/current so that the charging current is below the undercurrent threshold for the switched-capacitor device, charging stops and the standard charger resumes charging for current tapering and final termination.

Example of a total system solution

On the following page, Figure 8 shows a flowchart of the charging profile. Initially, only 5 V is present on the USB cable, which is then negotiated depending on the capabilities and state of the sink. A single wall adapter (source) can charge many different types of phones (sinks).

A test system was constructed to implement this flow. The wall adapter used the UCC28740 flyback controller, the UCC24636 synchronous rectifier, the INA199 current shunt monitor, a USB PD controller and an MSP430™ microcontroller to execute the code. The phone side used the bq25970 switched-capacitor charger, the bq25890 switching charger, the TUSB422 USB PD USB Type-C port controller interface (TCPCi) and an MSP430 microcontroller to execute the code.

Figure 8. Simplified flow diagram for a smartphone that is switched-capacitor capable



Figures 9 and 10 show the charge-cycle data and total charge-time data for the test system.

Conclusion

Much faster charging times with lower power dissipation and lower temperatures can be achieved when using USB PD PPS and a switched-capacitor charger for smartphones. The protection and alarm levels should be carefully selected to make sure that they meet the battery and system thermal constraints.

Related Web sites

www.usb.org/developers/powerdelivery/

Product information:

bq25970

bq25890

TUSB422

TS3USB221

UCC28740

UCC24636

INA199

Figure 9. System charge time with 3,200-mAh battery charged at 6 A

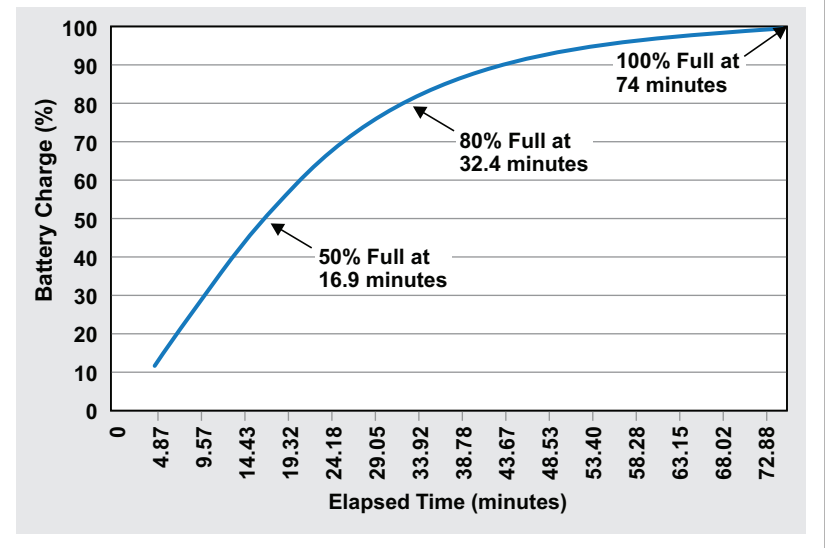
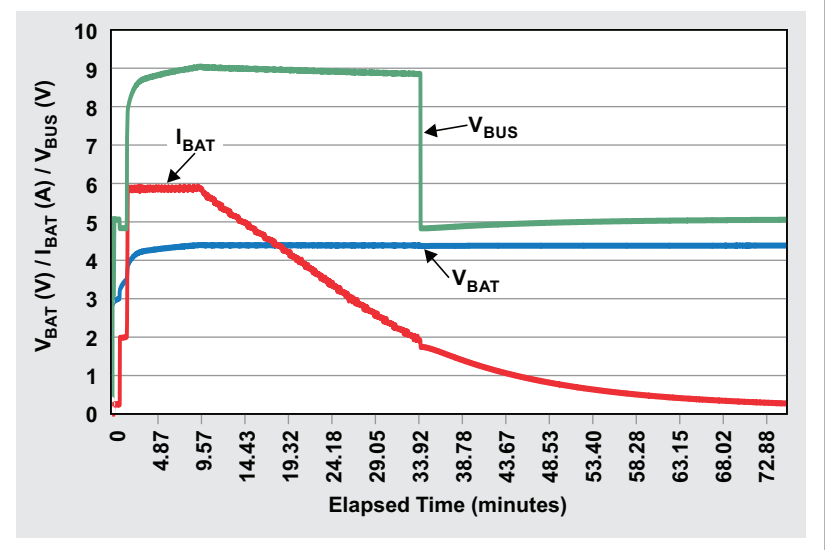


Figure 10. System charge cycle with 3,200-mAh battery charged at 6 A



TI Worldwide Technical Support

TI Support

Thank you for your business. Find the answer to your support need or get in touch with our support center at

www.ti.com/support

China: <http://www.ti.com.cn/guidedsupport/cn/docs/supporthome.tsp>

Japan: <http://www.tij.co.jp/guidedsupport/jp/docs/supporthome.tsp>

Technical support forums

Search through millions of technical questions and answers at TI's E2E™ Community (engineer-to-engineer) at

e2e.ti.com

China: <http://www.deyisupport.com/>

Japan: <http://e2e.ti.com/group/jp/>

TI Training

From technology fundamentals to advanced implementation, we offer on-demand and live training to help bring your next-generation designs to life. Get started now at

training.ti.com

China: <http://www.ti.com.cn/general/cn/docs/gencontent.tsp?contentId=71968>

Japan: <https://training.ti.com/jp>

Important Notice: The products and services of Texas Instruments Incorporated and its subsidiaries described herein are sold subject to TI's standard terms and conditions of sale. Customers are advised to obtain the most current and complete information about TI products and services before placing orders. TI assumes no liability for applications assistance, customer's applications or product designs, software performance, or infringement of patents. The publication of information regarding any other company's products or services does not constitute TI's approval, warranty or endorsement thereof.

A011617

E2E and MSP430 are trademarks of Texas Instruments. USB Type-C is a trademark of the USB Implementers Forum. All other trademarks are the property of their respective owners.

© 2018 Texas Instruments Incorporated.
All rights reserved.



SLYT743

IMPORTANT NOTICE FOR TI DESIGN INFORMATION AND RESOURCES

Texas Instruments Incorporated ("TI") technical, application or other design advice, services or information, including, but not limited to, reference designs and materials relating to evaluation modules, (collectively, "TI Resources") are intended to assist designers who are developing applications that incorporate TI products; by downloading, accessing or using any particular TI Resource in any way, you (individually or, if you are acting on behalf of a company, your company) agree to use it solely for this purpose and subject to the terms of this Notice.

TI's provision of TI Resources does not expand or otherwise alter TI's applicable published warranties or warranty disclaimers for TI products, and no additional obligations or liabilities arise from TI providing such TI Resources. TI reserves the right to make corrections, enhancements, improvements and other changes to its TI Resources.

You understand and agree that you remain responsible for using your independent analysis, evaluation and judgment in designing your applications and that you have full and exclusive responsibility to assure the safety of your applications and compliance of your applications (and of all TI products used in or for your applications) with all applicable regulations, laws and other applicable requirements. You represent that, with respect to your applications, you have all the necessary expertise to create and implement safeguards that (1) anticipate dangerous consequences of failures, (2) monitor failures and their consequences, and (3) lessen the likelihood of failures that might cause harm and take appropriate actions. You agree that prior to using or distributing any applications that include TI products, you will thoroughly test such applications and the functionality of such TI products as used in such applications. TI has not conducted any testing other than that specifically described in the published documentation for a particular TI Resource.

You are authorized to use, copy and modify any individual TI Resource only in connection with the development of applications that include the TI product(s) identified in such TI Resource. NO OTHER LICENSE, EXPRESS OR IMPLIED, BY ESTOPPEL OR OTHERWISE TO ANY OTHER TI INTELLECTUAL PROPERTY RIGHT, AND NO LICENSE TO ANY TECHNOLOGY OR INTELLECTUAL PROPERTY RIGHT OF TI OR ANY THIRD PARTY IS GRANTED HEREIN, including but not limited to any patent right, copyright, mask work right, or other intellectual property right relating to any combination, machine, or process in which TI products or services are used. Information regarding or referencing third-party products or services does not constitute a license to use such products or services, or a warranty or endorsement thereof. Use of TI Resources may require a license from a third party under the patents or other intellectual property of the third party, or a license from TI under the patents or other intellectual property of TI.

TI RESOURCES ARE PROVIDED "AS IS" AND WITH ALL FAULTS. TI DISCLAIMS ALL OTHER WARRANTIES OR REPRESENTATIONS, EXPRESS OR IMPLIED, REGARDING TI RESOURCES OR USE THEREOF, INCLUDING BUT NOT LIMITED TO ACCURACY OR COMPLETENESS, TITLE, ANY EPIDEMIC FAILURE WARRANTY AND ANY IMPLIED WARRANTIES OF MERCHANTABILITY, FITNESS FOR A PARTICULAR PURPOSE, AND NON-INFRINGEMENT OF ANY THIRD PARTY INTELLECTUAL PROPERTY RIGHTS.

TI SHALL NOT BE LIABLE FOR AND SHALL NOT DEFEND OR INDEMNIFY YOU AGAINST ANY CLAIM, INCLUDING BUT NOT LIMITED TO ANY INFRINGEMENT CLAIM THAT RELATES TO OR IS BASED ON ANY COMBINATION OF PRODUCTS EVEN IF DESCRIBED IN TI RESOURCES OR OTHERWISE. IN NO EVENT SHALL TI BE LIABLE FOR ANY ACTUAL, DIRECT, SPECIAL, COLLATERAL, INDIRECT, PUNITIVE, INCIDENTAL, CONSEQUENTIAL OR EXEMPLARY DAMAGES IN CONNECTION WITH OR ARISING OUT OF TI RESOURCES OR USE THEREOF, AND REGARDLESS OF WHETHER TI HAS BEEN ADVISED OF THE POSSIBILITY OF SUCH DAMAGES.

You agree to fully indemnify TI and its representatives against any damages, costs, losses, and/or liabilities arising out of your non-compliance with the terms and provisions of this Notice.

This Notice applies to TI Resources. Additional terms apply to the use and purchase of certain types of materials, TI products and services. These include; without limitation, TI's standard terms for semiconductor products (<http://www.ti.com/sc/docs/stdterms.htm>), [evaluation modules](#), and [samples](http://www.ti.com/sc/docs/sampterm.htm) (<http://www.ti.com/sc/docs/sampterm.htm>).

Mailing Address: Texas Instruments, Post Office Box 655303, Dallas, Texas 75265
Copyright © 2018, Texas Instruments Incorporated