

ADC0801

?P Interface for a Free-Running A/D Allows Asynchronous Reads



Literature Number: SNAA119

μP Interface for a Free-Running A/D Allows Asynchronous Reads

National Semiconductor
Linear Brief 53
July 1981



In many data acquisition applications it is necessary to have an A to D converter operate as its maximum conversion rate. The controlling microprocessor would then be able to read the most current input data at any point in time as required by software. To minimize program execution time, a DATA READ may not be synchronous to the completion of a conversion, and herein lies a problem. It is entirely possible that the processor could assert a READ command right at the instant the A/D converter is updating its output register. The data read would be the value of the converter's output lines in transition from the result of the previous conversion to the latest result, and would very likely be in error.

The addition of a simple binary counter to the A/D interface circuitry can be used to generate a READY signal to the microprocessor that will prevent a READ during a data update. The circuit of Figure 1 shows a CD4024BC7-stage ripple carry binary counter used in conjunction with an ADC0801, 8-bit microprocessor compatible A to D converter. Circuit operation relies on two basic properties of the A/D converter. First of all, the free-running conversion time of the A/D must be a constant number of clock cycles; and secondly, the output latches must be updated prior to the end of conversion signal. The ADC0801 fulfills both of these requirements. The output data latches are updated one A/D clock period before the $\overline{\text{INTR}}$ falls low, and the free-running conversion time is always 72 clock periods long.

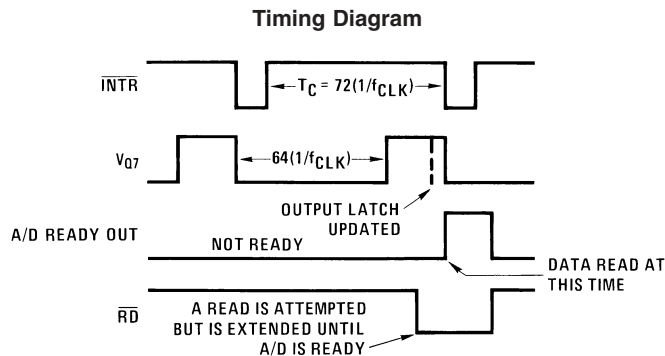
As part of the system power-up initialization sequence, a logic low must be temporarily applied to the $\overline{\text{SYSTEM RESET}}$ input to the A/D to force the converter to start. At the end of a conversion, the $\overline{\text{INTR}}$ output goes low, and both resets the counter outputs to all zeros and signals another conversion to start by pulling $\overline{\text{WR}}$ low. The length of time that

the $\overline{\text{INTR}}$ output stays low is normally only a few internal gate propagation delays (approximately 300 ns) and is independent of the A/D clock frequency. The 1000 pF capacitor on this output extends this time to approximately 1 μs to insure adequate reset time for the counter.

A conversion is started on the low to high transition of the $\overline{\text{INTR}}$ and $\overline{\text{WR}}$ pins. The next data update will occur 71 clock periods after this edge occurs. The counter will signal that a data update is about to occur after 64 clock periods. If the processor attempts a DATA READ within an 8 clock period time frame around the data update time, its READY input line will remain low, signifying a NOT READY condition. The processor would then extend the READ cycle time until it receives a READY indication created by the counter being reset by $\overline{\text{INTR}}$. This insures that the latches have already been updated and proper data will be read.

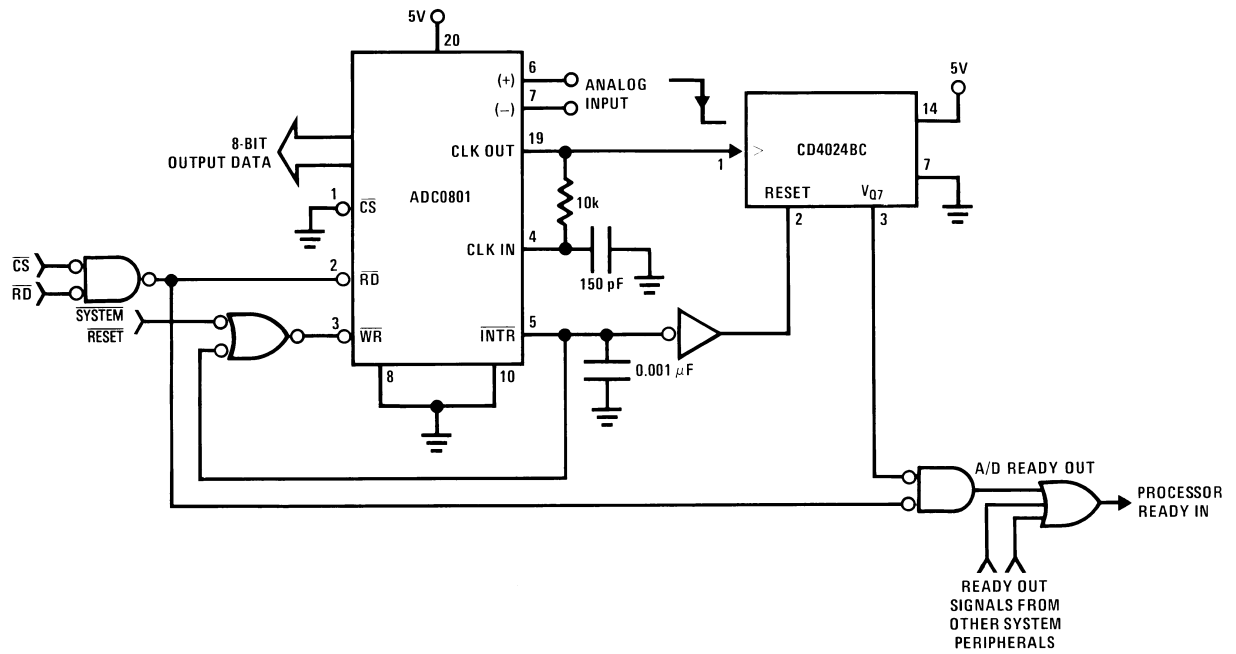
If a READ is attempted during the 64 clock period interval after the start of a conversion, the READY IN line to the processor will go high to permit a normal READ cycle, and the data output by the A/D will be the result of the previous conversion. The processor READY IN logic, as shown, requires that all system devices that may need special READ or WRITE timing provide a NOT READY (a Logic 0 on their READY OUT lines) indication until selected to be read from or written to.

The chance of having the processor extend its READ cycle time is 1 in 9 (8 clock periods out of 72) and the maximum length of time a READ would be extended is 8 A/D clock periods. These two timing considerations are insignificant trade-offs to take to insure that proper A/D data is always read.



00850002

FIGURE 1.



00850001

LIFE SUPPORT POLICY

NATIONAL'S PRODUCTS ARE NOT AUTHORIZED FOR USE AS CRITICAL COMPONENTS IN LIFE SUPPORT DEVICES OR SYSTEMS WITHOUT THE EXPRESS WRITTEN APPROVAL OF THE PRESIDENT AND GENERAL COUNSEL OF NATIONAL SEMICONDUCTOR CORPORATION. As used herein:

1. Life support devices or systems are devices or systems which, (a) are intended for surgical implant into the body, or (b) support or sustain life, and whose failure to perform when properly used in accordance with instructions for use provided in the labeling, can be reasonably expected to result in a significant injury to the user.
2. A critical component is any component of a life support device or system whose failure to perform can be reasonably expected to cause the failure of the life support device or system, or to affect its safety or effectiveness.



National Semiconductor Corporation
Americas
Email: support@nsc.com

National Semiconductor Europe
Fax: +49 (0) 180-530 85 86
Email: europe.support@nsc.com
Deutsch Tel: +49 (0) 69 9508 6208
English Tel: +44 (0) 870 24 0 2171
Français Tel: +33 (0) 1 41 91 8790

National Semiconductor Asia Pacific Customer Response Group
Tel: 65-2544466
Fax: 65-2504466
Email: ap.support@nsc.com

National Semiconductor Japan Ltd.
Tel: 81-3-5639-7560
Fax: 81-3-5639-7507

www.national.com

IMPORTANT NOTICE

Texas Instruments Incorporated and its subsidiaries (TI) reserve the right to make corrections, modifications, enhancements, improvements, and other changes to its products and services at any time and to discontinue any product or service without notice. Customers should obtain the latest relevant information before placing orders and should verify that such information is current and complete. All products are sold subject to TI's terms and conditions of sale supplied at the time of order acknowledgment.

TI warrants performance of its hardware products to the specifications applicable at the time of sale in accordance with TI's standard warranty. Testing and other quality control techniques are used to the extent TI deems necessary to support this warranty. Except where mandated by government requirements, testing of all parameters of each product is not necessarily performed.

TI assumes no liability for applications assistance or customer product design. Customers are responsible for their products and applications using TI components. To minimize the risks associated with customer products and applications, customers should provide adequate design and operating safeguards.

TI does not warrant or represent that any license, either express or implied, is granted under any TI patent right, copyright, mask work right, or other TI intellectual property right relating to any combination, machine, or process in which TI products or services are used. Information published by TI regarding third-party products or services does not constitute a license from TI to use such products or services or a warranty or endorsement thereof. Use of such information may require a license from a third party under the patents or other intellectual property of the third party, or a license from TI under the patents or other intellectual property of TI.

Reproduction of TI information in TI data books or data sheets is permissible only if reproduction is without alteration and is accompanied by all associated warranties, conditions, limitations, and notices. Reproduction of this information with alteration is an unfair and deceptive business practice. TI is not responsible or liable for such altered documentation. Information of third parties may be subject to additional restrictions.

Resale of TI products or services with statements different from or beyond the parameters stated by TI for that product or service voids all express and any implied warranties for the associated TI product or service and is an unfair and deceptive business practice. TI is not responsible or liable for any such statements.

TI products are not authorized for use in safety-critical applications (such as life support) where a failure of the TI product would reasonably be expected to cause severe personal injury or death, unless officers of the parties have executed an agreement specifically governing such use. Buyers represent that they have all necessary expertise in the safety and regulatory ramifications of their applications, and acknowledge and agree that they are solely responsible for all legal, regulatory and safety-related requirements concerning their products and any use of TI products in such safety-critical applications, notwithstanding any applications-related information or support that may be provided by TI. Further, Buyers must fully indemnify TI and its representatives against any damages arising out of the use of TI products in such safety-critical applications.

TI products are neither designed nor intended for use in military/aerospace applications or environments unless the TI products are specifically designated by TI as military-grade or "enhanced plastic." Only products designated by TI as military-grade meet military specifications. Buyers acknowledge and agree that any such use of TI products which TI has not designated as military-grade is solely at the Buyer's risk, and that they are solely responsible for compliance with all legal and regulatory requirements in connection with such use.

TI products are neither designed nor intended for use in automotive applications or environments unless the specific TI products are designated by TI as compliant with ISO/TS 16949 requirements. Buyers acknowledge and agree that, if they use any non-designated products in automotive applications, TI will not be responsible for any failure to meet such requirements.

Following are URLs where you can obtain information on other Texas Instruments products and application solutions:

Products

Audio	www.ti.com/audio
Amplifiers	amplifier.ti.com
Data Converters	dataconverter.ti.com
DLP® Products	www.dlp.com
DSP	dsp.ti.com
Clocks and Timers	www.ti.com/clocks
Interface	interface.ti.com
Logic	logic.ti.com
Power Mgmt	power.ti.com
Microcontrollers	microcontroller.ti.com
RFID	www.ti-rfid.com
OMAP Mobile Processors	www.ti.com/omap
Wireless Connectivity	www.ti.com/wirelessconnectivity

Applications

Communications and Telecom	www.ti.com/communications
Computers and Peripherals	www.ti.com/computers
Consumer Electronics	www.ti.com/consumer-apps
Energy and Lighting	www.ti.com/energy
Industrial	www.ti.com/industrial
Medical	www.ti.com/medical
Security	www.ti.com/security
Space, Avionics and Defense	www.ti.com/space-avionics-defense
Transportation and Automotive	www.ti.com/automotive
Video and Imaging	www.ti.com/video

TI E2E Community Home Page

e2e.ti.com

Mailing Address: Texas Instruments, Post Office Box 655303, Dallas, Texas 75265
Copyright © 2011, Texas Instruments Incorporated