

# ADC121S101,ADC161S626

*Liquid-Level Monitoring Using a Pressure Sensor*



Literature Number: SNAA127

# SIGNAL PATH *designer*<sup>®</sup>

Tips, tricks, and techniques from the analog signal-path experts

No. 115

Feature Article ..... 1-4

Design Made Easy ..... 5

## Liquid-Level Monitoring Using a Pressure Sensor

— By Amy Le, Applications Engineer

Liquid-level monitoring plays an important role in today's automotive, oil, water, pressure, and gas industries, to name a few. For example, pumping oil into a storage tank requires liquid-level monitoring to prevent spillage. Draining liquid out of a silo into bottles also requires liquid-level monitoring for volume control.

This article will explain how to automate a liquid monitoring system using a pressure sensor. Since obtaining the pressure is just one vital piece of the information, how to convert the sensor's output voltage into the liquid's height using an analog-to-digital converter (ADC) will also be explained. Details of the pressure sensor, ADC connections, system calibration and calculations, as well as an example application, are available to guide designers through the development phase.

### Level-Sensing Theory

The height of liquid in a container can be measured using a pressure sensor. Placed at the top of the container, the pressure sensor is connected to an open-ended tube that is submerged in the container. The amount of water in the container exerts a proportional amount of pressure on the sensor via the trapped air in the tube. At its output, the sensor produces a pressure-equivalent voltage.

Essentially, the pressure sensor is a Wheatstone Bridge (Figure 1). Changes to the pressure on the bridge are analogous to the changes in the value of the bridge's resistors,  $R$ .

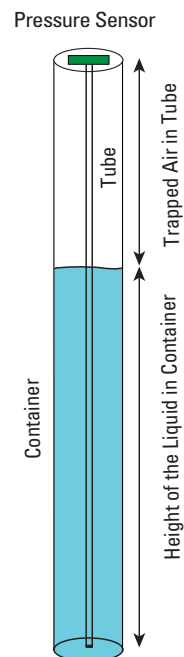


Figure 2. Container

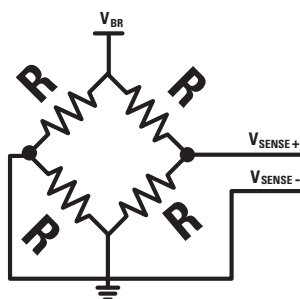


Figure 1. Bridge Sensor

## Liquid-Level Monitoring Using a Pressure Sensor

### Hardware

#### Pressure Sensor

The differential sensor used in the example application is GE NovaSensor’s NPC-1210 series. The NPC-1210 has a typical Full Scale Output (FSO) of 50 mV for 10 inches of water. That is, 10 inches of water in the container corresponds to a typical sensor’s differential output voltage of 50 mV. This linear relationship is useful information for calculating the liquid’s height and determining the appropriate ADC and amplifier for the system.

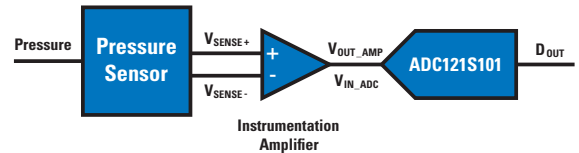
This particular sensor was selected due to its low sensitivity characteristic, which means its output will be in the millivolts range. Since the example application has a small amount of liquid volume (approximately 540 inches<sup>3</sup>), a sensitive pressure sensor is adequate. It is important to select the pressure sensor appropriate for a given application. National Semiconductor’s Sensor WEBENCH® online design tool ([national.com/appinfo/webench/sensorpath.html](http://national.com/appinfo/webench/sensorpath.html)) can help customers in choosing the appropriate sensor based on input range and desired accuracy.

#### Sensor Reference Board

National’s newest sensor reference boards (*Order No: SP1202S01RB and SP1602S02RB*) are ideal sensor interface developments for liquid-level monitoring systems. The SP1202S01RB sensor reference board has a differential to single-ended configuration using an instrumentation amplifier connected to a single-ended, 12-bit, single-channel ADC121S101 converter. The latter board also has an instrumentation amplifier but uses a differential, 16-bit, single-channel ADC161S626 device in a single-ended fashion.

Both boards serve the similar function of amplifying the sensor’s output voltage and converting it to an output code. However, because the resolution for the SP1602S02RB sensor reference board is higher due to the 16-bit ADC, it is more sensitive to changes in the liquid’s level than the SP1202S01RB sensor reference board.

Both configurations contain the gain stage to amplify the millivolts sensor output to the reasonable 0V to 4.1V ADC operating range. The output code of the ADC is read by a microcontroller via SPI and is uploaded to a PC to be analyzed. An example block diagram of the differential to single-ended signal path can be seen in *Figure 3*.



**Figure 3. SP1202S01RB Sensor Reference Board Block Diagram**

### Pressure Sensor Calibration

Finding the linear relationship between the sensor’s output voltage and height of the liquid requires calibrating the particular system. The NPC-1210 sensor datasheet states that a typical relationship is 50 mV to 10 inches of liquid. By pouring in the container ‘x’ inches of liquid and then measuring the sensor’s differential output voltage ‘Δy’, where Δy is [(V<sub>SENSE+</sub>) - (V<sub>SENSE-</sub>)], the sensor can be calibrated.

$$\Delta V_{\text{SENSOR\_OUT}} = (V_{\text{SENSE+}}) - (V_{\text{SENSE-}}) \quad (1)$$

$$\Delta V_{\text{SENSOR\_OUT}} = \left( \frac{\Delta y}{x} \right) \times (\text{Height}) \quad (2)$$

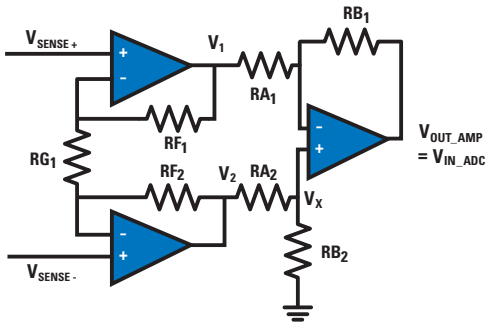
This linear relationship can be used to find the sensor’s differential output voltage, ΔV<sub>SENSOR\_OUT</sub>, at a new height as seen in Equation 2.

### The Liquid’s Height Calculation

As shown in *Figure 3*, the liquid-level monitoring signal path has three stages. For that reason, calculating the liquid’s height in terms of the ADC and amplifier requires several processes. The first step is finding the gain of the amplifier and multiplying this gain with the sensor’s output voltage, ΔV<sub>SENSOR\_OUT</sub>, to obtain the ADC input voltage, V<sub>IN\_ADC</sub>.

$$V_{\text{IN\_ADC}} = V_{\text{OUT\_AMP}} = (\Delta V_{\text{SENSOR\_OUT}}) \times (\text{Gain}) \quad (3)$$

Finding the gain of any amplifier stage can be cumbersome. For simplification, an example calculation for the instrumentation amplifier (*Figure 4*) used in the example application can be seen in a series of equations (4a – 4e). These calculations use superposition and simple op amp equations to derive the ADC input,  $V_{IN\_ADC}$ , and gain of the instrumentation amplifier stage. To obtain a good common-mode rejection,  $RF_1$  should be equal to  $RF_2$ ;  $RA_1$  should be equal to  $RA_2$ ; and  $RB_1$  should be equal to  $RB_2$ .



**Figure 4. Instrumentation Amplifier**

$$V_1 = (V_{SENSE+}) \times \left(1 + \frac{RF_1}{RG_1}\right) + (V_{SENSE-}) \times \left(\frac{-RF_1}{RG_1}\right) \quad (4a)$$

$$V_2 = (V_{SENSE+}) \times \left(\frac{-RF_2}{RG_2}\right) + (V_{SENSE-}) \times \left(1 + \frac{RF_2}{RG_2}\right) \quad (4b)$$

$$V_x = \left(\frac{RB_2}{RB_2 + RA_2}\right) \times (V_2) \quad (4c)$$

$$V_{IN\_ADC} = V_{OUT\_AMP} = V_x \times \left[\frac{RB_1 + RA_1}{RA_1}\right] - V_1 \times \left(\frac{RB_1}{RA_1}\right) \quad (4d)$$

$$\text{Gain} = \frac{V_{IN\_ADC}}{\Delta V_{SENSOR\_OUT}} \quad (4e)$$

Next, simple differential (DIFF) and single-ended (SE) ADC formulas can be used to find the ADC output code,  $D_{OUT}$ . The appropriate equation is chosen based on the type of ADC used in a given system. In both configurations,  $V_{REF}$  is the ADC reference voltage and  $n$  is the ADC-bit resolution.

$$D_{OUT\_DIFF} = \left(\frac{V_{IN\_ADC}}{2 \times V_{REF}}\right) \times (2^n) \quad (5a)$$

$$D_{OUT\_SE} = \left(\frac{V_{IN\_ADC}}{V_{REF}}\right) \times (2^n) \quad (5b)$$

Finally, the output code is converted to the liquid's height using Equation 6a for a differential ADC or 6b for a single-ended ADC. These equations are derived from Equation 2 but differ from Equation 2 because  $\Delta V_{SENSOR\_OUT}$  is now written in terms of the ADC and amplifier gain.

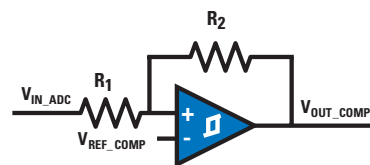
$$\text{Height}_{DIFF} = \left[\frac{x}{\Delta y}\right] \times \left(\frac{1}{\text{Gain}}\right) \times \left[\frac{(D_{OUT\_DIFF}) \times (2 \times V_{REF})}{(2^n)}\right] \quad (6a)$$

$$\text{Height}_{SE} = \left[\frac{x}{\Delta y}\right] \times \left(\frac{1}{\text{Gain}}\right) \times \left[\frac{(D_{OUT\_SE}) \times (V_{REF})}{(2^n)}\right] \quad (6b)$$

## Example Application

An example application is illustrated in *Figure 7* in which a container full of water is measured using the NPC-1210 pressure sensor. Water is continuously drained out of the container into an external water tub that contains an electrical pump. When the water level is low, the electrical pump turns on and pumps water back into the tube. When the water level reaches a predetermined point near the top, the pump turns off and awaits the lower trip point to turn on again as water is drained out of the tube. This cycle repeats until the power is turned off.

To create this continuous fluctuation of water level, a comparator with hysteresis (*Figure 5*), an inverter, and a relay switch are added to the previously mentioned hardware connections. The ADC's input is compared to the reference voltage of the comparator,  $V_{REF\_COMP}$  (not to be confused with the reference voltage of the ADC). If  $V_{IN\_ADC}$  is greater than



**Figure 5. Comparator with Hysteresis**

## Liquid-Level Monitoring Using a Pressure Sensor

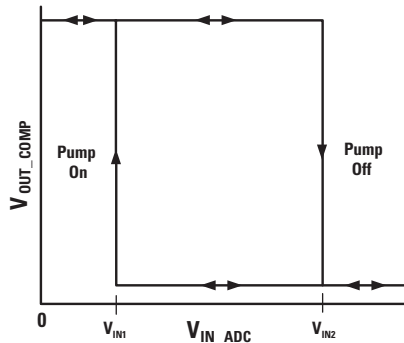


Figure 6. Hysteresis

$V_{REF\_COMP}$ , then the comparator's output is high; otherwise, it's low. As shown in *Figure 6*, hysteresis is added to the comparator to create two switching thresholds at  $V_{IN1}$  and  $V_{IN2}$ . These switching thresholds represent the positions when the pump turns on and off.

Equations 7a and 7b show how these thresholds can be easily adjusted by changing the comparator's resistors  $R_1$  and  $R_2$ . It is up to the designer to pick a comfortable reference voltage,  $V_{REF\_COMP}$ , and available resistor values to get the desired threshold voltages.

$$V_{IN1} = \frac{[(V_{REF\_COMP}) (R_1 + R_2)] - [V_{CC} R_1]}{R_2} \quad (7a)$$

$$V_{IN2} = \frac{[(V_{REF\_COMP}) \times (R_1 + R_2)]}{R_2} \quad (7b)$$

The comparator's output is connected to two powered FETs acting as a buffer. Although the inverter is not necessary, the FETs' main purpose is providing sufficient current to turn on the relay. Having one pin connected to AC power and the other unconnected, the relay switches between a pump-to-power connection and a pump-to-ground connection.

The application is a good demonstration for liquid-level monitoring systems that require a safety mechanism. Without depending on software, this hardware connection can turn off the pump when the water approaches the overflow point. The example application also illustrates the usefulness of the sensor reference board. Its complete signal path design makes enhancing any sensor applications significantly more convenient.

### Conclusion

Liquid-level monitoring systems require the use of pressure sensors to measure the pressure, and thus the height, of the liquid. Since the sensor's output voltage is meaningless to the average users, an ADC is needed to convert the analog voltage to a digital language in which a computer's software can mathematically compute the height of the liquid. This signal path design is encapsulated in National's sensor reference boards. As illustrated in the example application, the SP1202S01RB sensor reference board is ideal for many pressure-sensor applications.

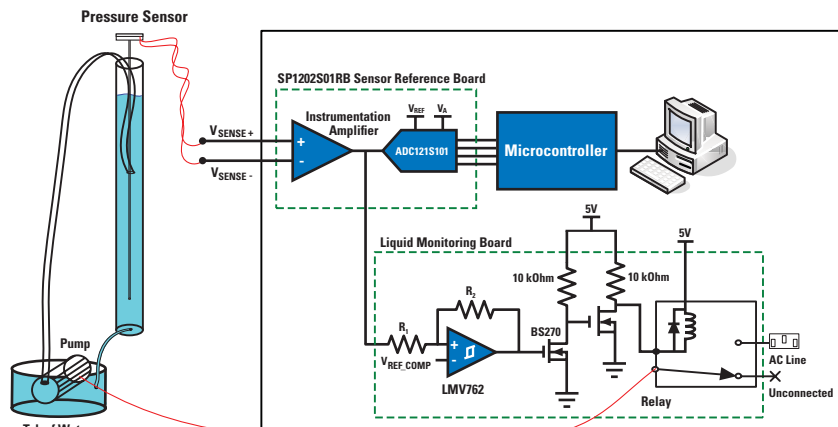


Figure 7. Liquid Monitoring System

# DESIGN MADE EASY



**EXPLORE  
& LEARN**

**COMPARE  
& SELECT**

**DESIGN  
& BUILD**

**Discover a wealth of  
design resources**

Explore "how to" videos, online courses, articles, and the latest design technologies.

**Find the perfect mix of  
products for your design**

Use National's online product catalog, downloadable collateral, and featured online sites to compare and select products.

**Design, build and  
validate a solution**

Speed time-to-market with the new WEBENCH® Sensor Designer and enhanced WEBENCH Power Designer.

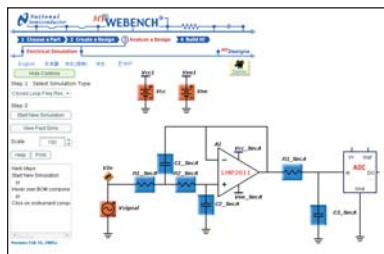
# Design Tools

## WEBENCH® Signal Path Designer® Tools

Design, simulate, and optimize amplifier circuits in this FREE online design and prototyping environment allowing you to:

- Synthesize an anti-alias filter
- Select the best amplifier/ADC combo for your system specs
- Make trade-offs based on SNR, SFDR, supply voltage
- Simulate real-world operating conditions using SPICE
- Receive samples in 24 hours

[webench.national.com](http://webench.national.com)



## WaveVision 4.1 Evaluation Board

Test and evaluate A/D converters with National's easy-to use WaveVision 4.1 evaluation board. Each evaluation board comes complete with USB cable and support software.

### Features and benefits:

- Plug-n-play ADC evaluation board
- USB 2.0 interface to PC
- PC-based data capture
- Easy data capture and evaluation
- Highlighted harmonic and SFDR frequencies
- Easy waveform examination
- Produces and displays FFT plots
- Dynamic performance parameter readout with FFT
- Produces and displays histograms



**National Semiconductor**  
2900 Semiconductor Drive  
Santa Clara, CA 95051  
1 800 272 9959

**Mailing address:**  
PO Box 58090  
Santa Clara, CA 95052

**Visit our website at:**  
[www.national.com](http://www.national.com)

**For more information,  
send email to:**  
[new.feedback@nsc.com](mailto:new.feedback@nsc.com)

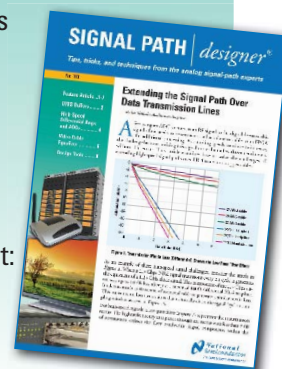


## Don't miss a single issue!

Subscribe now to receive email alerts when new issues of Signal Path Designer® are available:

[signalpath.national.com/designer](http://signalpath.national.com/designer)

Also, be sure to check out our Power Designer! View online today at:  
[power.national.com/designer](http://power.national.com/designer)



## IMPORTANT NOTICE

Texas Instruments Incorporated and its subsidiaries (TI) reserve the right to make corrections, modifications, enhancements, improvements, and other changes to its products and services at any time and to discontinue any product or service without notice. Customers should obtain the latest relevant information before placing orders and should verify that such information is current and complete. All products are sold subject to TI's terms and conditions of sale supplied at the time of order acknowledgment.

TI warrants performance of its hardware products to the specifications applicable at the time of sale in accordance with TI's standard warranty. Testing and other quality control techniques are used to the extent TI deems necessary to support this warranty. Except where mandated by government requirements, testing of all parameters of each product is not necessarily performed.

TI assumes no liability for applications assistance or customer product design. Customers are responsible for their products and applications using TI components. To minimize the risks associated with customer products and applications, customers should provide adequate design and operating safeguards.

TI does not warrant or represent that any license, either express or implied, is granted under any TI patent right, copyright, mask work right, or other TI intellectual property right relating to any combination, machine, or process in which TI products or services are used. Information published by TI regarding third-party products or services does not constitute a license from TI to use such products or services or a warranty or endorsement thereof. Use of such information may require a license from a third party under the patents or other intellectual property of the third party, or a license from TI under the patents or other intellectual property of TI.

Reproduction of TI information in TI data books or data sheets is permissible only if reproduction is without alteration and is accompanied by all associated warranties, conditions, limitations, and notices. Reproduction of this information with alteration is an unfair and deceptive business practice. TI is not responsible or liable for such altered documentation. Information of third parties may be subject to additional restrictions.

Resale of TI products or services with statements different from or beyond the parameters stated by TI for that product or service voids all express and any implied warranties for the associated TI product or service and is an unfair and deceptive business practice. TI is not responsible or liable for any such statements.

TI products are not authorized for use in safety-critical applications (such as life support) where a failure of the TI product would reasonably be expected to cause severe personal injury or death, unless officers of the parties have executed an agreement specifically governing such use. Buyers represent that they have all necessary expertise in the safety and regulatory ramifications of their applications, and acknowledge and agree that they are solely responsible for all legal, regulatory and safety-related requirements concerning their products and any use of TI products in such safety-critical applications, notwithstanding any applications-related information or support that may be provided by TI. Further, Buyers must fully indemnify TI and its representatives against any damages arising out of the use of TI products in such safety-critical applications.

TI products are neither designed nor intended for use in military/aerospace applications or environments unless the TI products are specifically designated by TI as military-grade or "enhanced plastic." Only products designated by TI as military-grade meet military specifications. Buyers acknowledge and agree that any such use of TI products which TI has not designated as military-grade is solely at the Buyer's risk, and that they are solely responsible for compliance with all legal and regulatory requirements in connection with such use.

TI products are neither designed nor intended for use in automotive applications or environments unless the specific TI products are designated by TI as compliant with ISO/TS 16949 requirements. Buyers acknowledge and agree that, if they use any non-designated products in automotive applications, TI will not be responsible for any failure to meet such requirements.

Following are URLs where you can obtain information on other Texas Instruments products and application solutions:

### Products

Audio	<a href="http://www.ti.com/audio">www.ti.com/audio</a>
Amplifiers	<a href="http://amplifier.ti.com">amplifier.ti.com</a>
Data Converters	<a href="http://dataconverter.ti.com">dataconverter.ti.com</a>
DLP® Products	<a href="http://www.dlp.com">www.dlp.com</a>
DSP	<a href="http://dsp.ti.com">dsp.ti.com</a>
Clocks and Timers	<a href="http://www.ti.com/clocks">www.ti.com/clocks</a>
Interface	<a href="http://interface.ti.com">interface.ti.com</a>
Logic	<a href="http://logic.ti.com">logic.ti.com</a>
Power Mgmt	<a href="http://power.ti.com">power.ti.com</a>
Microcontrollers	<a href="http://microcontroller.ti.com">microcontroller.ti.com</a>
RFID	<a href="http://www.ti-rfid.com">www.ti-rfid.com</a>
OMAP Mobile Processors	<a href="http://www.ti.com/omap">www.ti.com/omap</a>
Wireless Connectivity	<a href="http://www.ti.com/wirelessconnectivity">www.ti.com/wirelessconnectivity</a>

### Applications

Communications and Telecom	<a href="http://www.ti.com/communications">www.ti.com/communications</a>
Computers and Peripherals	<a href="http://www.ti.com/computers">www.ti.com/computers</a>
Consumer Electronics	<a href="http://www.ti.com/consumer-apps">www.ti.com/consumer-apps</a>
Energy and Lighting	<a href="http://www.ti.com/energy">www.ti.com/energy</a>
Industrial	<a href="http://www.ti.com/industrial">www.ti.com/industrial</a>
Medical	<a href="http://www.ti.com/medical">www.ti.com/medical</a>
Security	<a href="http://www.ti.com/security">www.ti.com/security</a>
Space, Avionics and Defense	<a href="http://www.ti.com/space-avionics-defense">www.ti.com/space-avionics-defense</a>
Transportation and Automotive	<a href="http://www.ti.com/automotive">www.ti.com/automotive</a>
Video and Imaging	<a href="http://www.ti.com/video">www.ti.com/video</a>

TI E2E Community Home Page

[e2e.ti.com](http://e2e.ti.com)

Mailing Address: Texas Instruments, Post Office Box 655303, Dallas, Texas 75265  
Copyright © 2011, Texas Instruments Incorporated