

Migrating from the LM1881 to the LMH1980

ABSTRACT

The LMH1980 is a SD/HD/PC video sync separator intended to replace the LM1881 sync separator in consumer, security and surveillance, and industrial video applications where high-definition compatibility is needed. This application report discusses the LMH1980's advantages over the LM1881 and considerations for designing the LMH1980 into current LM1881 sockets. In broadcast and professional video systems where timing jitter is a critical system parameter, another sync separator, the LMH1981, offers the best jitter performance while supporting all SD and HD analog video standards.

Contents

1	Advantages of the LMH1980	2
2	Improved Operating Range.....	2
3	Video Auto-Detection and Formats.....	2
4	Additional Outputs	2
5	Package and PCB Considerations	3
6	References	3

List of Figures

1	LM1881 Typical Application Circuit With $R_{SET} = 680\text{ k}\Omega$ for Composite Video	3
2	LMH1980 Typical Application Circuit With Switch-Controlled Chroma Filter	3

1 ⁽¹⁾ Advantages of the LMH1980

The LMH1980 offers several advantages over the LM1881, including:

- Lower operating supply of 3.3 V
- Wide temperature range of -40°C to $+85^{\circ}\text{C}$
- Auto-detection of the input video format using a fixed-value resistor biasing architecture
- Support for HD tri-level sync separation
- HSync output and HD detect flag output
- Smaller package

2 Improved Operating Range

The LM1881 required a supply voltage from 5 V to 12 V, whereas, the LMH1980 operates with a supply voltage as low as 3.3 V. This allows the LMH1980 to be used in applications where a lower supply voltage between 3.3 V to 5 V is available. Additionally, the improved operating temperature range makes it better suited for applications where reliability is needed at cold temperatures as low as -40°C .

3 Video Auto-Detection and Formats

The LMH1980 accepts an analog video input with either bi-level sync or tri-level sync and automatically detects the video format, thus eliminating the need for external R_{SET} adjustment required by the older LM1881 to support different line rates. Only a fixed 10 k Ω 1% external resistor is needed to sustain the internal biasing architecture of the LMH1980, which adapts to the input line rate without physical or electrical intervention. The outputs are accurate after a sufficient start-up time is met, typically within one to two fields of video.

The LMH1980 supports sync separation for analog CVBS, Y (luma) from Y/C and $Y_P P_R$, and G (sync on green) from GBR/RGsb, as specified in the following video standards.

- Composite Video (CVBS) and S-Video (Y/C)
 - SMPTE 170M (NTSC), ITU-R BT.470 (PAL)
- Component Video ($Y_P P_R$ /GBR)
 - SDTV: SMPTE 125M, SMPTE 267M, ITU-R BT.601(480I, 576I)
 - EDTV: ITU-R BT.1358 (480P, 576P)
 - HDTV: SMPTE 296M (720P), SMPTE 274M (1080I/P), SMPTE RP 211 (1080PsF)
- PC Graphics (RGsB)
 - VESA Monitor Timing Standards and Guidelines Version 1.0, Revision 0.8
- Non-Standard Video
 - Composite NTSC and PAL (or Component 480I and 576I) without vertical serration and equalization pulses

4 Additional Outputs

The LMH1980 provides a true horizontal sync signal (HSync), which was not available in the LM1881. Unlike the composite sync signal of the LM1881, the HSync signal can be directly input to a phased-locked loop (PLL) to generate a synchronous line-locked clock without the complication of managing double frequency serration pulses in the vertical interval (PLL coast mode).

The LMH1980 also features an HD detect flag that outputs a logic low signal when a valid HD video input with tri-level sync is detected; otherwise, it outputs logic high. This can be useful in multiple format applications where the external chroma low-pass filter needs to be disabled when an HD video signal is applied; otherwise, the chroma filter can distort the HD tri-level sync pulses, which may lead to increased output propagation delay and jitter. An implementation of a switch-controlled chroma filter is shown and described in the *LMH1980 Auto-Detecting SD/HD/PC Video Sync Separator Data Sheet* ([SNLS263](#)).

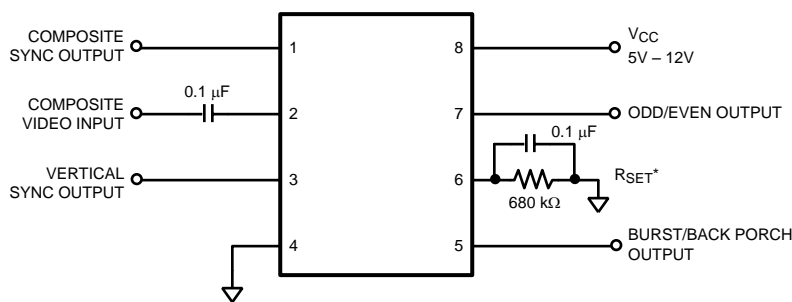
⁽¹⁾ All trademarks are the property of their respective owners.

5 Package and PCB Considerations

The LMH1980 is offered in a space-saving 10-lead MSOP, which reduces the area needed on the PCB. Because of the smaller package and additional outputs of the LMH1980, it is not a drop-in replacement for the LM1881, and the circuit schematic and PCB layout need to be slightly modified. As a comparison, the typical application circuit schematics are shown for the LM1881 and the LMH1980 in Figure 1 and Figure 2, respectively.

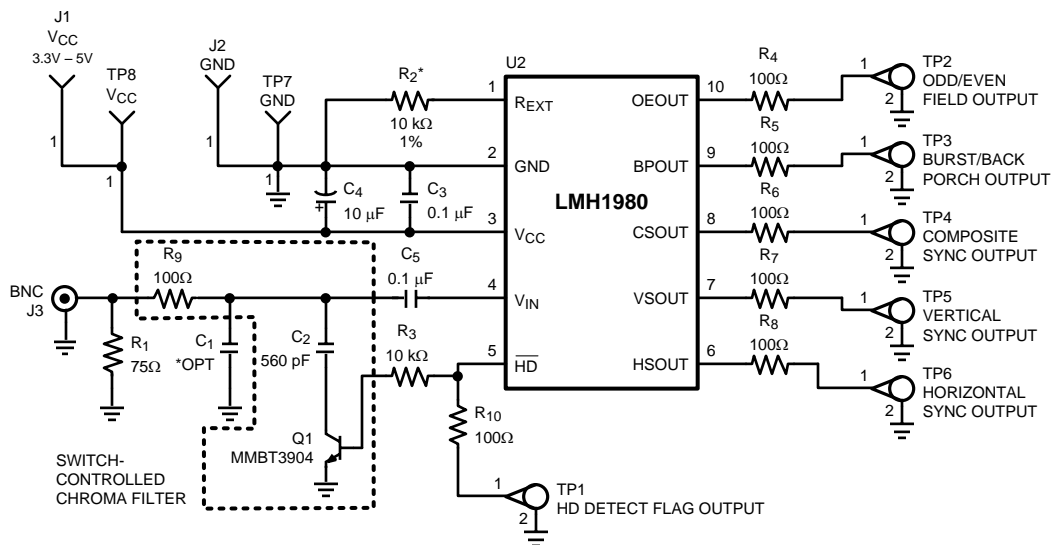
Although omitted from the LM1881 circuit, the LMH1980 circuit shows the recommended supply bypass capacitors, chroma (RC low-pass) filter components, and output protection resistors.

For more information about component placement and trace routing, see the *PCB Layout Considerations* section in the *LMH1980 Auto-Detecting SD/HD/PC Video Sync Separator Data Sheet (SNLS263)* and *AN-1618 LMH1980 Evaluation Board Instruction Manual (SNLA096)*.



*R_{SET} VALUE NEEDS TO BE CHANGED TO SUPPORT OTHER VIDEO LINE RATES

Figure 1. LM1881 Typical Application Circuit With R_{SET} = 680 kΩ for Composite Video



*R₂ VALUE IS FIXED AT 10 kΩ 1% FOR ALL SUPPORTED VIDEO LINE RATES

Figure 2. LMH1980 Typical Application Circuit With Switch-Controlled Chroma Filter

6 References

- *LMH1980 Auto-Detecting SD/HD/PC Video Sync Separator Data Sheet (SNLS263)*
- *AN-1618 LMH1980 Evaluation Board Instruction Manual (SNLA096)*

IMPORTANT NOTICE FOR TI DESIGN INFORMATION AND RESOURCES

Texas Instruments Incorporated ("TI") technical, application or other design advice, services or information, including, but not limited to, reference designs and materials relating to evaluation modules, (collectively, "TI Resources") are intended to assist designers who are developing applications that incorporate TI products; by downloading, accessing or using any particular TI Resource in any way, you (individually or, if you are acting on behalf of a company, your company) agree to use it solely for this purpose and subject to the terms of this Notice.

TI's provision of TI Resources does not expand or otherwise alter TI's applicable published warranties or warranty disclaimers for TI products, and no additional obligations or liabilities arise from TI providing such TI Resources. TI reserves the right to make corrections, enhancements, improvements and other changes to its TI Resources.

You understand and agree that you remain responsible for using your independent analysis, evaluation and judgment in designing your applications and that you have full and exclusive responsibility to assure the safety of your applications and compliance of your applications (and of all TI products used in or for your applications) with all applicable regulations, laws and other applicable requirements. You represent that, with respect to your applications, you have all the necessary expertise to create and implement safeguards that (1) anticipate dangerous consequences of failures, (2) monitor failures and their consequences, and (3) lessen the likelihood of failures that might cause harm and take appropriate actions. You agree that prior to using or distributing any applications that include TI products, you will thoroughly test such applications and the functionality of such TI products as used in such applications. TI has not conducted any testing other than that specifically described in the published documentation for a particular TI Resource.

You are authorized to use, copy and modify any individual TI Resource only in connection with the development of applications that include the TI product(s) identified in such TI Resource. NO OTHER LICENSE, EXPRESS OR IMPLIED, BY ESTOPPEL OR OTHERWISE TO ANY OTHER TI INTELLECTUAL PROPERTY RIGHT, AND NO LICENSE TO ANY TECHNOLOGY OR INTELLECTUAL PROPERTY RIGHT OF TI OR ANY THIRD PARTY IS GRANTED HEREIN, including but not limited to any patent right, copyright, mask work right, or other intellectual property right relating to any combination, machine, or process in which TI products or services are used. Information regarding or referencing third-party products or services does not constitute a license to use such products or services, or a warranty or endorsement thereof. Use of TI Resources may require a license from a third party under the patents or other intellectual property of the third party, or a license from TI under the patents or other intellectual property of TI.

TI RESOURCES ARE PROVIDED "AS IS" AND WITH ALL FAULTS. TI DISCLAIMS ALL OTHER WARRANTIES OR REPRESENTATIONS, EXPRESS OR IMPLIED, REGARDING TI RESOURCES OR USE THEREOF, INCLUDING BUT NOT LIMITED TO ACCURACY OR COMPLETENESS, TITLE, ANY EPIDEMIC FAILURE WARRANTY AND ANY IMPLIED WARRANTIES OF MERCHANTABILITY, FITNESS FOR A PARTICULAR PURPOSE, AND NON-INFRINGEMENT OF ANY THIRD PARTY INTELLECTUAL PROPERTY RIGHTS.

TI SHALL NOT BE LIABLE FOR AND SHALL NOT DEFEND OR INDEMNIFY YOU AGAINST ANY CLAIM, INCLUDING BUT NOT LIMITED TO ANY INFRINGEMENT CLAIM THAT RELATES TO OR IS BASED ON ANY COMBINATION OF PRODUCTS EVEN IF DESCRIBED IN TI RESOURCES OR OTHERWISE. IN NO EVENT SHALL TI BE LIABLE FOR ANY ACTUAL, DIRECT, SPECIAL, COLLATERAL, INDIRECT, PUNITIVE, INCIDENTAL, CONSEQUENTIAL OR EXEMPLARY DAMAGES IN CONNECTION WITH OR ARISING OUT OF TI RESOURCES OR USE THEREOF, AND REGARDLESS OF WHETHER TI HAS BEEN ADVISED OF THE POSSIBILITY OF SUCH DAMAGES.

You agree to fully indemnify TI and its representatives against any damages, costs, losses, and/or liabilities arising out of your non-compliance with the terms and provisions of this Notice.

This Notice applies to TI Resources. Additional terms apply to the use and purchase of certain types of materials, TI products and services. These include; without limitation, TI's standard terms for semiconductor products (<http://www.ti.com/sc/docs/stdterms.htm>), [evaluation modules](#), and [samples](http://www.ti.com/sc/docs/sampterm.htm) (<http://www.ti.com/sc/docs/sampterm.htm>).

Mailing Address: Texas Instruments, Post Office Box 655303, Dallas, Texas 75265
Copyright © 2018, Texas Instruments Incorporated