

SB-113

SB-113 Laser Beam Printer (LBP) Controller Solution Card



Literature Number: SNOA182

Laser Beam Printer (LBP) Controller Solution Card

National Semiconductor
System Brief SB- 113
June 1990



Laser Beam Printer (LBP) Controller Solution Card

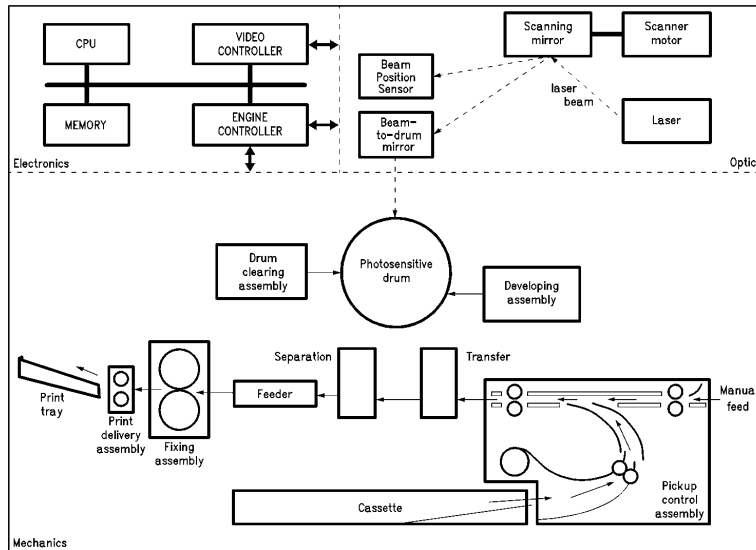


FIGURE 1. A Laser Printer Block Diagram

TL/F/11006-1

SYSTEM DESCRIPTION

A Laser Beam Printer (LBP) can be divided into three sections: mechanics, optics, and electronics, as can be seen in *Figure 1*. The mechanics of an LBP handle the physical path of the paper. The optics generate the laser beam and synchronizing signals. The electronics control the laser printer operation and are often referred to as the LBP formatter or RIP (Raster Image Processor).

The LBP formatter performs computation and control tasks aimed at transferring images, provided by the host computer in a Page Description Language (PDL) format, to the bit-map image that is sent to the printer optics and mechanics. The PDL contains the instructions needed to create the imaged page, a task that requires a high performance 32-bit CPU. In addition the formatter controls the operation of the user panel and the printing engine. Inputs are received from microswitches, sensors, and the video controller. Outputs are fed to motors, solenoids, relays, and the video controller.

Embedded processors are specifically targeted to execute in the imaging environment. A family of processors to cover low-to-high range LBP applications is available, with different degrees of performance and integration. The choice of an embedded processor for a non-impact printer controller is of high importance. The processor should be selected by considering its impact on the system cost and performance.

The applicability of the instruction set, integration, bus interface, and development tools are important issues.

Figure 2 shows a block diagram of an LBP controller. The choice of CPU, for high-performance printer formatters, or for mid-range performance should have the same level of integration, including on-chip Interrupt Control Unit (ICU), 2-channel DMA Controller (DMAC), and 3 timers/counters. The hardware Floating Point Unit (FPU) is optional. It increases the system performance, typically by 20%, when running PostScript™. For small memory systems a 16-bit data bus is provided, which is fully transparent to the internal 32-bit architecture. A 32-bit external data bus, with burst mode, is used for high-performance systems. The control logic, the 32-bit video shifter, the printer mechanism control, and the keyboard display control, may all be implemented in a system ASIC. To support RS-232 serial interface, and a Centronics type interface. UART with parallel interface, or a UART with FIFOs, parallel interface, and decode logic, may be used.

PDLs are large programs requiring large amounts of memory for code, font and image storage. The code and font require 512 kBytes for a PCL™ style printer, and 1.5 MBytes for a PostScript type printer.

Series 32000® is a registered trademark of National Semiconductor Corporation.
PCL™ is a trademark of Hewlett Packard Corporation.
PostScript™ is a trademark of Adobe Systems, Incorporated.

SB-113

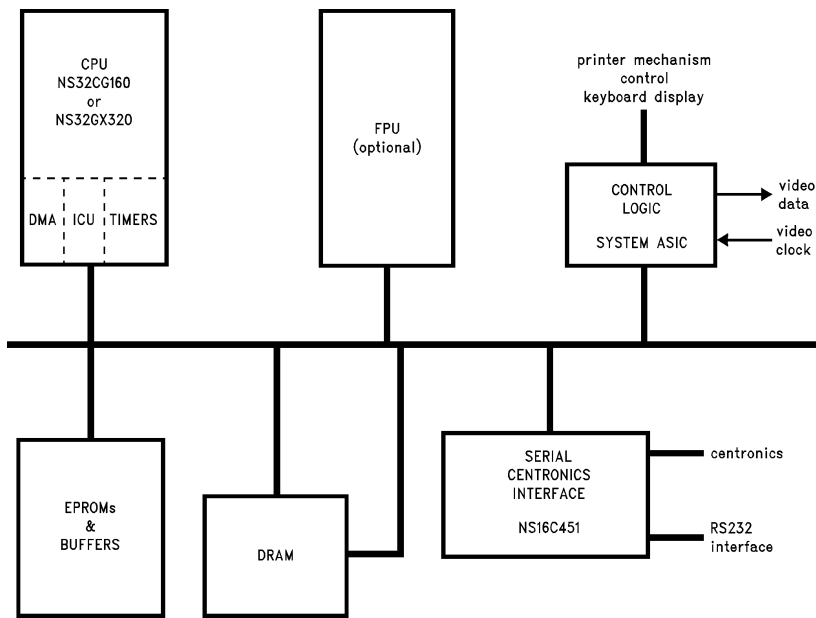


FIGURE 2. Block Diagram of a Laser Printer Controller

TL/F/11006-2

DESIGN CHALLENGES

Performance

Get the best performance for the price.
 For a solid performance of 4 to 15 pages per minute (ppm) printer the NS32CG16, NS32CG160, and NS32FX16, are recommended. For printers of 15 ppm and beyond the NS32GX32 and NS32GX320 are the processors of choice.

Component Count

Reduce component count through efficient bus architecture, integration, and code density.

Code Compactness

Series 32000® Architecture code is the most compact in the industry, and may be some 60% less in size than a generic RISC code, which relates to fewer EPROMs in the system for lower cost and smaller size.

Graphics Support

Graphics supported by dedicated on-chip hardware and specialized instructions for printer operations.

KEY COMPONENTS

NS32CG16, NS32CG160, NS32FX16, NS32GX32 or NS32GX320, NS32081, NS32181 or NS32381 NS32CG821	CPU Function FPU Function
NS16C451/NS16C551	DRAM Controller Designed to Interface with Series 32000 Embedded Processor UART with Parallel Interface, (FIFOs, and Decode Logic) Program and Font Storage
EPROM	Working Space and Data Buffers
DRAM	Setup Storage
EEPROM	

BILL OF MATERIAL OF MAJOR COMPONENTS 15 PPM LBP CONTROLLER

Function	Description	NSC Part	Other Mfg	Qty
CPU	Embedded Processor	NS32GX320		1
FPU	Floating-Point Unit	NS32381		1
Interface	Serial and Parallel Interface	NS16C451		1
<i>Memory</i>				
EPROM	1 Mbyte	NMC27C010		8
DRAM	4 Mbyte			
EEPROM	256 Byte	NMC93CS56		1
Memory Control	DRAM Controller	NS32CG821		1
<i>Logic</i>				
System ASIC	Interface	(Note 1)		1

Note 1: The system ASIC may be designed using National's ASIC capabilities.

LIFE SUPPORT POLICY

NATIONAL'S PRODUCTS ARE NOT AUTHORIZED FOR USE AS CRITICAL COMPONENTS IN LIFE SUPPORT DEVICES OR SYSTEMS WITHOUT THE EXPRESS WRITTEN APPROVAL OF THE PRESIDENT OF NATIONAL SEMICONDUCTOR CORPORATION. As used herein:

1. Life support devices or systems are devices or systems which, (a) are intended for surgical implant into the body, or (b) support or sustain life, and whose failure to perform, when properly used in accordance with instructions for use provided in the labeling, can be reasonably expected to result in a significant injury to the user.
2. A critical component is any component of a life support device or system whose failure to perform can be reasonably expected to cause the failure of the life support device or system, or to affect its safety or effectiveness.



National Semiconductor Corporation
 1111 West Bardin Road
 Arlington, TX 76017
 Tel: 1(800) 272-9959
 Fax: 1(800) 737-7018

National Semiconductor Europe
 Fax: (+49) 0-180-530 85 86
 Email: onjwge@tevm2.nsc.com
 Deutsch Tel: (+49) 0-180-530 85 85
 English Tel: (+49) 0-180-532 78 32
 Français Tel: (+49) 0-180-532 93 58
 Italiano Tel: (+49) 0-180-534 16 80

National Semiconductor Hong Kong Ltd.
 19th Floor, Straight Block,
 Ocean Centre, 5 Canton Rd.
 Tsimshatsui, Kowloon
 Hong Kong
 Tel: (852) 2737-1600
 Fax: (852) 2736-9960

National Semiconductor Japan Ltd.
 Tel: 81-043-299-2309
 Fax: 81-043-299-2408

National does not assume any responsibility for use of any circuitry described, no circuit patent licenses are implied and National reserves the right at any time without notice to change said circuitry and specifications.

IMPORTANT NOTICE

Texas Instruments Incorporated and its subsidiaries (TI) reserve the right to make corrections, modifications, enhancements, improvements, and other changes to its products and services at any time and to discontinue any product or service without notice. Customers should obtain the latest relevant information before placing orders and should verify that such information is current and complete. All products are sold subject to TI's terms and conditions of sale supplied at the time of order acknowledgment.

TI warrants performance of its hardware products to the specifications applicable at the time of sale in accordance with TI's standard warranty. Testing and other quality control techniques are used to the extent TI deems necessary to support this warranty. Except where mandated by government requirements, testing of all parameters of each product is not necessarily performed.

TI assumes no liability for applications assistance or customer product design. Customers are responsible for their products and applications using TI components. To minimize the risks associated with customer products and applications, customers should provide adequate design and operating safeguards.

TI does not warrant or represent that any license, either express or implied, is granted under any TI patent right, copyright, mask work right, or other TI intellectual property right relating to any combination, machine, or process in which TI products or services are used. Information published by TI regarding third-party products or services does not constitute a license from TI to use such products or services or a warranty or endorsement thereof. Use of such information may require a license from a third party under the patents or other intellectual property of the third party, or a license from TI under the patents or other intellectual property of TI.

Reproduction of TI information in TI data books or data sheets is permissible only if reproduction is without alteration and is accompanied by all associated warranties, conditions, limitations, and notices. Reproduction of this information with alteration is an unfair and deceptive business practice. TI is not responsible or liable for such altered documentation. Information of third parties may be subject to additional restrictions.

Resale of TI products or services with statements different from or beyond the parameters stated by TI for that product or service voids all express and any implied warranties for the associated TI product or service and is an unfair and deceptive business practice. TI is not responsible or liable for any such statements.

TI products are not authorized for use in safety-critical applications (such as life support) where a failure of the TI product would reasonably be expected to cause severe personal injury or death, unless officers of the parties have executed an agreement specifically governing such use. Buyers represent that they have all necessary expertise in the safety and regulatory ramifications of their applications, and acknowledge and agree that they are solely responsible for all legal, regulatory and safety-related requirements concerning their products and any use of TI products in such safety-critical applications, notwithstanding any applications-related information or support that may be provided by TI. Further, Buyers must fully indemnify TI and its representatives against any damages arising out of the use of TI products in such safety-critical applications.

TI products are neither designed nor intended for use in military/aerospace applications or environments unless the TI products are specifically designated by TI as military-grade or "enhanced plastic." Only products designated by TI as military-grade meet military specifications. Buyers acknowledge and agree that any such use of TI products which TI has not designated as military-grade is solely at the Buyer's risk, and that they are solely responsible for compliance with all legal and regulatory requirements in connection with such use.

TI products are neither designed nor intended for use in automotive applications or environments unless the specific TI products are designated by TI as compliant with ISO/TS 16949 requirements. Buyers acknowledge and agree that, if they use any non-designated products in automotive applications, TI will not be responsible for any failure to meet such requirements.

Following are URLs where you can obtain information on other Texas Instruments products and application solutions:

Products

Audio	www.ti.com/audio
Amplifiers	amplifier.ti.com
Data Converters	dataconverter.ti.com
DLP® Products	www.dlp.com
DSP	dsp.ti.com
Clocks and Timers	www.ti.com/clocks
Interface	interface.ti.com
Logic	logic.ti.com
Power Mgmt	power.ti.com
Microcontrollers	microcontroller.ti.com
RFID	www.ti-rfid.com
OMAP Mobile Processors	www.ti.com/omap
Wireless Connectivity	www.ti.com/wirelessconnectivity

Applications

Communications and Telecom	www.ti.com/communications
Computers and Peripherals	www.ti.com/computers
Consumer Electronics	www.ti.com/consumer-apps
Energy and Lighting	www.ti.com/energy
Industrial	www.ti.com/industrial
Medical	www.ti.com/medical
Security	www.ti.com/security
Space, Avionics and Defense	www.ti.com/space-avionics-defense
Transportation and Automotive	www.ti.com/automotive
Video and Imaging	www.ti.com/video

TI E2E Community Home Page

e2e.ti.com

Mailing Address: Texas Instruments, Post Office Box 655303, Dallas, Texas 75265
Copyright © 2011, Texas Instruments Incorporated