

## ***AN-815 Variable Range PWM A/D for COP820CJ***

---

### **ABSTRACT**

This application report is an extension of the *AN-607 Pulse Width Modulation A/D Conversion Techniques with COP800 Family Microcontrollers Application Report* ([SNOA118](#)). The basic difference between the previous version and this new approach (patent pending) is that the microcontroller can vary the computing range as required by the signal being measured. This can be done totally in software without any additional hardware.

---

### **Contents**

1	Discussion .....	2
---	------------------	---

### **List of Figures**

1	Basic Circuit .....	2
2	Pulse Waveforms .....	3
3	PWM Flow Diagram .....	4
4	Code Listing .....	5

## 1 Discussion

Microcontrollers such as the COP820CJ that have an on board comparator allow for a very cost effective A/D (refer to [Figure 1](#)). Note that there are two back to back diodes in the circuit diagram in addition to the input resistor and R/C network. The diodes provide a speed up path that assists in initializing the capacitor to equal the unknown input voltage prior to a conversion.

Since the on board comparator has an input limitation of 0.4V to  $V_{CC} - 1.5V$ , time and resolution would be wasted if the R/C network was driven with a PWM signal that was either at GND or  $V_{CC}$  the entire sample time. The waveforms ([Figure 2](#)) used in this example, have a duty cycle for the high and low pulses. High pulses consist of 8 instruction cycles at ground and 16 cycles at  $V_{CC}$ . Thus providing an upper range of  $16/24 (V_{CC})$  or 3.30V for full counts with  $V_{CC} = 5V$ . Low pulses consist of 5 cycles at  $V_{CC}$  and 19 cycles at ground. Thus providing a lower range  $5/24 (V_{CC})$  or 1.041V for zero counts. Equation 1 below illustrates various measurements:

Let:

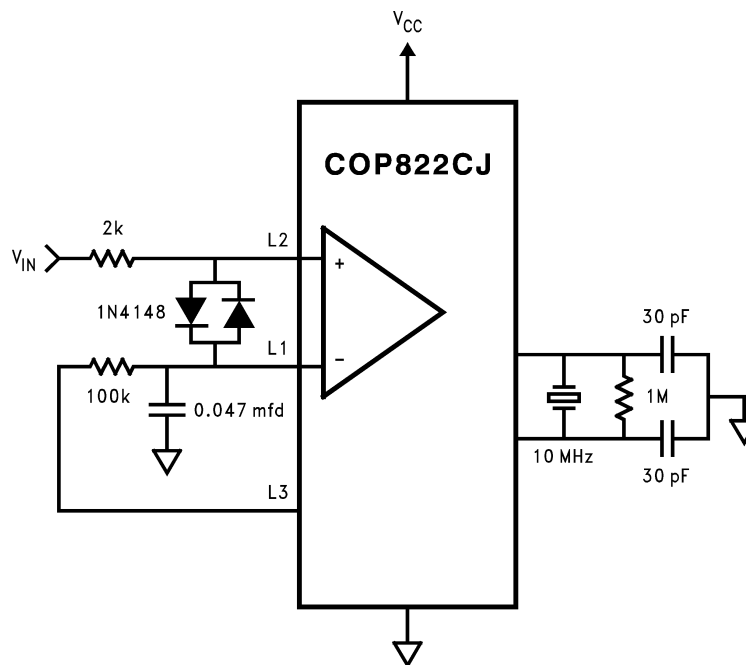
$$V_L = V_{CC} \text{ (low pulse duty cycle); average voltage}$$

$$V_H = V_{CC} \text{ (high pulse duty cycle); average voltage}$$

EQU. 1:

$$V_{IN} = V_L + (V_H - V_L) \times (\text{Ton counts/Total counts}) \quad (1)$$

The flow chart ([Figure 3](#)) and code listing ([Figure 4](#)) uses 100 counts over an input range of 1.0V to 3.30V for 23 mV per count resolution. Many variations of this technique are possible to meet almost any range or speed desired. Simply change the number of counts or the high and low duty cycles. For example, with a known input range of 1.25V–2.5V the low pulse would consist of 6 cycles high and 18 cycles low. High pulses would consist of 12 cycles high and 12 cycles low. Another alternative could involve a rough measurement to determine the approximate range of the input. Following this, duty cycles with an average voltage just below (low pulse) and just above (high pulse) the initial measurement can be used to give a high resolution result relatively fast.



**Figure 1. Basic Circuit**

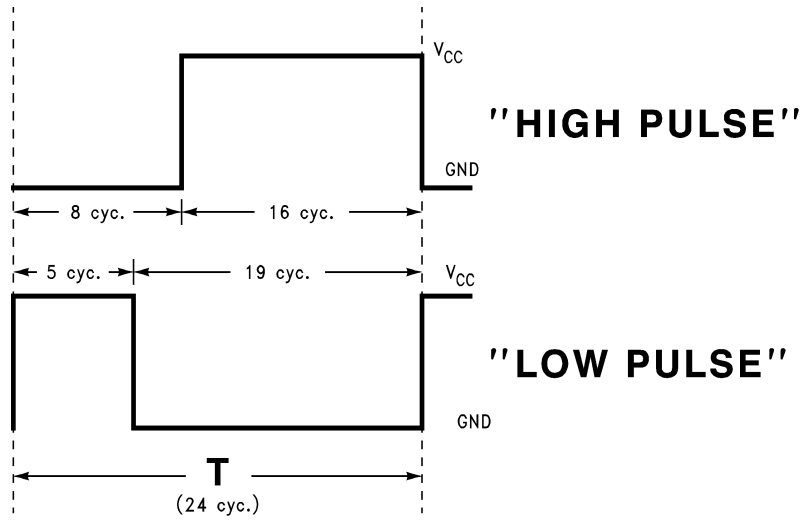


Figure 2. Pulse Waveforms

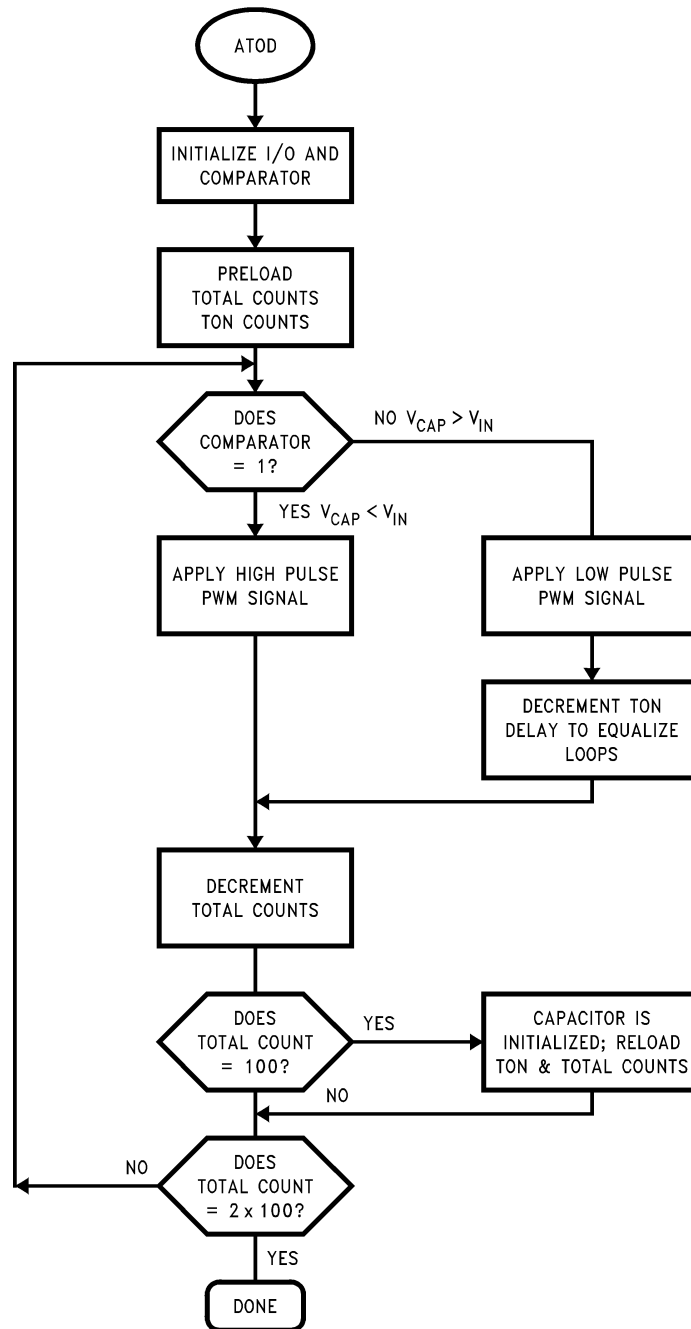


Figure 3. PWM Flow Diagram

```

;FILE VARPWM.TXT, COP822CJ, KEVIN DAUGHERTY 3-30-92
;THIS ROUTINE PROVIDES FOR LIMITED RANGE ON THE INPUT TO AN
;ONBOARD COMPARATOR.
;THE INPUT RANGE FOR THE A/D IS 1V
;TO 3.25V. THIS REQUIRES A HIGH PULSE DUTY CYCLE = 8 LOW
;AND 16 HIGH CYCLES, AND A LOW PULSE DUTY CYCLE = 5 HIGH
;AND 19 LOW CYCLES. L1=(-) COMPARATOR INPUT CONNECTED TO
;R/C NETWORK, L2=(+) INPUT FOR Vin, L3 DRIVES R/C.
;100 COUNTS OF RESOLUTION ARE STORED IN RAM LOCATION 00.
;ZERO COUNTS EQUALS 1V AND 100 COUNTS EQUALS 3.25V
;@Vcc=4.75V. WITH THE RANGE PROPORTIONAL TO THE SUPPLY
;VOLTAGE.
.CHIP 820
CNTRL2=0CC
LDATA=0D0
CMPSL=0B7
LCONF=0D1
TON=0F2
TOTAL=0F0
;
          SBIT 4,CNTRL2 ;SET COMPARATOR ENABLE BIT
          LD LCONF,#00 ;SETUP L1&2 AS INPUTS
          LD LDATA,#00 ;TRISTATE L INPUTS
CONV:    LD A,#02 ;USE FOR COUNTING TOTAL LOOPS
          LD 0F1,#02 ;TOTAL LOOP COUNTER
          LD TOTAL,#064 ;PRELOAD TOTAL =100 COUNTS
          LD TON,#064 ;PRELOAD TON =100 COUNTS
          LD 0FE,#0D0 ;INIT. B REG TO POINT TO Ldata REG
          SBIT 3,LDATA ; L3=HIGH
          SBIT 3,LCONF ; L3=OUTPUT
LOOP:    IFBIT 3,CNTRL2 ;TEST COMPARATOR OUTPUT BIT
          JP HIGH ;JUMP IF COMPARATOR= HIGH
          NOP
          NOP ;EQUALIZE TIME FOR SET AND RESET
          SBIT 3,[B] ;DRIVE L3 HIGH 5 PULSES
          DRSZ TON ;DECREMENT Ton WHEN APPLYING NEG. REF.
          NOP
          RBIT 3,[B] ;DRIVE L3 LOW WHEN COMPARATOR IS LOW.
          NOP ;EQUALIZE HIGH AND LOW LOOP CYCLES
          NOP
          JP COUNT ;JUMP TO COUNT UNLESS TON REACHES ZERO
HIGH:    RBIT 3,[B] ;RESET L3 FOR TOTAL OF 8 CYCLES
          NOP
          NOP
          NOP
          NOP
          NOP
          NOP
          NOP
          SBIT 3,[B] ;DRIVE L3 HIGH FOR TOTAL OF 16 CYCLES
          NOP
          NOP
COUNT:  DRSZ TOTAL ;DEC. TOTAL COUNTS EACH LOOP
          JP LOOP ;JUMP UNLESS TOTAL CNTS.=0
          RBIT 3,LCONF ;TRISTATE L3 TO MINIMIZE ERROR
          RBIT 3,[B] ; " "
          IFEQ A,0F1 ;CHECK FOR 2nd CONVERSION COMPLETE
          JP RELOAD ;IF TRUE
          JP DEC ;OTHERWISE JUMP TO DEC
RELOAD:  LD TON,#064 ;RELOAD TON FOR START OF NEXT CONV.
          LD TOTAL,#064 ;SYNC TON AND TOTAL COUNTS
DEC:     SBIT 3,[B] ;SET L3 HIGH
          SBIT 3,LCONF ;RESTORE L3 AS OUTPUT
          DRSZ 0F1 ;DECREMENT TOTAL LOOP UNTIL ZERO.
          JMP LOOP ;DONE WHEN 0F1 IS ZERO.
          LD A,TON ;LOAD A WITH Ton RESULT
          X A,00 ;STORE RESULTS IN RAM 00
.END

```

**Figure 4. Code Listing**

## IMPORTANT NOTICE

Texas Instruments Incorporated and its subsidiaries (TI) reserve the right to make corrections, enhancements, improvements and other changes to its semiconductor products and services per JESD46, latest issue, and to discontinue any product or service per JESD48, latest issue. Buyers should obtain the latest relevant information before placing orders and should verify that such information is current and complete. All semiconductor products (also referred to herein as "components") are sold subject to TI's terms and conditions of sale supplied at the time of order acknowledgment.

TI warrants performance of its components to the specifications applicable at the time of sale, in accordance with the warranty in TI's terms and conditions of sale of semiconductor products. Testing and other quality control techniques are used to the extent TI deems necessary to support this warranty. Except where mandated by applicable law, testing of all parameters of each component is not necessarily performed.

TI assumes no liability for applications assistance or the design of Buyers' products. Buyers are responsible for their products and applications using TI components. To minimize the risks associated with Buyers' products and applications, Buyers should provide adequate design and operating safeguards.

TI does not warrant or represent that any license, either express or implied, is granted under any patent right, copyright, mask work right, or other intellectual property right relating to any combination, machine, or process in which TI components or services are used. Information published by TI regarding third-party products or services does not constitute a license to use such products or services or a warranty or endorsement thereof. Use of such information may require a license from a third party under the patents or other intellectual property of the third party, or a license from TI under the patents or other intellectual property of TI.

Reproduction of significant portions of TI information in TI data books or data sheets is permissible only if reproduction is without alteration and is accompanied by all associated warranties, conditions, limitations, and notices. TI is not responsible or liable for such altered documentation. Information of third parties may be subject to additional restrictions.

Resale of TI components or services with statements different from or beyond the parameters stated by TI for that component or service voids all express and any implied warranties for the associated TI component or service and is an unfair and deceptive business practice. TI is not responsible or liable for any such statements.

Buyer acknowledges and agrees that it is solely responsible for compliance with all legal, regulatory and safety-related requirements concerning its products, and any use of TI components in its applications, notwithstanding any applications-related information or support that may be provided by TI. Buyer represents and agrees that it has all the necessary expertise to create and implement safeguards which anticipate dangerous consequences of failures, monitor failures and their consequences, lessen the likelihood of failures that might cause harm and take appropriate remedial actions. Buyer will fully indemnify TI and its representatives against any damages arising out of the use of any TI components in safety-critical applications.

In some cases, TI components may be promoted specifically to facilitate safety-related applications. With such components, TI's goal is to help enable customers to design and create their own end-product solutions that meet applicable functional safety standards and requirements. Nonetheless, such components are subject to these terms.

No TI components are authorized for use in FDA Class III (or similar life-critical medical equipment) unless authorized officers of the parties have executed a special agreement specifically governing such use.

Only those TI components which TI has specifically designated as military grade or "enhanced plastic" are designed and intended for use in military/aerospace applications or environments. Buyer acknowledges and agrees that any military or aerospace use of TI components which have **not** been so designated is solely at the Buyer's risk, and that Buyer is solely responsible for compliance with all legal and regulatory requirements in connection with such use.

TI has specifically designated certain components as meeting ISO/TS16949 requirements, mainly for automotive use. In any case of use of non-designated products, TI will not be responsible for any failure to meet ISO/TS16949.

### Products

Audio	<a href="http://www.ti.com/audio">www.ti.com/audio</a>
Amplifiers	<a href="http://amplifier.ti.com">amplifier.ti.com</a>
Data Converters	<a href="http://dataconverter.ti.com">dataconverter.ti.com</a>
DLP® Products	<a href="http://www.dlp.com">www.dlp.com</a>
DSP	<a href="http://dsp.ti.com">dsp.ti.com</a>
Clocks and Timers	<a href="http://www.ti.com/clocks">www.ti.com/clocks</a>
Interface	<a href="http://interface.ti.com">interface.ti.com</a>
Logic	<a href="http://logic.ti.com">logic.ti.com</a>
Power Mgmt	<a href="http://power.ti.com">power.ti.com</a>
Microcontrollers	<a href="http://microcontroller.ti.com">microcontroller.ti.com</a>
RFID	<a href="http://www.ti-rfid.com">www.ti-rfid.com</a>
OMAP Applications Processors	<a href="http://www.ti.com/omap">www.ti.com/omap</a>
Wireless Connectivity	<a href="http://www.ti.com/wirelessconnectivity">www.ti.com/wirelessconnectivity</a>

### Applications

Automotive and Transportation	<a href="http://www.ti.com/automotive">www.ti.com/automotive</a>
Communications and Telecom	<a href="http://www.ti.com/communications">www.ti.com/communications</a>
Computers and Peripherals	<a href="http://www.ti.com/computers">www.ti.com/computers</a>
Consumer Electronics	<a href="http://www.ti.com/consumer-apps">www.ti.com/consumer-apps</a>
Energy and Lighting	<a href="http://www.ti.com/energy">www.ti.com/energy</a>
Industrial	<a href="http://www.ti.com/industrial">www.ti.com/industrial</a>
Medical	<a href="http://www.ti.com/medical">www.ti.com/medical</a>
Security	<a href="http://www.ti.com/security">www.ti.com/security</a>
Space, Avionics and Defense	<a href="http://www.ti.com/space-avionics-defense">www.ti.com/space-avionics-defense</a>
Video and Imaging	<a href="http://www.ti.com/video">www.ti.com/video</a>

### TI E2E Community

[e2e.ti.com](http://e2e.ti.com)