

## **AN-1246 Stresses in Wide Input DC-DC Converters**

---

### **ABSTRACT**

This application note discusses stresses in wide input DC-DC converters.

---

### **Contents**

1	Introduction .....	2
2	Inductor Current Waveforms .....	2
3	Input Capacitor Currents .....	5
4	Output Capacitor Currents .....	6
5	Switch RMS/Avg Current .....	6
6	Average Diode Current/Efficiency .....	7
7	Inductor Energy .....	7
8	Inductor Avg/RMS Currents .....	8
9	Peak Switch Current .....	8
10	Example .....	8

### **List of Figures**

1	Inductor Design - Plot Variations.....	3
2	Buck Regulator IC Used in a Buck-Boost Application.....	9

### **List of Tables**

1	The Worst Input Voltage Condition for Design/Test of a Given Parameter .....	3
2	Design Table: $r = \Delta I/I_{DC}$ , $E_t$ in $V\mu\text{secs}$ , $L$ in $\mu\text{H}$ , $f$ in $\text{Hz}$ , All voltages and currents are magnitudes. ....	10

## 1 Introduction

Experienced power supply designers previously working with one topology who turn their attention to another, know they must shift mental gears quite dramatically. The “rules of the game” change and therefore major design issues will arise if this fact is not recognized at the very outset.

“Equations for all topologies are available, and one just needs to use them”—correct? No, in fact though one of the things this application note also provides is such a set of design equations, that is not enough.

Equations are by nature “single-point” computations. So if for example we input a given operating condition: say  $V_{IN} = 15V$ ,  $V_{OUT} = 5V$ ,  $I_o = 1A$ , we can use the appropriate Buck converter equation to calculate the input capacitor RMS current—valid for this specific condition. But under a more practical scenario suppose  $V_{IN}$  could vary between 8V and 22V, with 15V just representing a vague “nominal” value? What is then the most appropriate input voltage to use to calculate the worst-case input capacitor current? We will find that no set of equations, however complete, guides us to that information directly. So if Designer A “picks” the lowest input voltage 8V, Designer B picks the highest input voltage 22V, and Designer C picks the nominal value of 15V, all of them are actually wrong. For the correct answer here is  $V_{IN} = 10V$ .

Take another example: should the inductor be designed at the highest input or the lowest input voltage of the range? For a Buck it didn't seem to matter too much at what input voltage we design the inductor, but if one applies the same nonchalance to a Boost or a Buck-Boost, there may be no power supply to put through any further testing.

The important point is even while delivering this constant maximum load, the internal currents of the power supply do change their shape, peak values, RMS and average values considerably in response to changes in input voltage. The purpose of this Note is to figure out how these values vary for each topology and to thereby fix a “worst case” design or test condition for each of them. A logical design procedure finally emerges based on the topology on hand.

As mentioned, a comprehensive table of design information ([Table 2](#)) is provided for all the three main topologies: the Buck, the Buck-Boost and the Boost. Unlike most other references in literature, this table is cast in terms of 'r'. This actually makes the table very designer-friendly because it recognizes that the only real degree of design freedom available is the inductor current ripple ratio 'r'. The criterion for selection of 'r' (in fact its actual value too) happens to be the same for any topology, at any application condition, and for any switching frequency. Once 'r' is fixed (usually between 0.3-0.5), everything else is more or less pre-determined. We only have to pay heed to the appropriate input voltage end at which to set 'r', as this can change from one topology to another. It will also be noticed that the design table includes the drops across the switch and diode for all the topologies, something that is not commonly available in related literature. We must realize that because of the ever-shrinking output voltages, these 'negligible' forward “drops” have actually become increasingly important today.

The design procedure based on the design table considers a power supply operating at a constant (maximum) load with a fixed output voltage, whose input voltage is varied. We can predict its response to the resulting variation in duty cycle, and thereby figure out the worst case input test or design condition. Conclusions are summarized in [Table 1](#). The equations are essentially cast in terms of the output voltage ( $V_o$ ), max load (“ $I_o$ ”) and Duty Cycle (“D”), and inductor current ripple ratio (“r”). The input voltage “ $V_{IN}$ ” is not included directly in the stress formulae, as “D” is intended to reflect the input voltage variation. *The most important fact to keep in mind in this article when relating D to  $V_{IN}$  is that for all topologies, low D corresponds to high  $V_{IN}$  and a high D to low  $V_{IN}$  (since output voltage is considered fixed).*

## 2 Inductor Current Waveforms

An inductor current waveform consists of an AC/ramp component “ $\Delta I$ ”, and a DC/average component “ $I_{DC}$ ”, the latter being the geometric center of the ramp. Note that in literature the 'AC' value is usually taken to be half the ramp, but here we are just equating them for convenience. The essential difference between the topologies is that for the Buck, the average inductor current equals the load current at all times, but for the Boost and the Buck-Boost, it is the average diode current that equals the load current. So as from [Table 2](#), it can be shown that

$$I_{DC} = I_o = \text{constant} \quad \text{BUCK} \quad (1)$$

$$I_{DC} = \frac{I_o}{1-D} \propto \frac{1}{1-D} \quad \text{BOOST/BUCK-BOOST} \quad (2)$$

It is clear that the average inductor current for the Boost and the Buck-Boost becomes very high if D approaches 1. Remember that this corresponds to decreasing input voltage " $V_{IN\_MIN}$ ". Therefore the inductor design must be conducted at the lowest input voltage for these topologies. For the Buck there is hardly any dependency of the inductor current to input voltage since the average current depends only on the load (which is considered fixed in our analysis). So for a Buck regulator, as a first pass selection, we often simply pick an inductor with a current rating equal to the load, irrespective of input voltage. These variations are included in the plots shown in Figure 1. Read these in consultation with the listing provided in Table 1

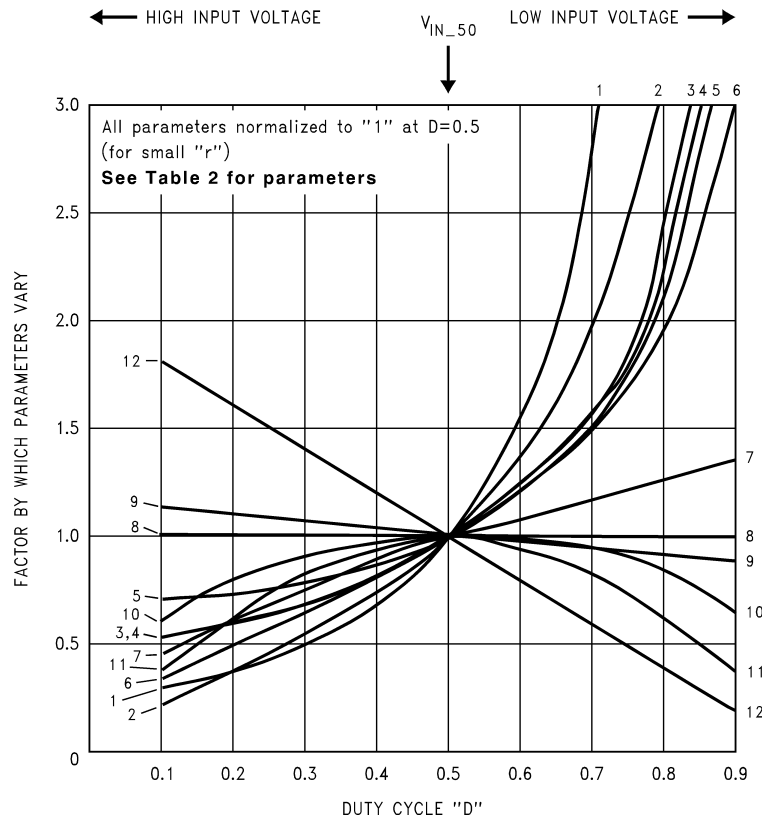


Figure 1. Inductor Design - Plot Variations

Table 1. The Worst Input Voltage Condition for Design/Test of a Given Parameter<sup>(1)</sup>

Parameter	Buck	Boost	Buck-Boost
$\Delta I$ ( $I_{AC}$ in Inductor)	$V_{IN\_MAX}$ 12	$V_{IN\_50}$ 11	$V_{IN\_MAX}$ 12
Core Loss	$V_{IN\_MAX}$	$V_{IN\_50}$	$V_{IN\_MAX}$
Inductor Energy/Core Saturation	$V_{IN\_MAX}/V_{IN}$ 8	$V_{IN\_MIN}$ 1	$V_{IN\_MIN}$ 1
Average Current in Inductor	$V_{IN}$ 8	$V_{IN\_MIN}$ 3	$V_{IN\_MIN}$ 3
RMS Current in Inductor	$V_{IN\_MAX}/V_{IN}$ 8	$V_{IN\_MIN}$ 3	$V_{IN\_MIN}$ 3
Copper Loss/Temperature of Inductor	$V_{IN\_MAX}/V_{IN}$	$V_{IN\_MIN}$	$V_{IN\_MIN}$
RMS Current in Input Capacitor	$V_{IN\_50}$ 10	$V_{IN\_50}$ 11	$V_{IN\_MIN}$ 6
Input Voltage Ripple	$V_{IN\_MAX}/V_{IN}$ 8	$V_{IN\_MAX}$ 12	$V_{IN\_MIN}$ 3

<sup>(1)</sup> Numbers in the columns refer to corresponding numbered curves in Figure 1.  
 $V_{IN}$  means any input voltage is appropriate  
 $V_{IN\_50}$  is input voltage at which D=0.5

**Table 1. The Worst Input Voltage Condition for Design/Test of a Given Parameter<sup>(1)</sup> (continued)**

Parameter	Buck	Boost	Buck-Boost
RMS Current in Output Capacitor	V <sub>IN_MAX</sub> 12	V <sub>IN_MIN</sub> 6	V <sub>IN_MIN</sub> 6
Output Voltage Ripple	V <sub>IN_MAX</sub> 12	V <sub>IN_MIN</sub> 3	V <sub>IN_MIN</sub> 3
RMS Current in Switch	V <sub>IN_MIN</sub> 7	V <sub>IN_MIN</sub> 2	V <sub>IN_MIN</sub> 2
Average Current in Switch	V <sub>IN_MIN</sub>	V <sub>IN_MIN</sub>	V <sub>IN_MIN</sub>
Peak Current in Switch/Diode/Inductor	V <sub>IN_MAX</sub> 9	V <sub>IN_MIN</sub> 4	V <sub>IN_MIN</sub> 5
Average Current in Diode	V <sub>IN_MAX</sub> 12	V <sub>IN</sub> 8	V <sub>IN</sub> 8
Temperature of Diode	V <sub>IN_MAX</sub> 12	V <sub>IN</sub> 8	V <sub>IN</sub> 8
Worst Case Efficiency	V <sub>IN_MAX</sub>	V <sub>IN_MIN</sub>	V <sub>IN_MIN</sub>

The AC component of the inductor current, “I<sub>AC</sub>”, or “ΔI” cannot be fully ignored even for a Buck. This parameter is important, firstly, because along with I<sub>DC</sub>, it determines the peak value of the inductor current. This peak value needs to be known so as to accurately evaluate the energy handling requirement of the inductor (defined as ½\*L\*I<sub>PEAK</sub><sup>2</sup>). If we do not size the inductor accordingly, the core may saturate. But more importantly, for all topologies, this AC component is completely responsible for the core loss. Core loss does not depend on I<sub>DC</sub>, so long as the inductor is not saturating).

Now, for all the topologies, there is an applied voltage “V<sub>ON</sub>” across the inductor when the switch is ON. This causes a certain resulting AC ramp component “ΔI” across the inductor based on the fundamental equation V<sub>ON</sub> = L\*ΔI/(D/f) or ΔI = V<sub>ON</sub>\*D/(L\*f), where f is the frequency. As the input voltage falls, V<sub>ON</sub> decreases helping to lower the ramp component, but at the same time D increases and this helps to promote the ramp. So the interesting question can be asked: what eventually happens to ΔI as input voltage falls?

The equation for ΔI are provided in [Table 2](#). We see that

$$\Delta I \propto (1 - D) \quad \text{BUCK/BUCK-BOOST}$$

$$\Delta I \propto D \cdot (1 - D)$$

So plotting these out in [Figure 1](#), we see that

**ΔI** →— maximum at highest input voltage for Buck/Buck-Boost

**ΔI** →— maximum at V<sub>IN\_50</sub> (or closest voltage) for Boost

where V<sub>IN\_50</sub> is defined here as the input voltage at which D=50% for the topology under consideration. This value is also provided in [Table 2](#). If the input voltage range does not include V<sub>IN\_50</sub>, we must choose either V<sub>IN\_MIN</sub> or V<sub>IN\_MAX</sub>, *whichever happens to be closer to V<sub>IN\_50</sub>*.

We also define a useful parameter called the current ripple ratio “r” which is the ratio of the AC to the DC value of the inductor current, with the converter delivering maximum load. So

$$r = \frac{\Delta I}{I_{DC}} = \frac{\Delta I}{I_0} \quad \text{BUCK} \tag{3}$$

$$r = \frac{\Delta I}{I_{DC}} = \frac{\Delta I}{I_0} \cdot (1 - D) \quad \text{BOOST/BUCK-BOOST} \tag{4}$$

This parameter “r” is important as it determines among other things, the inductance “L”, and the physical size of most of the power components. It can be shown that the size of the inductor is reduced by increasing “r”. However an “r” of 0.3–0.4 represents the most optimum choice for any topology. The reader can refer to AN-1197 for a deeper understanding of how the current ripple ratio relates to the optimization. That particular Application Note is based on the Buck converter, but the same principles apply to all the topologies. In any case, allowing for a greater current ripple than the optimum of 0.3-0.5 (by reducing inductance) does not appreciably reduce the size of the inductor, but does increase the size/requirements of either or both the input/output capacitors. Now, having designed the inductor for a given value of “r” at

the appropriate input voltage end, as discussed earlier, as we vary the input voltage over the expected range, “r” changes accordingly. The equations in [Table 2](#) are cast essentially in terms of “r” and D, as these are the two main parameters that vary with input voltage. The variation of “r” with D is also provided, thus making D the only actual variable in our analysis. The value of the required inductance (based on a chosen “r”) can be found in [Table 2](#), and the physical size of this inductor can be also calculated from the required energy handling capability as listed. More on inductor design later.

### 3 Input Capacitor Currents

A key parameter is the RMS current, “ $I_{IN}$ ”, through the input electrolytic capacitor. It determines the basic/minimum selection criterion since the capacitor must be rated at least for the worst case RMS current that may pass through it. A capacitor operated with an RMS current higher than its rated value, is not guaranteed to have any specific life by most manufacturers. Life expectancy vs. temperature curves/equations as provided, are then not considered to be valid.

From [Table 2](#), for small “r”, we can see that this goes as

$$I_{IN} \propto \sqrt{D \cdot (1 - D)} \quad \text{BUCK} \quad (5)$$

$$I_{IN} \propto \frac{r}{1 - D} \propto \frac{D \cdot (1 - D)^2}{1 - D} = D \cdot (1 - D) \quad \text{BOOST} \quad (6)$$

$$I_{IN} \propto \frac{1}{(1 - D)} \cdot \sqrt{D \cdot (1 - D)} = \sqrt{\frac{D}{1 - D}} \quad \text{BUCK-BOOST} \quad (7)$$

Plotting these out in [Figure 1](#), we can see that

$I_{IN}$  → — maximum at  $V_{IN\_50}$  (or closest voltage) for Buck/Boost

$I_{IN}$  → — maximum at lowest input voltage for Buck-Boost

So the temperature of the output capacitor must also be evaluated at the above input voltages. If the input voltage range does not include  $V_{IN\_50}$ , we must choose either  $V_{IN\_MIN}$  or  $V_{IN\_MAX}$ , *whichever happens to be closer to  $V_{IN\_50}$* .

We are also concerned with the peak to peak current,  $I_{PP\_IN}$  through the input capacitor as this determines the input voltage ripple  $\Delta V_{IN} = I_{PP\_IN} \cdot ESR_{IN}$ , where  $ESR_{IN}$  is the Equivalent Series Resistance of the input capacitor. This input ripple is a major component of the EMI spectrum at the input of the power supply.

From [Table 2](#), for small “r”, we can see that this goes as

$$I_{PP\_IN} \propto \text{constant} \quad \text{BUCK} \quad (8)$$

$$I_{PP\_IN} \propto \frac{r}{1 - D} \propto \frac{(1 - D)^2}{1 - D} = (1 - D) \quad \text{BOOST} \quad (9)$$

$$I_{PP\_IN} \propto \frac{1}{1 - D} \quad \text{BUCK-BOOST} \quad (10)$$

Plotting these out in [Figure 1](#), we can see that

$I_{PP\_IN}$  → — constant/maximum at highest input voltage for Buck

$I_{PP\_IN}$  → — maximum at highest input voltage for Boost

$I_{PP\_IN}$  → — maximum at lowest input voltage for Buck-Boost

For a Buck stage, the input voltage ripple is almost a constant with respect to input voltage variations, provided “r” is very small. However since “r” does increase somewhat at high input voltages, it is preferable to evaluate this parameter at the highest input voltage.

## 4 Output Capacitor Currents

The Output Capacitor also needs to be at least big enough to handle the worst case RMS current through it, “ $I_{OUT}$ ”.

From [Table 2](#), for small “ $r$ ”, we can see that this goes as

$$I_{OUT} \propto r \propto (1 - D) \quad \text{BUCK} \quad (11)$$

$$I_{OUT} \propto \sqrt{\frac{D}{1 - D}} \quad \text{BOOST/BUCK-BOOST} \quad (12)$$

Plotting these out in [Figure 1](#), we can see that

$I_{OUT}$  → — maximum at highest input voltage for Buck

$I_{OUT}$  → — maximum at lowest input voltage for Boost/Buck-Boost

So the temperature of the output capacitor must also be evaluated at the above input voltages.

We are also concerned with the peak to peak current,  $I_{PP\_OUT}$  through the output capacitor as this determines the output voltage ripple  $\Delta V_{OUT} = I_{PP\_OUT} * ESR_{OUT}$ , where  $ESR_{OUT}$  is the Equivalent Series Resistance of the output capacitor. This output ripple is a major component of the noise spectrum at the output of the power supply.

From [Table 2](#), for small “ $r$ ”, we can see that this goes as

$$I_{PP\_OUT} \propto r \propto (1 - D) \quad \text{BUCK} \quad (13)$$

$$I_{PP\_OUT} \propto \frac{1}{1 - D} \quad \text{BOOST/BUCK-BOOST} \quad (14)$$

Plotting these out in [Figure 1](#), we can see that

$I_{PP\_OUT}$  → — maximum at highest input voltage for Buck

$I_{PP\_OUT}$  → — maximum at lowest input voltage for Boost/Buck-Boost

## 5 Switch RMS/Avg Current

For a MOSFET Switch we need to calculate the conduction loss as given by  $I_{RMS}^2 * r_{ds}$ . The crossover losses are lowest at the minimum input voltage. But since they are usually a small fraction of the conduction losses, and are thus ignored here. The  $I_{RMS}$  of the switch varies in the following manner.

From [Table 2](#), for small “ $r$ ”, we can see that this goes as

$$I_{RMS} \propto \sqrt{D} \quad \text{BUCK} \quad (15)$$

$$I_{RMS} \propto \frac{\sqrt{D}}{1 - D} \quad \text{BOOST/BUCK-BOOST} \quad (16)$$

Plotting these out in [Figure 1](#), we can see that

$I_{RMS}$  → — maximum at lowest input voltage for Buck/Boost/Buck-Boost

It should however be noted that for a Buck, the dissipation in the Switch at low input voltages goes up only slightly, but for the remaining topologies, this dissipation is expected to go up steeply at low input voltages, leading to a large drop in efficiency. In [Table 2](#), the average switch current is also provided, for calculation of dissipation in bipolar switches. It can be shown that the above conclusions for RMS are also valid for the average value of the switch current (which is required to calculate the conduction loss for a bipolar switch).

Talking about efficiency leads to the other main component of loss in a power supply, the diode loss. We will now see how this varies, and what it implies for the effect of input variations on the efficiency of the power supply.

## 6 Average Diode Current/Efficiency

For a diode we need to calculate the forward loss as given by  $I_{AVG} \cdot V_D$ , where “ $V_D$ ” is the drop across the diode when it conducts. For the Boost and the Buck-Boost, the average diode current is the load current, so it is not going to change with duty cycle. But for the Buck it does vary.

From [Table 2](#), we can see that this goes as

$$I_{AVG} \propto (1 - D) \quad \text{BUCK}$$

$$I_{AVG} \propto \text{constant} \quad \text{BOOST/BUCK-BOOST}$$

Plotting these out in [Figure 1](#), we can see that

$I_{AVG}$  →— maximum at highest input voltage for Buck

$I_{AVG}$  →— constant for Boost/Buck-Boost

We saw that the dissipation in the switch of a Buck remains almost constant as input voltage increases, and now we see that the diode dissipation however increases as we do so. So we expect the efficiency of a Buck regulator to *fall at high input voltages on account of increased diode dissipation*. For the Boost and Buck-Boost, the diode dissipation does not change as input voltage falls, but the switch dissipation increases dramatically. So we expect the efficiency of a Boost or a Buck-Boost to *fall at low input voltages on account of increased switch dissipation* (unless crossover losses are very large, in which case the reverse is occasionally found to be true).

For diode temperatures, we need to test a Buck regulator at the highest input voltage. For the other topologies, it does not matter. This is shown as “ $V_{IN}$ ” in [Table 1](#), implying any input voltage.

This also tells us at what input voltage we need to check efficiency check of a power supply. It clearly varies from topology to topology. See [Table 1](#).

## 7 Inductor Energy

The “Energy Handling Capability” is  $e = \frac{1}{2} \cdot L \cdot I_{PEAK}^2$ . This parameter literally “sizes” up the inductor for a given application. Note that the size is not determined just by inductance, since almost any inductance can be theoretically achieved on any core, simply by winding the appropriate number of turns on it. The complete equations for “e” are provided in [Table 2](#). For our analysis here, we first make an approximation for the rather complicated term involving “r”. Assuming “r” to be small this term becomes

$$r \cdot \left[ \frac{2}{r} + 1 \right]^2 \approx r \cdot \left[ \frac{2}{r} \right]^2 \propto \frac{1}{r} \quad (17)$$

From [Table 2](#), for small “r”, we can see that the Energy handling Capability goes as

$$e \propto \frac{Et}{r} \propto \frac{(1 - D)}{(1 - D)} = 1 \quad \text{BUCK} \quad (18)$$

$$e \propto \frac{Et}{(1 - D) \cdot r} \propto \frac{D \cdot (1 - D)}{D \cdot (1 - D)^3} \propto \frac{1}{(1 - D)^2} \quad \text{BOOST} \quad (19)$$

$$e \propto \frac{Et}{(1 - D) \cdot r} \propto \frac{(1 - D)}{(1 - D)^3} \propto \frac{1}{(1 - D)^2} \quad \text{BUCK-BOOST} \quad (20)$$

Plotting these out in [Figure 1](#), we can see that

**e** →— constant/maximum at highest input voltage for Buck

**e** →— maximum at lowest input voltage for Boost/Buck-Boost

Note that for both the Boost and the Buck-Boost, the required energy handling capability increases dramatically as duty cycle approaches 0.6. This is known to designers of front-end PFC stages. Such stages are typically of Boost topology, providing an internal 400VDC rail from a worldwide AC input. It is seen that the size of the required inductor goes up sharply as the minimum input voltage falls, and so the inductor design should be carried out at the minimum input voltage. As for the Buck, some designers use the maximum input voltage, some the minimum, and some simply use the nominal input voltage. It really does not matter too much, provided “r” is, and remains, small as we assumed. In reality, “r” does increase as input voltage increases (thereby causing a slight increase in peak value), so it is preferable to design the inductor of a buck regulator for the highest input voltage.



## 8 Inductor Avg/RMS Currents

If “r” is small, the average and RMS values of the inductor current are the same, “ $I_L$ ”. The copper loss in the inductor is  $I_L^2 \cdot R$ , where “R” is the winding resistance. The copper loss is usually very large compared to the core loss (which depends on  $\Delta I$ , as discussed earlier), and largely determines the temperature rise of the inductor.

From [Table 2](#), for small “r”, we can see that the RMS/Avg current goes as

$$I_L \propto \text{constant} \quad \text{BUCK} \quad (21)$$

$$I_L \propto \frac{1}{(1 - D)} \quad \text{BOOST/BUCK-BOOST} \quad (22)$$

We can see that for the Boost and Buck-Boost, if D is large,  $I_L$  increases. Therefore when evaluating copper loss or temperature rise of the inductor for these, we need to use the minimum input voltage. For the Buck, since “r” does increase with increasing input voltage, the RMS value of the inductor current is also higher, and so we should use the maximum input voltage.

$I_L \rightarrow$ — constant/maximum at highest input voltage for Buck

$I_L \rightarrow$ — maximum at lowest input voltage for Boost/Buck-Boost

## 9 Peak Switch Current

This parameter is important because every controller has a current limit for the switch, and if the calculated peak exceeds the lowest value possible of the switch current limit, *anywhere in the input voltage range*, the required output power cannot be delivered. The peak current in a Buck is just a little higher than the load current, and so for example, the LM2593HV “Step Down (Buck) regulator” IC from National Semiconductor, which is designed for “2A load”, has a minimum set value of 2.3A for the switch current limit. Yet, as seen in [Figure 2](#), and from the datasheet of this device, this Buck IC can be operated as a “positive to negative” regulator, which is actually a standard Buck-Boost topology. In this mode, the peak current values are much higher, as can be seen from [Table 2](#), and in fact depend not only on load, but on the duty cycle/input voltage too. We now try to see how the peak current values vary for all the topologies, with changes in input voltage.

From [Table 2](#), for small “r”, we can see that the peak current goes as

$$I_{PEAK} \propto \left[ 1 + \frac{r}{2} \right] \propto \left[ 2 + (1 - D) \right] = (3 - D) \quad \text{BUCK} \quad (23)$$

$$I_{PEAK} \propto \frac{\left[ 1 + \frac{r}{2} \right]}{1 - D} \propto \frac{\left[ 2 + (D \cdot (1 - D)^2) \right]}{1 - D} \quad \text{BOOST} \quad (24)$$

$$I_{PEAK} \propto \frac{\left[ 1 + \frac{r}{2} \right]}{1 - D} \propto \frac{\left[ 2 + (1 - D)^2 \right]}{1 - D} \quad \text{BUCK-BOOST} \quad (25)$$

Plotting these in [Figure 1](#) we see that for the Boost and the Buck-Boost the peak value of switch current occurs at maximum duty cycle (minimum input voltage), whereas for the Buck this occurs at lowest duty cycle (highest input voltage). Therefore Current Limit must be tested at minimum input voltage for the Boost and the Buck-Boost, but for the Buck we must go to the highest input voltage. We conclude

$I_{PEAK} \rightarrow$ — maximum at highest input voltage for Buck

$I_{PEAK} \rightarrow$ — maximum at lowest input voltage for Boost/Buck-Boost

Therefore the designer can use [Table 2](#) to calculate the peak current, but must do so at the lowest input voltage for the Boost and Buck-Boost, to ensure that it is less than the current limit. For a Buck, the peak current must be calculated and compared to the current limit at the highest input voltage.

## 10 Example

**The LM2593HV (5V fixed output version) is to be used to generate a –5V output from an input voltage ranging from 4.5V to 20V. This is a 150 kHz Buck Regulator IC with a switch current limit of 2.3A (min). What is the maximum load it can deliver in this positive to negative configuration. (Assume  $V_D = 0.5V$  and  $V_{SW} = 1.5V$ ).**



The inductor design must be done at the minimum input i.e. 4.5V for a Buck-Boost topology according to the guidelines in Table 1. We fix an “r” of 0.3 as this always represents an optimum size for the inductor. The worst-case peak current in the switch for a buck-boost (which this is) corresponds to the curve #5 from Table 1. Looking for this curve in Figure 1 shows that this reaches its maximum at high duty cycle (low input voltage). Therefore we can proceed with this peak switch current calculation at the minimum input voltage, at which we will also perform the inductor design.

The duty cycle is calculated from Table 2

$$D = \frac{V_0 + V_D}{V_{IN} + V_0 - V_{SW} + V_D} = \frac{5 + 0.5}{4.5 + 5 - 1.5 + 0.5}$$

- $D = 0.65$  (26)

The peak current in the switch is

$$I_{PEAK} = \frac{I_0}{1 - D} \cdot \left[ 1 + \frac{r}{2} \right]$$
(27)

So setting  $I_{PEAK} = 2.3A$ , we can solve for  $I_0$

$$I_0 = \frac{I_{PEAK} \cdot (1 - D)}{\left( 1 + \frac{r}{2} \right)} = \frac{2.3 \cdot (1 - 0.65)}{\left( 1 + \frac{0.3}{2} \right)}$$

- $I_0 = 0.7A$  (28)

So we can assure ourselves of only a maximum load of 0.7A in this configuration. The required L can be evaluated from Table 2

$$L = \frac{V_0 + V_D}{I_0 \cdot r \cdot f} \cdot (1 - D)^2 \cdot 10^6 \mu H$$
(29)

$$L = \frac{5 + 0.5}{0.7 \cdot 0.3 \cdot 150000} \cdot (1 - 0.65)^2 \cdot 10^6 \mu H$$

- $L = 21.4 \mu H$  (30)

This is the minimum inductance for the application. If the inductance is higher than this, the calculated peak current may exceed the current limit of the device, causing foldback. Remaining parameters/ratings can be calculated in a similar way, by looking at Table 2, but using the guidelines from Table 1.

Note that if we want to estimate core losses in the inductor, which depends on the AC swing  $\Delta I$ , this has a maximum at highest input voltage, not at minimum input voltage. So we would need to first set  $r = 0.3$  at the lowest input voltage, then calculate the required inductance, and then finally to use the equations for  $\Delta I$ , to calculate it at the highest input voltage. Basically “L” forms the required “bridge” to go from one voltage end to another, because once we fix its value, it remains so. Everything else can change.

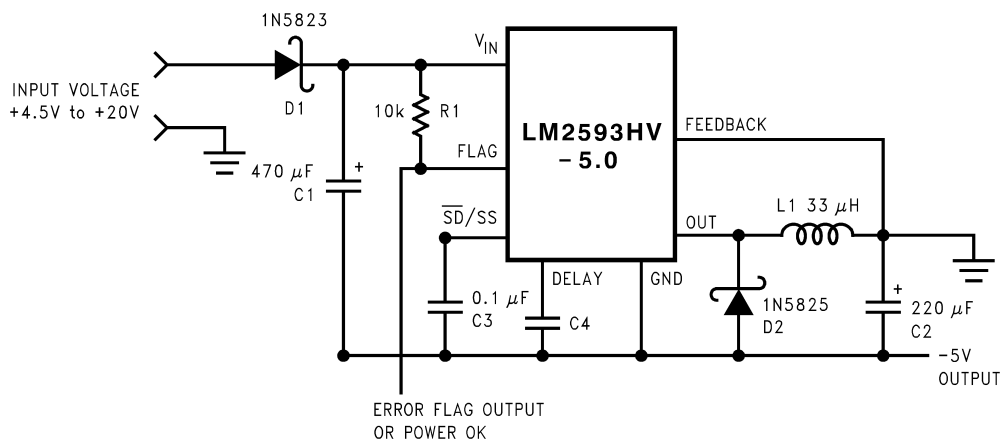


Figure 2. Buck Regulator IC Used in a Buck-Boost Application

**Table 2. Design Table:  $r = \Delta I / I_{DC}$ , Et in  $\mu\text{s}$ , L in  $\mu\text{H}$ , f in Hz, All voltages and currents are magnitudes.**

Parameter	Buck	Boost	Buck-Boost
Duty Cycle	$\frac{V_O + V_D}{V_{IN} - V_{SW} + V_D}$	$\frac{V_O - V_{IN} + V_D}{V_O - V_{SW} + V_D}$	$\frac{V_O + V_D}{V_{IN} + V_O - V_{SW} + V_D}$
$V_{IN\_50}(V)$	$(2 \cdot V_O) + V_{SW} + V_D \approx 2 \cdot V_O$	$\frac{1}{2} \cdot [V_O + V_{SW} + V_D] \approx \frac{V_O}{2}$	$V_O + V_{SW} + V_D \approx V_O$
Output Voltage, $V_O (V)$	$\frac{V_{IN} \cdot D - V_{SW} \cdot D - V_D \cdot (1 - D)}{(1 - D)}$	$\frac{V_{IN} - V_{SW} \cdot D - V_D \cdot (1 - D)}{1 - D}$	$\frac{V_{IN} \cdot D - V_{SW} \cdot D - V_D \cdot (1 - D)}{1 - D}$
Et ( $\mu\text{sec}$ )	$\frac{V_O + V_D}{f} \cdot (1 - D) \cdot 10^6$	$\frac{V_O - V_{SW} + V_D}{f} \cdot D \cdot (1 - D) \cdot 10^6$	$\frac{V_O + V_D}{f} \cdot (1 - D) \cdot 10^6$
L ( $\mu\text{H}$ )	$\frac{V_O + V_D}{I_O \cdot r \cdot f} \cdot (1 - D) \cdot 10^6$	$\frac{V_O - V_{SW} + V_D}{I_O \cdot r \cdot f} \cdot D \cdot (1 - D)^2 \cdot 10^6$	$\frac{V_O + V_D}{I_O \cdot r \cdot f} \cdot (1 - D)^2 \cdot 10^6$
"r"	$\frac{V_O + V_D}{I_O \cdot L \cdot f} \cdot (1 - D) \cdot 10^6$	$\frac{V_O - V_{SW} + V_D}{I_O \cdot L \cdot f} \cdot D \cdot (1 - D)^2 \cdot 10^6$	$\frac{V_O + V_D}{I_O \cdot L \cdot f} \cdot (1 - D)^2 \cdot 10^6$
$\Delta I (A)$	$\frac{V_O + V_D}{L \cdot f} \cdot (1 - D) \cdot 10^6$	$\frac{V_O - V_{SW} + V_D}{L \cdot f} \cdot D \cdot (1 - D) \cdot 10^6$	$\frac{V_O + V_D}{L \cdot f} \cdot (1 - D) \cdot 10^6$
RMS Current in Input Cap (A)	$I_O \cdot \sqrt{D \cdot \left[1 - D + \frac{r^2}{12}\right]}$	$\frac{I_O}{1 - D} \cdot \frac{r}{\sqrt{12}}$	$\frac{I_O}{1 - D} \cdot \sqrt{D \cdot \left[1 - D + \frac{r^2}{12}\right]}$
$I_{PP}$ in Input Capacitor (A)	$I_O \cdot \left[1 + \frac{r}{2}\right]$	$\frac{I_O \cdot r}{1 - D}$	$\frac{I_O}{1 - D} \cdot \left[1 + \frac{r}{2}\right]$
RMS Current in Output Cap (A)	$I_O \cdot \frac{r}{\sqrt{12}}$	$I_O \cdot \sqrt{\frac{D + \frac{r^2}{12}}{1 - D}}$	$I_O \cdot \sqrt{\frac{D + \frac{r^2}{12}}{1 - D}}$
$I_{PP}$ in Output Capacitor (A)	$I_O \cdot r$	$\frac{I_O}{1 - D} \cdot \left[1 + \frac{r}{2}\right]$	$\frac{I_O}{1 - D} \cdot \left[1 + \frac{r}{2}\right]$
Energy Handling Capability ( $\mu\text{Joules}$ )	$\frac{I_O \cdot Et}{8} \cdot \left[r \cdot \left(\frac{2}{r} + 1\right)^2\right]$	$\frac{I_O \cdot Et}{8 \cdot (1 - D)} \cdot \left[r \cdot \left(\frac{2}{r} + 1\right)^2\right]$	$\frac{I_O \cdot Et}{8 \cdot (1 - D)} \cdot \left[r \cdot \left(\frac{2}{r} + 1\right)^2\right]$
RMS Current in Inductor (A)	$I_O \cdot \sqrt{1 + \frac{r^2}{12}}$	$\frac{I_O}{1 - D} \cdot \sqrt{1 + \frac{r^2}{12}}$	$\frac{I_O}{1 - D} \cdot \sqrt{1 + \frac{r^2}{12}}$
Average Current in Inductor (A)	$I_O$	$\frac{I_O}{1 - D}$	$\frac{I_O}{1 - D}$
RMS Current in Switch (A)	$I_O \cdot \sqrt{D \cdot \left[1 + \frac{r^2}{12}\right]}$	$\frac{I_O}{1 - D} \cdot \sqrt{D \cdot \left[1 + \frac{r^2}{12}\right]}$	$\frac{I_O}{1 - D} \cdot \sqrt{D \cdot \left[1 + \frac{r^2}{12}\right]}$
Peak Current Switch/Diode/Inductor (A)	$I_O \cdot \left[1 + \frac{r}{2}\right]$	$\frac{I_O}{1 - D} \cdot \left[1 + \frac{r}{2}\right]$	$\frac{I_O}{1 - D} \cdot \left[1 + \frac{r}{2}\right]$
Average Current in Switch (A)	$I_O \cdot D$	$I_O \cdot \frac{D}{1 - D}$	$I_O \cdot \frac{D}{1 - D}$
Average Current in Diode (A)	$I_O \cdot (1 - D)$	$I_O$	$I_O$

## IMPORTANT NOTICE

Texas Instruments Incorporated and its subsidiaries (TI) reserve the right to make corrections, enhancements, improvements and other changes to its semiconductor products and services per JESD46, latest issue, and to discontinue any product or service per JESD48, latest issue. Buyers should obtain the latest relevant information before placing orders and should verify that such information is current and complete. All semiconductor products (also referred to herein as "components") are sold subject to TI's terms and conditions of sale supplied at the time of order acknowledgment.

TI warrants performance of its components to the specifications applicable at the time of sale, in accordance with the warranty in TI's terms and conditions of sale of semiconductor products. Testing and other quality control techniques are used to the extent TI deems necessary to support this warranty. Except where mandated by applicable law, testing of all parameters of each component is not necessarily performed.

TI assumes no liability for applications assistance or the design of Buyers' products. Buyers are responsible for their products and applications using TI components. To minimize the risks associated with Buyers' products and applications, Buyers should provide adequate design and operating safeguards.

TI does not warrant or represent that any license, either express or implied, is granted under any patent right, copyright, mask work right, or other intellectual property right relating to any combination, machine, or process in which TI components or services are used. Information published by TI regarding third-party products or services does not constitute a license to use such products or services or a warranty or endorsement thereof. Use of such information may require a license from a third party under the patents or other intellectual property of the third party, or a license from TI under the patents or other intellectual property of TI.

Reproduction of significant portions of TI information in TI data books or data sheets is permissible only if reproduction is without alteration and is accompanied by all associated warranties, conditions, limitations, and notices. TI is not responsible or liable for such altered documentation. Information of third parties may be subject to additional restrictions.

Resale of TI components or services with statements different from or beyond the parameters stated by TI for that component or service voids all express and any implied warranties for the associated TI component or service and is an unfair and deceptive business practice. TI is not responsible or liable for any such statements.

Buyer acknowledges and agrees that it is solely responsible for compliance with all legal, regulatory and safety-related requirements concerning its products, and any use of TI components in its applications, notwithstanding any applications-related information or support that may be provided by TI. Buyer represents and agrees that it has all the necessary expertise to create and implement safeguards which anticipate dangerous consequences of failures, monitor failures and their consequences, lessen the likelihood of failures that might cause harm and take appropriate remedial actions. Buyer will fully indemnify TI and its representatives against any damages arising out of the use of any TI components in safety-critical applications.

In some cases, TI components may be promoted specifically to facilitate safety-related applications. With such components, TI's goal is to help enable customers to design and create their own end-product solutions that meet applicable functional safety standards and requirements. Nonetheless, such components are subject to these terms.

No TI components are authorized for use in FDA Class III (or similar life-critical medical equipment) unless authorized officers of the parties have executed a special agreement specifically governing such use.

Only those TI components which TI has specifically designated as military grade or "enhanced plastic" are designed and intended for use in military/aerospace applications or environments. Buyer acknowledges and agrees that any military or aerospace use of TI components which have **not** been so designated is solely at the Buyer's risk, and that Buyer is solely responsible for compliance with all legal and regulatory requirements in connection with such use.

TI has specifically designated certain components as meeting ISO/TS16949 requirements, mainly for automotive use. In any case of use of non-designated products, TI will not be responsible for any failure to meet ISO/TS16949.

### Products

Audio	<a href="http://www.ti.com/audio">www.ti.com/audio</a>
Amplifiers	<a href="http://amplifier.ti.com">amplifier.ti.com</a>
Data Converters	<a href="http://dataconverter.ti.com">dataconverter.ti.com</a>
DLP® Products	<a href="http://www.dlp.com">www.dlp.com</a>
DSP	<a href="http://dsp.ti.com">dsp.ti.com</a>
Clocks and Timers	<a href="http://www.ti.com/clocks">www.ti.com/clocks</a>
Interface	<a href="http://interface.ti.com">interface.ti.com</a>
Logic	<a href="http://logic.ti.com">logic.ti.com</a>
Power Mgmt	<a href="http://power.ti.com">power.ti.com</a>
Microcontrollers	<a href="http://microcontroller.ti.com">microcontroller.ti.com</a>
RFID	<a href="http://www.ti-rfid.com">www.ti-rfid.com</a>
OMAP Applications Processors	<a href="http://www.ti.com/omap">www.ti.com/omap</a>
Wireless Connectivity	<a href="http://www.ti.com/wirelessconnectivity">www.ti.com/wirelessconnectivity</a>

### Applications

Automotive and Transportation	<a href="http://www.ti.com/automotive">www.ti.com/automotive</a>
Communications and Telecom	<a href="http://www.ti.com/communications">www.ti.com/communications</a>
Computers and Peripherals	<a href="http://www.ti.com/computers">www.ti.com/computers</a>
Consumer Electronics	<a href="http://www.ti.com/consumer-apps">www.ti.com/consumer-apps</a>
Energy and Lighting	<a href="http://www.ti.com/energy">www.ti.com/energy</a>
Industrial	<a href="http://www.ti.com/industrial">www.ti.com/industrial</a>
Medical	<a href="http://www.ti.com/medical">www.ti.com/medical</a>
Security	<a href="http://www.ti.com/security">www.ti.com/security</a>
Space, Avionics and Defense	<a href="http://www.ti.com/space-avionics-defense">www.ti.com/space-avionics-defense</a>
Video and Imaging	<a href="http://www.ti.com/video">www.ti.com/video</a>

### TI E2E Community

[e2e.ti.com](http://e2e.ti.com)