

LB-25

LB-25 True rms Detector



Literature Number: SNOA690

True rms Detector

National Semiconductor
Linear Brief 25
June 1973



True rms Detector

INTRODUCTION

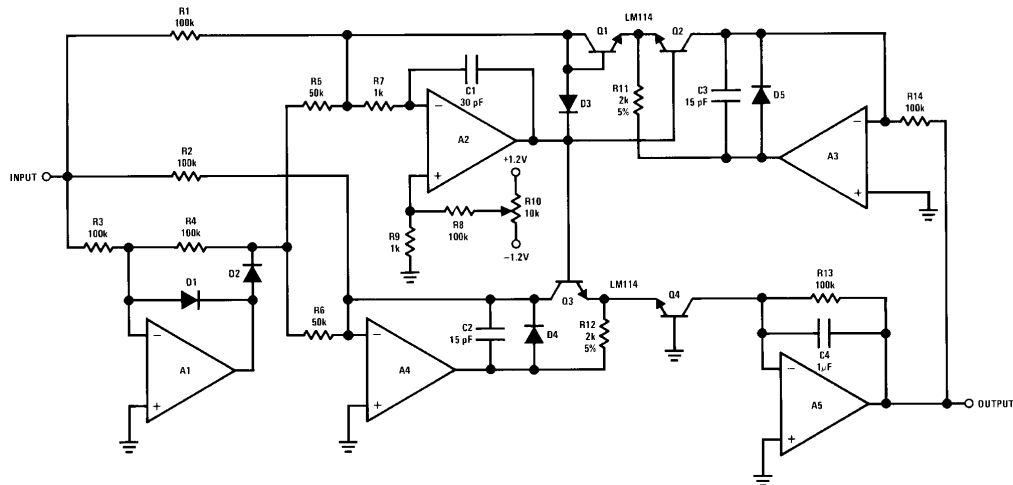
The op amp precision rectifier circuits have greatly eased the problems of AC to DC conversion. It is possible to measure millivolt AC signal with a DC meter with better than 1% accuracy. Inaccuracy due to diode turn-on and nonlinearity is eliminated, and precise rectification of low level signals is obtained.

Once the signal is rectified, it is normally filtered to obtain a smooth DC output. The output is proportional to the average value of the AC input signal, rather than the root mean square. With known input waveforms such as a sine, triangle, or square; this is adequate since there is a known proportionality between rms and average values. However, when the waveform is complex or unknown, a direct readout of the rms value is desirable.

The circuit shown will provide a DC output equal to the rms value of the input. Accuracy is typically 2% for a 20 V_{p-p}

input signal from 50 Hz to 100 kHz, although it's usable to about 500 kHz. The lower frequency is limited by the size of the filter capacitor. Further, since the input is DC coupled, it can provide the true rms equivalent of a DC and AC signal.

Basically, the circuit is a precision absolute value circuit connected to a one-quadrant multiplier/divider. Amplifier A1 is the absolute value amplifier and provides a positive input current to amplifiers A2 and A4 independent of signal polarity. If the input signal is positive, A1's output is clamped at $-0.6V$, D2 is reverse biased, and no signal flows through R5 and R6. Positive signal current flows through R1 and R2 into the summing junctions of A2 and A4. When the input is negative, an inverted signal appears at the output of A1 (output is taken from D2). This is summed through R5 and R6 with the input signal from R1 and R2. Twice the current flows through R5 and R6 and the net input to A2 and A4 is positive.



- Note 1: All operational amplifiers are LM118.
- Note 2: All resistors are 1% unless otherwise specified.
- Note 3: All diodes are 1N914.
- Note 4: Supply voltage $\pm 15V$.

TL/H/8474-1

LB-25

Amplifiers A2 through A5 with transistors Q1 through Q4 form a log multiplier/divider. Since the currents into the op amps are negligible, all the input currents flow through the logging transistors. Assuming the transistors to be matched, the V_{be} of Q4 is:

$$V_{be}(Q4) = V_{be}(Q1) + V_{be}(Q3) - V_{be}(Q2)$$

The V_{be} 's of these transistors are logarithmically proportional to their collector currents so

$$\log(I_{C4}) = \log(I_{C1}) + \log(I_{C3}) - \log(I_{C2})$$

$$\text{or } I_{C4} = \frac{I_{C1}I_{C3}}{I_{C2}}$$

where I_{C1} , I_{C2} , I_{C3} , and I_{C4} are the collector currents of transistors Q1-Q4.

Since I_{C1} equal I_{C3} and is proportional to the input, the square of the input signal is generated. The square of the input appears as the collector current of Q4. Averaging is done by C4, giving a mean square output. The filtered

output of Q4 is fed back to Q2 to perform continuous division where the divisor is proportional to the output signal for a true root mean square output.

Due to mismatches in transistors, it is necessary to calibrate the circuit. This is accomplished by feeding a small offset into amplifier A2. A 10V DC input signal is applied, and R10 is adjusted for a 10V DC output. The adjustment of R10 changes the gain of the multiplier by adding or subtracting voltage from the log voltages generated by the transistors. Therefore, both the resistor inaccuracies and V_{be} mismatches are corrected.

For best results, transistors Q1 through Q4 should be matched, have high beta, and be at the same temperature. Since dual transistors are common, good results can be obtained if Q1, Q2 and Q3, Q4 are paired. They should be mounted in close proximity or on a common heat sink, if possible. As a final note, it is necessary to bypass all op amps with 0.1 μ F disc capacitors.

LIFE SUPPORT POLICY

NATIONAL'S PRODUCTS ARE NOT AUTHORIZED FOR USE AS CRITICAL COMPONENTS IN LIFE SUPPORT DEVICES OR SYSTEMS WITHOUT THE EXPRESS WRITTEN APPROVAL OF THE PRESIDENT OF NATIONAL SEMICONDUCTOR CORPORATION. As used herein:

1. Life support devices or systems are devices or systems which, (a) are intended for surgical implant into the body, or (b) support or sustain life, and whose failure to perform, when properly used in accordance with instructions for use provided in the labeling, can be reasonably expected to result in a significant injury to the user.
2. A critical component is any component of a life support device or system whose failure to perform can be reasonably expected to cause the failure of the life support device or system, or to affect its safety or effectiveness.



National Semiconductor Corporation
 1111 West Bardin Road
 Arlington, TX 76017
 Tel: 1(800) 272-9959
 Fax: 1(800) 737-7018

National Semiconductor Europe
 Fax: (+49) 0-180-530 85 86
 Email: cnjwge@tevm2.nsc.com
 Deutsch Tel: (+49) 0-180-530 85 85
 English Tel: (+49) 0-180-532 78 32
 Français Tel: (+49) 0-180-532 93 58
 Italiano Tel: (+49) 0-180-534 16 80

National Semiconductor Hong Kong Ltd.
 19th Floor, Straight Block,
 Ocean Centre, 5 Canton Rd.
 Tsimshatsui, Kowloon
 Hong Kong
 Tel: (852) 2737-1600
 Fax: (852) 2736-9960

National Semiconductor Japan Ltd.
 Tel: 81-043-299-2309
 Fax: 81-043-299-2408

National does not assume any responsibility for use of any circuitry described, no circuit patent licenses are implied and National reserves the right at any time without notice to change said circuitry and specifications.

IMPORTANT NOTICE

Texas Instruments Incorporated and its subsidiaries (TI) reserve the right to make corrections, modifications, enhancements, improvements, and other changes to its products and services at any time and to discontinue any product or service without notice. Customers should obtain the latest relevant information before placing orders and should verify that such information is current and complete. All products are sold subject to TI's terms and conditions of sale supplied at the time of order acknowledgment.

TI warrants performance of its hardware products to the specifications applicable at the time of sale in accordance with TI's standard warranty. Testing and other quality control techniques are used to the extent TI deems necessary to support this warranty. Except where mandated by government requirements, testing of all parameters of each product is not necessarily performed.

TI assumes no liability for applications assistance or customer product design. Customers are responsible for their products and applications using TI components. To minimize the risks associated with customer products and applications, customers should provide adequate design and operating safeguards.

TI does not warrant or represent that any license, either express or implied, is granted under any TI patent right, copyright, mask work right, or other TI intellectual property right relating to any combination, machine, or process in which TI products or services are used. Information published by TI regarding third-party products or services does not constitute a license from TI to use such products or services or a warranty or endorsement thereof. Use of such information may require a license from a third party under the patents or other intellectual property of the third party, or a license from TI under the patents or other intellectual property of TI.

Reproduction of TI information in TI data books or data sheets is permissible only if reproduction is without alteration and is accompanied by all associated warranties, conditions, limitations, and notices. Reproduction of this information with alteration is an unfair and deceptive business practice. TI is not responsible or liable for such altered documentation. Information of third parties may be subject to additional restrictions.

Resale of TI products or services with statements different from or beyond the parameters stated by TI for that product or service voids all express and any implied warranties for the associated TI product or service and is an unfair and deceptive business practice. TI is not responsible or liable for any such statements.

TI products are not authorized for use in safety-critical applications (such as life support) where a failure of the TI product would reasonably be expected to cause severe personal injury or death, unless officers of the parties have executed an agreement specifically governing such use. Buyers represent that they have all necessary expertise in the safety and regulatory ramifications of their applications, and acknowledge and agree that they are solely responsible for all legal, regulatory and safety-related requirements concerning their products and any use of TI products in such safety-critical applications, notwithstanding any applications-related information or support that may be provided by TI. Further, Buyers must fully indemnify TI and its representatives against any damages arising out of the use of TI products in such safety-critical applications.

TI products are neither designed nor intended for use in military/aerospace applications or environments unless the TI products are specifically designated by TI as military-grade or "enhanced plastic." Only products designated by TI as military-grade meet military specifications. Buyers acknowledge and agree that any such use of TI products which TI has not designated as military-grade is solely at the Buyer's risk, and that they are solely responsible for compliance with all legal and regulatory requirements in connection with such use.

TI products are neither designed nor intended for use in automotive applications or environments unless the specific TI products are designated by TI as compliant with ISO/TS 16949 requirements. Buyers acknowledge and agree that, if they use any non-designated products in automotive applications, TI will not be responsible for any failure to meet such requirements.

Following are URLs where you can obtain information on other Texas Instruments products and application solutions:

Products

Audio	www.ti.com/audio
Amplifiers	amplifier.ti.com
Data Converters	dataconverter.ti.com
DLP® Products	www.dlp.com
DSP	dsp.ti.com
Clocks and Timers	www.ti.com/clocks
Interface	interface.ti.com
Logic	logic.ti.com
Power Mgmt	power.ti.com
Microcontrollers	microcontroller.ti.com
RFID	www.ti-rfid.com
OMAP Mobile Processors	www.ti.com/omap
Wireless Connectivity	www.ti.com/wirelessconnectivity

Applications

Communications and Telecom	www.ti.com/communications
Computers and Peripherals	www.ti.com/computers
Consumer Electronics	www.ti.com/consumer-apps
Energy and Lighting	www.ti.com/energy
Industrial	www.ti.com/industrial
Medical	www.ti.com/medical
Security	www.ti.com/security
Space, Avionics and Defense	www.ti.com/space-avionics-defense
Transportation and Automotive	www.ti.com/automotive
Video and Imaging	www.ti.com/video

TI E2E Community Home Page

e2e.ti.com

Mailing Address: Texas Instruments, Post Office Box 655303, Dallas, Texas 75265
Copyright © 2011, Texas Instruments Incorporated