

LB-27

LB-27 Micropower Thermometer



Literature Number: SNOA691

Micropower Thermometer

National Semiconductor
Linear Brief 27
January 1974



Micropower Thermometer

The introduction of a monolithic temperature transducer for the -55°C to $+125^{\circ}\text{C}$ temperature range can considerably simplify the problems encountered in temperature measurement. The three most common sensors—thermistors, resistance sensors, and thermocouples—require a reasonable amount of circuitry for use. Thermistors are highly non-linear, resistance sensors and thermistors require a stable excitation voltage, and thermocouples have low output. Further, none of these sensors provide an output directly calibrated in a known temperature scale.

The new monolithic temperature transducer provides an output directly proportional to absolute temperature at $10\text{ mV}/^{\circ}\text{K}$. The chip includes a temperature stable voltage reference and op amp. These allow the output to be offset and scaled to provide any desired temperature scale factor and zero output temperature.

THERMOMETER DESIGN

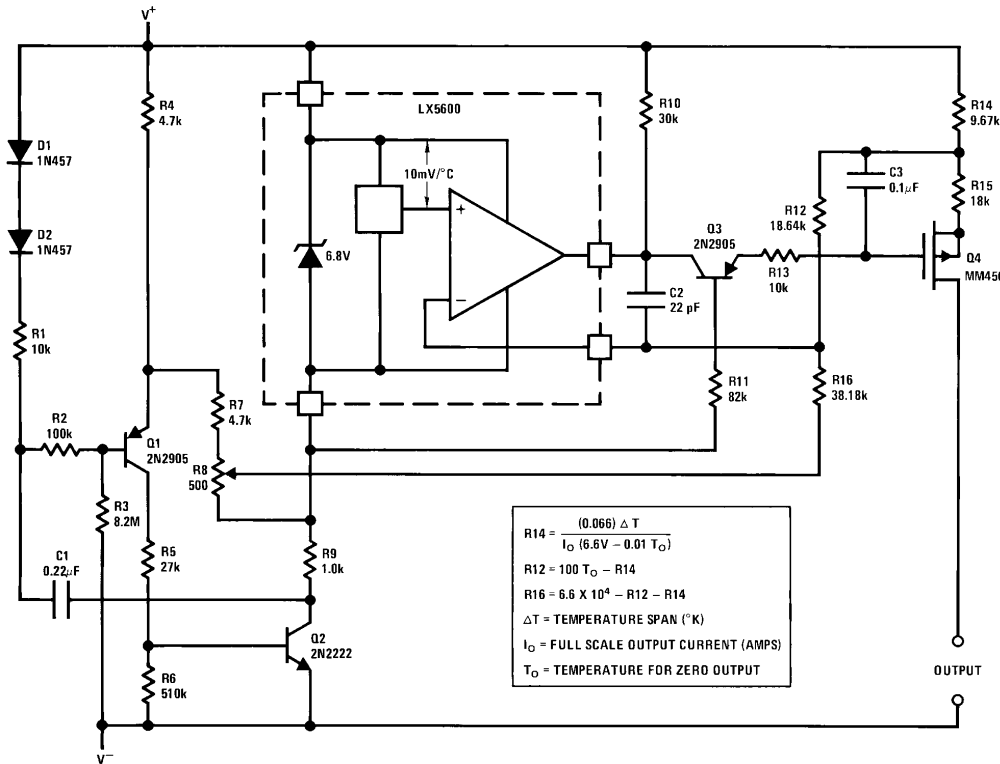
The circuit shown will provide a temperature sensitive output with both zero and scale factor independently select-

able. Since the temperature transducer requires about 1.0 mA for normal operation, the thermometer is pulsed at a low duty cycle to reduce power consumption. A continuous output is obtained between pulses by a sample and hold. Since temperature does not usually change rapidly, the pulsed operation of the thermometer does not detract from its usefulness.

With the components shown, duty cycle is about 0.2% with a one second sample rate. This gives an average current drain of about $25\text{ }\mu\text{A}$ plus the output current. It is designed to operate over a supply voltage of 8.0V to 12V with good results. A small 8.4V mercury battery can give an operational life in excess of one year.

The output of the thermometer is a current proportional to temperature which can be used to drive a meter for a direct readout. Alternatively, a resistor or op amp can be used to obtain a voltage output.

A complementary astable multivibrator, made of Q1 and Q2, drives the LX5600 through R9. The timing is set by several



Micropower Thermometer Circuit Diagram

TL/H/8476-1

LB-27

components. C1 and R3 control the off-time and C1, R1, R4 and R7 control the on-time. R9 sets the operating current of the transducer to 1.0 mA at the lowest supply voltage.

When the transducer is "on," sample transistor Q3 is also on. The output of the op amp drives the sample capacitor, C3, and MOSFET, Q4. Feedback is obtained from R12, R14 and R16 which set both the zero and scale factor of the thermometer. When the transducer is turned off, a continuous output is provided by C3 and Q4. Resistor R15 decreases the circuit's sensitivity to MOSFET gm, allowing almost any MOSFET to be used. About 2.0V should be dropped

across R15 at full scale output. R8 is used to trim the thermometer, correcting for zener tolerance, temperature error in the sensor and resistor tolerance. With the values shown, a 0 to 50 μ A output is obtained for a +50°F to +100°F temperature change. Other ranges can be selected by using the formulas shown in the box on the circuit diagram.

The low power consumption makes this thermometer especially attractive for battery operated equipment. Further, the current source output allows long lines to be driven with no loss of accuracy. Finally, the circuit is easy to set up for almost any desired temperature range.

LIFE SUPPORT POLICY

NATIONAL'S PRODUCTS ARE NOT AUTHORIZED FOR USE AS CRITICAL COMPONENTS IN LIFE SUPPORT DEVICES OR SYSTEMS WITHOUT THE EXPRESS WRITTEN APPROVAL OF THE PRESIDENT OF NATIONAL SEMICONDUCTOR CORPORATION. As used herein:

1. Life support devices or systems are devices or systems which, (a) are intended for surgical implant into the body, or (b) support or sustain life, and whose failure to perform, when properly used in accordance with instructions for use provided in the labeling, can be reasonably expected to result in a significant injury to the user.
2. A critical component is any component of a life support device or system whose failure to perform can be reasonably expected to cause the failure of the life support device or system, or to affect its safety or effectiveness.



National Semiconductor Corporation
 1111 West Bardin Road
 Arlington, TX 76017
 Tel: 1(800) 272-9959
 Fax: 1(800) 737-7018

National Semiconductor Europe
 Fax: (+49) 0-180-530 85 86
 Email: cnjwge@tevm2.nsc.com
 Deutsch Tel: (+49) 0-180-530 85 85
 English Tel: (+49) 0-180-532 78 32
 Français Tel: (+49) 0-180-532 93 58
 Italiano Tel: (+49) 0-180-534 16 80

National Semiconductor Hong Kong Ltd.
 19th Floor, Straight Block,
 Ocean Centre, 5 Canton Rd.
 Tsimshatsui, Kowloon
 Hong Kong
 Tel: (852) 2737-1600
 Fax: (852) 2736-9960

National Semiconductor Japan Ltd.
 Tel: 81-043-299-2309
 Fax: 81-043-299-2408

IMPORTANT NOTICE

Texas Instruments Incorporated and its subsidiaries (TI) reserve the right to make corrections, modifications, enhancements, improvements, and other changes to its products and services at any time and to discontinue any product or service without notice. Customers should obtain the latest relevant information before placing orders and should verify that such information is current and complete. All products are sold subject to TI's terms and conditions of sale supplied at the time of order acknowledgment.

TI warrants performance of its hardware products to the specifications applicable at the time of sale in accordance with TI's standard warranty. Testing and other quality control techniques are used to the extent TI deems necessary to support this warranty. Except where mandated by government requirements, testing of all parameters of each product is not necessarily performed.

TI assumes no liability for applications assistance or customer product design. Customers are responsible for their products and applications using TI components. To minimize the risks associated with customer products and applications, customers should provide adequate design and operating safeguards.

TI does not warrant or represent that any license, either express or implied, is granted under any TI patent right, copyright, mask work right, or other TI intellectual property right relating to any combination, machine, or process in which TI products or services are used. Information published by TI regarding third-party products or services does not constitute a license from TI to use such products or services or a warranty or endorsement thereof. Use of such information may require a license from a third party under the patents or other intellectual property of the third party, or a license from TI under the patents or other intellectual property of TI.

Reproduction of TI information in TI data books or data sheets is permissible only if reproduction is without alteration and is accompanied by all associated warranties, conditions, limitations, and notices. Reproduction of this information with alteration is an unfair and deceptive business practice. TI is not responsible or liable for such altered documentation. Information of third parties may be subject to additional restrictions.

Resale of TI products or services with statements different from or beyond the parameters stated by TI for that product or service voids all express and any implied warranties for the associated TI product or service and is an unfair and deceptive business practice. TI is not responsible or liable for any such statements.

TI products are not authorized for use in safety-critical applications (such as life support) where a failure of the TI product would reasonably be expected to cause severe personal injury or death, unless officers of the parties have executed an agreement specifically governing such use. Buyers represent that they have all necessary expertise in the safety and regulatory ramifications of their applications, and acknowledge and agree that they are solely responsible for all legal, regulatory and safety-related requirements concerning their products and any use of TI products in such safety-critical applications, notwithstanding any applications-related information or support that may be provided by TI. Further, Buyers must fully indemnify TI and its representatives against any damages arising out of the use of TI products in such safety-critical applications.

TI products are neither designed nor intended for use in military/aerospace applications or environments unless the TI products are specifically designated by TI as military-grade or "enhanced plastic." Only products designated by TI as military-grade meet military specifications. Buyers acknowledge and agree that any such use of TI products which TI has not designated as military-grade is solely at the Buyer's risk, and that they are solely responsible for compliance with all legal and regulatory requirements in connection with such use.

TI products are neither designed nor intended for use in automotive applications or environments unless the specific TI products are designated by TI as compliant with ISO/TS 16949 requirements. Buyers acknowledge and agree that, if they use any non-designated products in automotive applications, TI will not be responsible for any failure to meet such requirements.

Following are URLs where you can obtain information on other Texas Instruments products and application solutions:

Products

Audio	www.ti.com/audio
Amplifiers	amplifier.ti.com
Data Converters	dataconverter.ti.com
DLP® Products	www.dlp.com
DSP	dsp.ti.com
Clocks and Timers	www.ti.com/clocks
Interface	interface.ti.com
Logic	logic.ti.com
Power Mgmt	power.ti.com
Microcontrollers	microcontroller.ti.com
RFID	www.ti-rfid.com
OMAP Mobile Processors	www.ti.com/omap
Wireless Connectivity	www.ti.com/wirelessconnectivity

Applications

Communications and Telecom	www.ti.com/communications
Computers and Peripherals	www.ti.com/computers
Consumer Electronics	www.ti.com/consumer-apps
Energy and Lighting	www.ti.com/energy
Industrial	www.ti.com/industrial
Medical	www.ti.com/medical
Security	www.ti.com/security
Space, Avionics and Defense	www.ti.com/space-avionics-defense
Transportation and Automotive	www.ti.com/automotive
Video and Imaging	www.ti.com/video

TI E2E Community Home Page

e2e.ti.com

Mailing Address: Texas Instruments, Post Office Box 655303, Dallas, Texas 75265
Copyright © 2011, Texas Instruments Incorporated