

LB-42

LB-42 Get Fast Stable Response From Improved Unity-Gain Followers



Literature Number: SNOA696

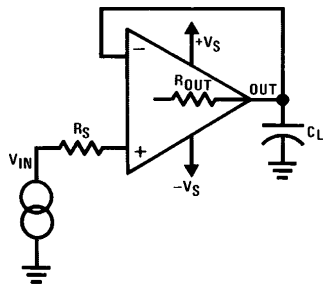
Get Fast Stable Response From Improved Unity-Gain Followers

National Semiconductor
Linear Brief 42
Robert A. Pease
August 1978



Get Fast Stable Response From Improved Unity-Gain Followers

In many applications, a unity-gain follower (e.g. any operational amplifier with tight feedback to the inverting input) may oscillate or exhibit bad ringing when required to drive heavy load capacitance. For example, the LM110 follower will normally drive a 50 pF load capacitor, but will not drive 500 pF, because the open-loop output impedance is lagged by such a large capacitive load. The frequency at which this lag occurs is comparable to the gain-bandwidth product of the amplifier, and when the phase margin is decreased to zero, oscillation occurs.



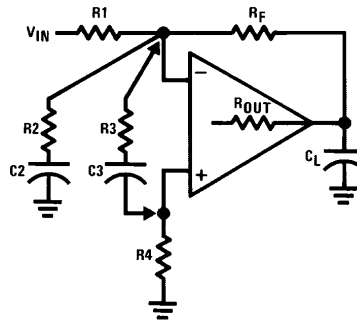
TL/H/8491-1

FIGURE 1. Unity-Gain Follower Attempting to Drive Capacitive Load

While the solution to this problem is not widely known, an analysis of the general problem shown in *Figure 2* can lead to a useful approach. It is generally known that increasing the noise gain of an op amp's feedback network will improve tolerance of capacitive load. In *Figure 2*, adding a resistor $R_2 \cong R_F/10$ will do this. (A moderate capacitor C_2 is usually inserted in series with R_2 , to prevent the DC noise gain from increasing also—to avoid degrading DC offset, drift and inaccuracy.) If the op amp has a 1 MHz gain bandwidth product, and $R_1 = R_F$, the closed-loop frequency response will be $1/2$ MHz. Adding $R_2 = R_F/10$ will drop the closed-loop frequency response to 90 kHz, where the amplifier can usually tolerate a much larger C_L ;

$$\text{Noise Gain} = \frac{R_F}{R_1} + \frac{R_F}{R_2} + 1 \text{ (AC)}$$

$$\text{Noise Gain} = \frac{R_F}{R_1} + 1 \text{ (DC)}$$



TL/H/8491-2

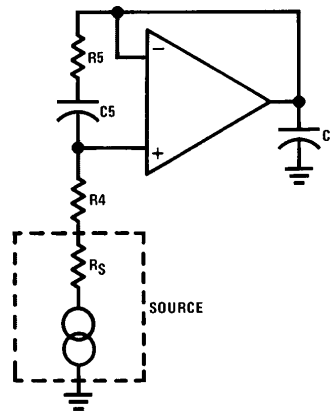
FIGURE 2. Stabilizing an Operational Amplifier for Capacitive Load

A similar result will occur if you install R_3 and C_3 , instead of R_2 . Now the (AC) noise gain will be:

$$1 + \frac{R_4}{R_3} + \frac{R_F}{R_3} + \left(\frac{R_F}{R_1} \right) \left(\frac{R_3 + R_4}{R_3} \right)$$

As a simplification, if R_1 is an open circuit, the AC noise gain will be: $(R_4/R_3 + R_F/R_3 + 1)$. Now it can be seen that noise gain can be raised by having a low value of R_3 and a high value of R_4 or R_F (or both).

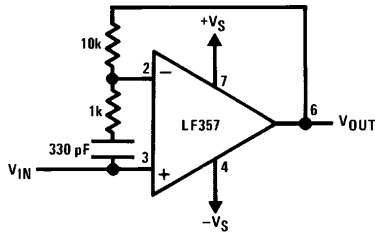
In particular, where R_F is required to be 0Ω , as in a follower, the noise gain can be raised by adding a large R_4 and a small R_5 , as shown in *Figure 3*. If R_S is low, the AC noise gain will be $R_4/R_5 + 1$. (If R_S is large and constant, R_4 may be unnecessary, and the noise gain would then be $R_S/R_5 + 1$.) For LM110/LM310's $R_4 = 10 \text{ k}\Omega$ is recommended and when $R_5 = 3.3 \text{ k}\Omega$, $C_5 = 200 \text{ pF}$, the LM110 will stably drive C_L up to 600 pF.



TL/H/8491-3

FIGURE 3. Stabilizing a Unity-Gain Follower for Capacitive Load

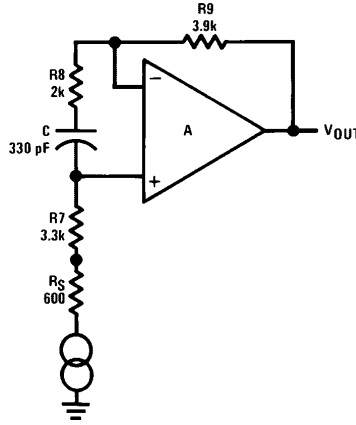
Another application of this technique is for making a fast follower with a high slew rate. An LF356 is specified as a follower, but an LF357 must be applied at an “ $A_v = 5$ ” minimum, because it has been “decompensated” with a smaller internal capacitor. Most people do not realize how easy it is to apply an LF357 as a follower. In Figure 4, an LF357 will have fast, stable response just like an LF356 does, when R_S is $< 1 \text{ k}\Omega$, but it will have a $50\text{V}/\mu\text{s}$ slew rate (typical) vs. $12\text{V}/\mu\text{s}$ for an LF356.



TL/H/8491-4

FIGURE 4. Unity-Gain Follower With Fast Slew Rate

Similarly, an LM348 is a fast decompensated quad op amp. Its bipolar input stage has a finite bias current, 200 nA max. For best results, the resistance which makes up the noise gain should be put equally in the **plus** and **minus** input circuits, as shown in Figure 5. The LM349 can slew at $2\text{V}/\mu\text{s}$ typical, and is much faster for handling audio signals without distortion than the LM348 (which at $0.5\text{V}/\mu\text{s}$ is only as fast as an ordinary LM741). The same approach can be used for an LM101 with a 5 pF damping capacitor. While these circuits give faster slewing, the bandwidth may degrade if the source impedance R_S increases. Also, when the AC noise gain is raised, the AC noise will also be increased. While most modern op amps have low noise, a noise gain of 10 may make a significant increase in output noise, which the user should check to insure it is not objectionable.



TL/H/8491-5

FIGURE 5. Application of Fast Follower With Balanced Resistors, $R_9 = R_7 + R_S$, $A = 1/4$ LM349 (or LM101 with 5 pF Capacitor)

If the series capacitor is much larger than necessary, noise will be increased more than necessary. In general, choose the C_5 for Figure 3, (e.g.) per these guidelines: (where $f_v =$ unity-gain bandwidth of op amp)

$$C_5 \text{ Min} = \frac{4 \cdot \left(1 + \frac{R_4}{R_5}\right)}{2\pi R_5 \cdot f_v} = \frac{R_4 + R_5}{\frac{\pi}{2} \cdot f_v \cdot (R_5)^2}$$

For best results, choose the design center value of C_5 to be 2 or 3 times $C_5 \text{ min}$.

LIFE SUPPORT POLICY

NATIONAL'S PRODUCTS ARE NOT AUTHORIZED FOR USE AS CRITICAL COMPONENTS IN LIFE SUPPORT DEVICES OR SYSTEMS WITHOUT THE EXPRESS WRITTEN APPROVAL OF THE PRESIDENT OF NATIONAL SEMICONDUCTOR CORPORATION. As used herein:

1. Life support devices or systems are devices or systems which, (a) are intended for surgical implant into the body, or (b) support or sustain life, and whose failure to perform, when properly used in accordance with instructions for use provided in the labeling, can be reasonably expected to result in a significant injury to the user.
2. A critical component is any component of a life support device or system whose failure to perform can be reasonably expected to cause the failure of the life support device or system, or to affect its safety or effectiveness.



National Semiconductor Corporation
 1111 West Bardin Road
 Arlington, TX 76017
 Tel: (800) 272-9959
 Fax: (800) 737-7018

National Semiconductor Europe
 Fax: (+49) 0-180-530 85 86
 Email: onjwge@tevm2.nsc.com
 Deutsch Tel: (+49) 0-180-530 85 85
 English Tel: (+49) 0-180-532 78 32
 Français Tel: (+49) 0-180-532 93 58
 Italiano Tel: (+49) 0-180-534 16 80

National Semiconductor Hong Kong Ltd.
 19th Floor, Straight Block,
 Ocean Centre, 5 Canton Rd.
 Tsimshatsui, Kowloon
 Hong Kong
 Tel: (852) 2737-1600
 Fax: (852) 2736-9960

National Semiconductor Japan Ltd.
 Tel: 81-043-299-2309
 Fax: 81-043-299-2408

IMPORTANT NOTICE

Texas Instruments Incorporated and its subsidiaries (TI) reserve the right to make corrections, modifications, enhancements, improvements, and other changes to its products and services at any time and to discontinue any product or service without notice. Customers should obtain the latest relevant information before placing orders and should verify that such information is current and complete. All products are sold subject to TI's terms and conditions of sale supplied at the time of order acknowledgment.

TI warrants performance of its hardware products to the specifications applicable at the time of sale in accordance with TI's standard warranty. Testing and other quality control techniques are used to the extent TI deems necessary to support this warranty. Except where mandated by government requirements, testing of all parameters of each product is not necessarily performed.

TI assumes no liability for applications assistance or customer product design. Customers are responsible for their products and applications using TI components. To minimize the risks associated with customer products and applications, customers should provide adequate design and operating safeguards.

TI does not warrant or represent that any license, either express or implied, is granted under any TI patent right, copyright, mask work right, or other TI intellectual property right relating to any combination, machine, or process in which TI products or services are used. Information published by TI regarding third-party products or services does not constitute a license from TI to use such products or services or a warranty or endorsement thereof. Use of such information may require a license from a third party under the patents or other intellectual property of the third party, or a license from TI under the patents or other intellectual property of TI.

Reproduction of TI information in TI data books or data sheets is permissible only if reproduction is without alteration and is accompanied by all associated warranties, conditions, limitations, and notices. Reproduction of this information with alteration is an unfair and deceptive business practice. TI is not responsible or liable for such altered documentation. Information of third parties may be subject to additional restrictions.

Resale of TI products or services with statements different from or beyond the parameters stated by TI for that product or service voids all express and any implied warranties for the associated TI product or service and is an unfair and deceptive business practice. TI is not responsible or liable for any such statements.

TI products are not authorized for use in safety-critical applications (such as life support) where a failure of the TI product would reasonably be expected to cause severe personal injury or death, unless officers of the parties have executed an agreement specifically governing such use. Buyers represent that they have all necessary expertise in the safety and regulatory ramifications of their applications, and acknowledge and agree that they are solely responsible for all legal, regulatory and safety-related requirements concerning their products and any use of TI products in such safety-critical applications, notwithstanding any applications-related information or support that may be provided by TI. Further, Buyers must fully indemnify TI and its representatives against any damages arising out of the use of TI products in such safety-critical applications.

TI products are neither designed nor intended for use in military/aerospace applications or environments unless the TI products are specifically designated by TI as military-grade or "enhanced plastic." Only products designated by TI as military-grade meet military specifications. Buyers acknowledge and agree that any such use of TI products which TI has not designated as military-grade is solely at the Buyer's risk, and that they are solely responsible for compliance with all legal and regulatory requirements in connection with such use.

TI products are neither designed nor intended for use in automotive applications or environments unless the specific TI products are designated by TI as compliant with ISO/TS 16949 requirements. Buyers acknowledge and agree that, if they use any non-designated products in automotive applications, TI will not be responsible for any failure to meet such requirements.

Following are URLs where you can obtain information on other Texas Instruments products and application solutions:

Products

Audio	www.ti.com/audio
Amplifiers	amplifier.ti.com
Data Converters	dataconverter.ti.com
DLP® Products	www.dlp.com
DSP	dsp.ti.com
Clocks and Timers	www.ti.com/clocks
Interface	interface.ti.com
Logic	logic.ti.com
Power Mgmt	power.ti.com
Microcontrollers	microcontroller.ti.com
RFID	www.ti-rfid.com
OMAP Mobile Processors	www.ti.com/omap
Wireless Connectivity	www.ti.com/wirelessconnectivity

Applications

Communications and Telecom	www.ti.com/communications
Computers and Peripherals	www.ti.com/computers
Consumer Electronics	www.ti.com/consumer-apps
Energy and Lighting	www.ti.com/energy
Industrial	www.ti.com/industrial
Medical	www.ti.com/medical
Security	www.ti.com/security
Space, Avionics and Defense	www.ti.com/space-avionics-defense
Transportation and Automotive	www.ti.com/automotive
Video and Imaging	www.ti.com/video

TI E2E Community Home Page

e2e.ti.com

Mailing Address: Texas Instruments, Post Office Box 655303, Dallas, Texas 75265
Copyright © 2011, Texas Instruments Incorporated