

# Application Design Guidelines for LM339, LM393, TL331 Family Comparators Including the New B-versions

Paul Grohe

Including LM393B, LM2903B, LM139, LM239, LM193, LM293, LM2901, LM2903 and LM397

## ABSTRACT

The TL331, LM339, LM393, and the next generation B-versions (LM393B and LM2903B) are a popular and long-lived family of standard comparators due to their flexibility, availability, and cost-effectiveness. It is important to understand how these comparators are different than most other comparators before using them in your design. The information in this application guide will help promote first time design successes.

## Contents

1	Devices Covered in Application Note .....	2
2	Input Considerations .....	4
3	Output Stage Considerations .....	10
4	Power Supply Considerations .....	12
5	General Comparator Usage.....	12
6	Conclusion .....	14
7	Related Documentation.....	15

## List of Figures

1	Simplified Input Stage Schematic with All Current Source Connections .....	4
2	Headroom Taken Up by VBE's and VSAT of Input Stage .....	5
3	Visual Representation of Input Voltage Range With a 5 V Supply.....	6
4	Input Pin I/V Curve with 5 V Supply .....	7
5	Series Resistor And Diode Negative Voltage Protection .....	8
6	Commonly Used Two-Resistor Voltage Divider with Clamping Diode.....	9
7	Split Voltage Divider Negative Voltage Protection .....	9
8	Typical Output Low (Saturation) Voltage vs Output Sinking Current.....	10
9	Best Connections Practices for Single and Dual Supplies .....	13
10	Acceptable Connection Practices for Single and Dual Supplies .....	13
11	Less Than Acceptable Connection Practices for Single and Dual Supplies .....	14
12	Potentially Harmful Connection Practices for Single and Dual Supplies .....	14

## List of Tables

1	Base Part Number, Channel Count, and Temperature Range .....	2
2	Maximum Input Offset Error at 25°C for Each Base Part Number with $V_{IO}$ Grade Options .....	3

## Trademarks

All trademarks are the property of their respective owners.

## 1 Devices Covered in Application Note

This application note covers all comparators devices listed in [Table 1](#) including the next generation B-versions which have improved specifications. All of these comparators contain a unique input stage that was revolutionary when released in the early 1970's. Unlike other comparators of that time, it supported ground level input voltages useful for single supply designs.

### 1.1 Base Part Numbers

The base part numbering is unconventional, as the numbering was assigned in order of product development. The LMx39/LM2901 quad was released first, followed by the LMx93/LM2903 dual, then followed by the TL331 (TI) and LM397 (National) singles several years later. The -Q1 suffix denotes AEC-Q100 qualified devices. The "-N" in a part name denotes devices acquired from the National Semiconductor acquisition that matched an existing Texas Instruments (TI) base part number. There are no current orderable part number duplicates because National Semiconductor and TI used different package suffixes. Likewise, the next generation versions have the suffix B added which indicates improved specifications. We will refer to the devices listed below as the LM339 Family throughout this document.

**Table 1. Base Part Number, Channel Count, and Temperature Range**

Temperature Range	Single	Dual	Quad
-55°C to 125°C	<b>TL331-EP</b>	<b>LM193, LM193-MIL, LM193-N, LM193QML, LM193QML-SP, LM293-EP</b>	<b>LM139, LM139-MIL, LM139-N, LM139-SP, LM139A, LM139A-MIL, LM139AQML, LM139AQML-SP, LM239A-EP</b>
-40°C to 125°C	<b>TL331-Q1</b>	<b>LM2903B, LM2903, LM2903V</b>	<b>LM239A-EP, LM2901, LM2901AV, LM2901V</b>
-40°C to 105°C	<b>TL331</b>	LM2903B, LM2903, LM2903V	LM239A-EP, LM2901, LM2901AV, LM2901V
-40°C to 85°C	<b>LM397</b>	<b>LM393B, LM2903-N</b>	<b>LM2901-N, LM2901EP, LM3302</b>
-25°C to 85°C	TL331	<b>LM293, LM293-N, LM293A</b>	<b>LM239, LM239-N, LM239A</b>
0°C to 70°C	TL331	<b>LM393, LM393-N, LM393A</b>	<b>LM339, LM339-N, LM339A, LM339-MIL</b>
Automotive Q1 (-40°C to 125°C)	<b>TL331-Q1</b>	<b>LM2903B-Q1, LM2903-Q1</b>	<b>LM239A-Q1, LM2901-Q1, LM2901AV-Q1, LM2901V-Q1</b>
Automotive Q0 (-40°C to 150°C)	-	<b>LM2903-Q1 (E Version)</b>	-

Part numbers in **bold** have operating temperature regions that match the given temperature range exactly. Part numbers that are not in bold can operate within and beyond the given temperature range.

## 1.2 Input Voltage Offset Grades

There are also grade options for  $V_{IO}$  (also known as  $V_{OS}$ ) tolerance. An “A” in the part number suffix will have better  $V_{IO}$  specifications compared to the same part number without an A.

**Table 2. Maximum Input Offset Error at 25°C for Each Base Part Number with  $V_{IO}$  Grade Options**

Single		Dual		Quad	
Part Number	$V_{IO}$ Max 25°C	Part Number	$V_{IO}$ Max 25°C	Part Number	$V_{IO}$ Max 25°C
LM397	7 mV	LM193	5 mV	LM139	5 mV
TL331	5 mV	LM193-MIL	5 mV	LM139-MIL	5 mV
TL331-EP	5 mV	LM193-N	5 mV	LM139-N	2 mV, 5 mV
TL331-Q1	5 mV	LM193QML	5 mV	LM139-SP	2 mV
		LM193QML-SP	5 mV	LM139A	2 mV
		LM2903	7 mV	LM139A-MIL	2 mV
		LM2903-N	7 mV	LM139AQML	2 mV
		LM2903-Q1	2 mV, 7 mV	LM139AQML-SP	2 mV
		LM2903V	2 mV, 7 mV	LM239	9 mV
		LM293	5 mV	LM239-N	5 mV
		LM293-EP	5 mV	LM239A	3 mV
		LM293-N	5 mV	LM239A-EP	2.5 mV
		LM293A	2 mV	LM239A-Q1	2.5 mV
		LM393	5 mV	LM2901	7 mV
		LM393-N	5 mV	LM2901-N	7 mV
		LM393A	2 mV	LM2901-Q1	7 mV
		LM393B, LM2903B	2.5 mV	LM2901AV	2 mV
				LM2901AV-Q1	2 mV
				LM2901EP	7 mV
				LM2901V	7 mV
				LM2901V-Q1	7 mV
				LM3302	20 mV
				LM339	9 mV
				LM339-MIL	5 mV
				LM339-N	2 mV, 5 mV
				LM339A	3 mV

## 1.3 Maximum Supply Voltage

The default maximum recommended supply voltage is 30 V. The exceptions are LM393B and LM2903B which have maximum voltage up to 38 V and the LM2901 and LM2903 devices having a V in the suffix, which denotes maximum voltage up to 32 V.

## 1.4 High Reliability Options

There are many high reliability options for the single, dual, and quad comparators.

Single comparator product list: TL331-EP.

Dual comparator product list: LM193QML-SP, LM193QML, LM293A-EP, LM293-N, LM2904-EP, LM139AQML and LM139JAN.

Quad comparator product list: LM139-SP, LM139AQML-SP, LM139-MIL, LM139A-MIL, LM139AQML and LM139JAN.

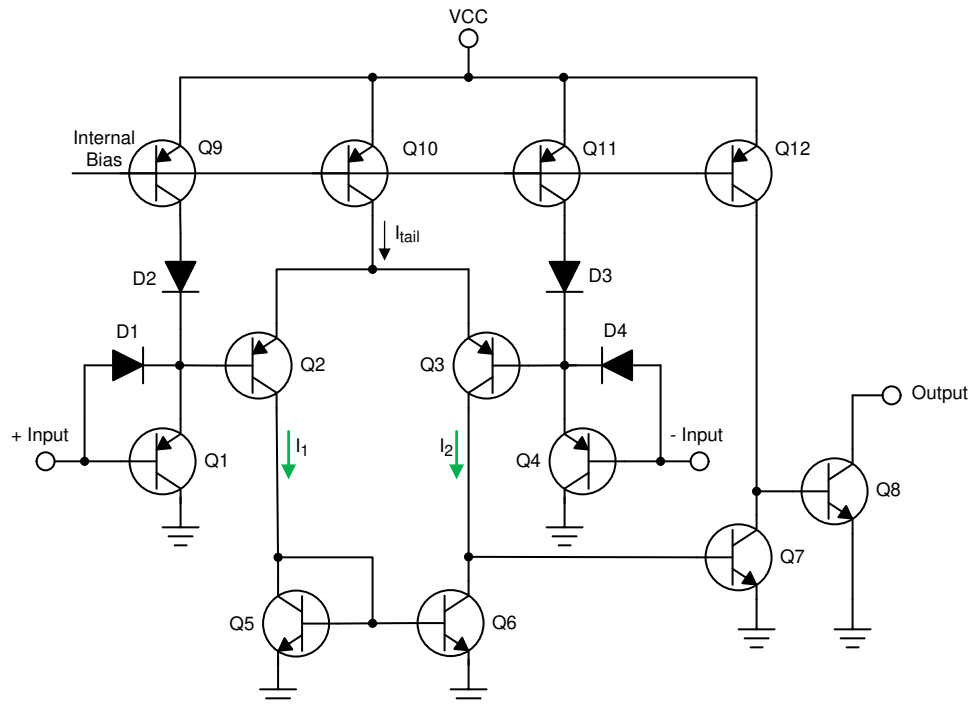
The qualifications and ratings of these devices are not covered in this application note. Please consult the individual device data sheets.

## 2 Input Considerations

### 2.1 Input Stage Schematic

The simplified LM339 Family comparator internal schematic is shown in Figure 1. Minus a few devices in the biasing circuitry, the schematic is a fairly true representation of the actual internal circuit.

The input stage consists of the PNP Darlington Input Pairs Q1+Q2, and Q3+Q4, the bias mirror Q10 to provide the operating tail currents, and the active load of Q5 and Q6. The output stage is comprised of Q7, Q12 and output transistor Q8. Diodes D1 through D4 protect the input devices when the inputs are taken above  $V_+$ .



**Figure 1. Simplified Input Stage Schematic with All Current Source Connections**

The schematic also contains additional current source lines (Q9, D2, Q11, and D3) not drawn in the simplified schematic found in the data sheets. All PNP emitters in the Darlington input stage have current source connections. These current sources ensure a consistent input bias current that does not vary with the differential input voltage. This consistent current provides a high effective input to input resistance. Without these secondary current sources, the input bias current would vary from zero to twice the normal bias current as the differential input voltage is varied.

### 2.2 Input Voltage Range

The data sheet specified input voltage range indicates the allowable minimum and maximum voltages to be applied to the inputs for normal specified operation. When operated outside the specified input range, parametric changes will occur, particularly offset voltage, bias current and propagation delay.

The specified LM339 Family input voltage range ( $V_{ICR}$ ) is 0 V (relative to the negative supply pin) to  $V_{CC} - 1.5$  V at room temperature. However, the actual upper input voltage range reduces by  $-4$  mV/°C at cold temperatures. Therefore the specified LM339 Family full temperature range common mode range is 0 V to  $V_{CC} - 2$  V to account for this reduction. The  $V_{CC} - 2$  V range is strongly recommended for use in all designs.

### 2.3 Input Voltage Range vs. Common Mode Voltage Range

The phrases Common Mode Voltage Range and Input Voltage Range tend to be used interchangeably, but there is an important difference when discussing comparators. The common definition of Common Mode Voltage (CMVR or CMR) is the average of the inverting (-IN) and non-inverting (+IN) input voltages. This definition acceptable for operational amplifiers where the inputs are kept to less than a millivolt of each other due to negative feedback, but comparator inputs are rarely kept at the same potential and can see several volts of differential voltage under normal operation. If the average value is used, there can be an instance where one input voltage slightly exceeds the input range specification, and the average of the two inputs can still reside within the input range, even though that one input is violating the input range. The average gives a false impression of meeting the input voltage range requirement.

**NOTE:** The input voltage limits must be considered **per input** and **NOT** the average of the two input voltages. If, for example, the calculated input voltage limit is 3.5 V, then neither input can exceed 3.5 V.

### 2.4 Reason for Input Range Headroom Limitation

The LM339 family was the first truly single-supply, ground sensing comparator, but it is not a Rail to Rail input device and can only sense up to about 1.5 V below  $V_{CC}$ . The input stage requires some headroom to the  $V+$  supply to provide the needed tail current and biasing to the input devices Q1 through Q4. Assuming a 5 V supply, Figure 2 shows the necessary voltage drops from the supply voltage down to the input terminal.

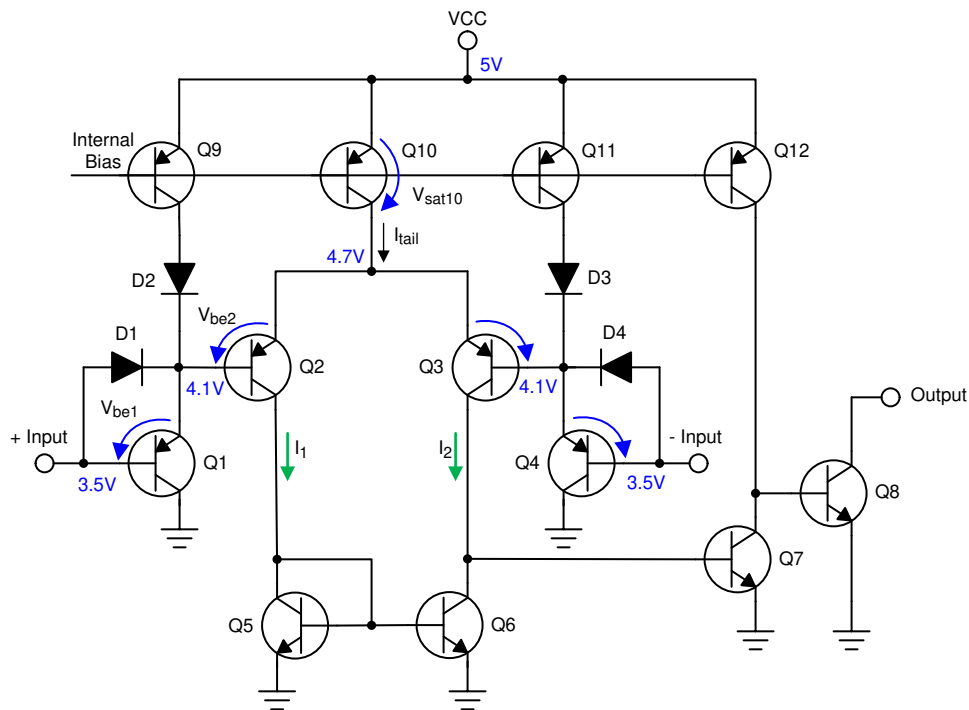
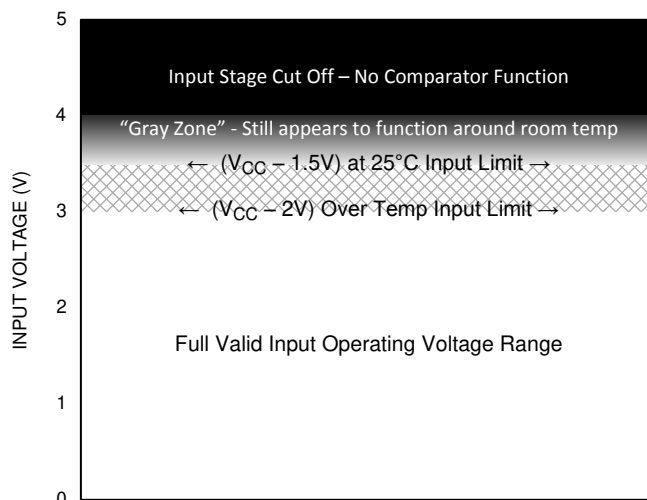


Figure 2. Headroom Taken Up by VBE's and VSAT of Input Stage

The DC biasing current flows down from  $V_{CC}$ , through the Q10 current source, through the input pair Q2 and Q1, and out of the input pin towards ground through the input source resistance.

The required headroom can be analyzed by Counting VBE's, starting at the  $V_{CC}$  rail and down to the input pin. Starting at  $V_{CC}$ , about 250-300mV is dropped across the current source Q10 collector-emitter junction ( $V_{SAT10}$ ). Another 600mV is dropped across each of the Base-Emitter junctions of Q2 ( $V_{BE2}$ ) and Q1 ( $V_{BE1}$ ). By adding all the drops together ( $V_{SAT10} + V_{BE1} + V_{BE2}$ ), it can be seen that there needs to be at least a 1.5 V headroom between the input pin and  $V_{CC}$  for the input stage to bias properly.

If an input is brought above the input limit, that input transistor starts to turn off, and the tail current for that device ( $I_1$  or  $I_2$ ) is also cut off.



**Figure 3. Visual Representation of Input Voltage Range With a 5 V Supply**

Figure 3 shows a visual representation of the input voltage range with a single +5 V supply.

Between 0 V and 3 V ( $V_{CC} - 2V$ ), the device is fully operational and will function per data sheet specifications over the full specified temperature range. The  $V_{CC} - 2V$  limit is the recommended upper input range limit to be utilized for all designs.

The input range from 0 to 3.5 V ( $V_{CC} - 1.5V$ ) is valid at 25°C and above. The range between 3 V and 3.5 V will vary over temperature due to the  $V_{BE}$ 's of the transistors changing at  $-2.1mV/°C$ . This results in the input voltage range changing at  $-4.2mV/°C$  over temperature (note the negative sign!), necessitating the  $V_{CC} - 2V$  over temperature specification. Using the  $V_{CC} - 1.5V$  limit is the main cause of It worked fine on the bench, but it fails at cold complaints. Do not make this mistake!

The range between 3.5 V and 4 V is the gray zone, where the device appears to still function at 25°C and above, but critical specifications are deteriorating, such as offset voltage, bias current and particularly propagation delay as the input stage is gradually cut off. These effects may not be immediately apparent. Operating at low temperatures will cause failures. Operation in this zone must be avoided.

Between 4 V and 5 V, and even up to 36 V, the input stage is cut off and input bias current is falls to zero. The actual cut-off threshold depends on temperature. Comparator operation ceases. DO NOT operate in this area!

## 2.5 Input Voltage Range Feature

A nice feature of the LM339 family (and ONLY applies to the LM339 family devices listed in Table 2) is that only one input needs to be within the valid input voltage range for a valid output. The other input can be above the input voltage range or, even above  $V_{CC}$  and the output will be in the expected state.

---

**NOTE:** The following feature was originally intended to reassure users of *expected* behavior during fault conditions or transient conditions. It is described here only because it has been mentioned in the data sheets over the years. **TI strongly advises to stay within the specified input voltage range limits and not to rely on the following feature as part of normal operating conditions. The device will not meet full data sheet specifications in this mode.**

---

This occurs because as long as *one* of the inputs is still within the valid input voltage range, that input pairs tail current ( $I_1$  or  $I_2$ ) is still flowing, signaling the correct output polarity to the active loads Q5 and Q6.

If both inputs exceed the upper input voltage range, both  $I_1$  and  $I_2$  are cut off, so Q7 remains off, which allows the base of Q8 to be pulled-up and saturate, pulling the output low.

Because the inputs have no internal clamp or ESD diodes to  $V_{CC}$ , the input voltage can exceed the  $V_{CC}$  voltage up to a maximum of 36V. If this occurs, the input will block current flow due to a reverse biased diode forming in the input PNP transistor. Current flow is blocked even if  $V_{CC}$  equals 0 V. If either input or both inputs exceed the maximum 36V  $V_{CC}$  rating, junction breakdown can occur. This may lead to permanent device damage per the table notes in the respective device's data sheet *Absolute Maximum Ratings* table.

If either input is lower than  $-0.3$  V with respect to the negative supply, excessive input current can flow in the substrate and the output may display phase reversal, also called inversion. See the [Section 2.6](#) section below for further information.

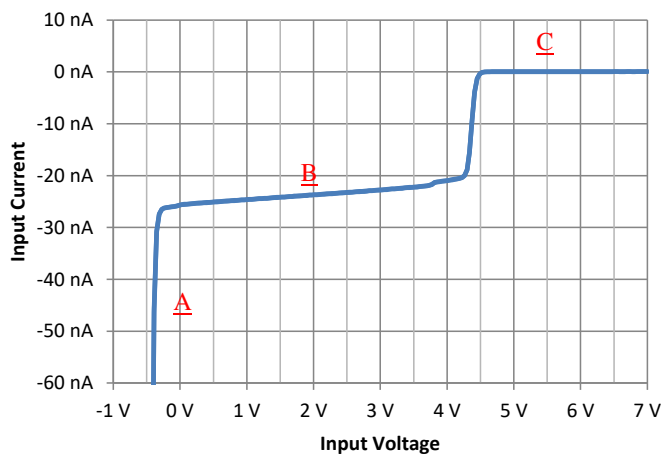
While this is a nice feature, it does come at a cost. When operating outside the specified input voltage limits, performance deteriorates and will no longer meet the data sheet specifications. Critical specifications such as offset voltage, bias current and propagation delay will be adversely affected. TI still recommends to stay within the data sheet input voltage range specifications.

## 2.6 Negative Input Voltages

The LM339 family does not like negative input voltage on any I/O pins, and this is mentioned several times in the data sheets. The LM339 family is built using a junction-isolated die process, wherein all the individual on-die devices are electrically separated from the substrate by a reversed PN junction. This can be thought of as a reversed diode under every circuit node to a common die substrate. These junctions are commonly referred to as the Body Diode or Substrate Diode. For this junction isolation to function properly, the substrate *must* be maintained at the most negative potential. The die substrate is electrically tied to the GND pin, and thus the GND pin must be at the most negative circuit potential for proper operation.

If any pin is brought more negative than the GND pin (substrate), these various substrate junctions will start to conduct. Reverse currents now flow in paths that were not designed for current flow and this can cause parasitic devices to appear, leading to malfunctions, or worse, latch-up if the input current is high enough.

Figure 4 shows the input current of the input pin with a +5 V supply, sweeping the input from  $-1$  V to  $+7$  V. Noticeable nanoamp currents will start to flow when the input is at  $-0.3$  V, and will increase to several tens of milliamps as the diodes start to conduct.



**Figure 4. Input Pin I/V Curve with 5 V Supply**

Section A shows the substrate diode knee starting to conduct at  $-400$  mV, with the subsequent increase in reverse current as the negative input voltage is increased.



Section B shows the normal operating Input Bias Current from 0 V up to 3.5 V. The gray zone can be seen as the current heads up towards zero after 4 V.

Section C shows the near zero (picoamp) bias currents as the input devices are reversed and cut off and no base current flows.

When the LM339 Family was originally designed in the early 70's, Electrostatic Discharge (ESD) damage was not as prevalent due to the high breakdown voltages of these older processes, so dedicated ESD protection structures were not included in the LM339 family. Without dedicated ESD structures, there is not a defined current path for reverse currents back to the GND pin.

## 2.7 Phase Reversal

Under certain conditions, the polarity of the output can become incorrect. This scenario, called phase reversal, occurs when the input of the comparator violates the negative common-mode voltage range. As explained above, exceeding the positive common mode range tends to result in predictable behavior. But a negative input voltage, relative to the GND pin, may come from unexpected sources, such as switching noise or ground bounce from DC to DC converters. Negative input voltages can also arise from AC cap coupled inputs that create a bipolar voltage at the input.

An input voltage of less than  $-0.3\text{ V}$  can cause parasitic diode conduction (Figure 4, point A) that results in incorrect output behavior. Operation in this region is not defined in the data sheet as it violates the  $-0.3\text{V}$  absolute maximum specification for input voltage. The input current turns on internal parasitic NPN transistors that steal current from other internal nodes causing output phase reversal.

Do not try to determine phase reversal performance empirically as different units may have different performance. Negative input voltages must be avoided, assuming a single supply configuration, unless the application can accept either the  $V_{OL}$  or  $V_{OH}$  level during the duration of the negative input.

## 2.8 Output to Input Cross-Talk

To prevent oscillations and false-triggering, the output and input traces need to be kept separated when the source impedance is greater than  $25\text{k}\Omega$ . The fast output edge rates ( $< 200\text{ns}$ ) can couple through the stray capacitance back into the high-impedance input, particularly at high output voltage swings ( $>10\text{ V}$ ). This is important for the dual LMx93 where the inverting input is next to the output pin. The input and output traces must be run at right angles to each-other and never in parallel.

## 2.9 Protecting Inputs from Negative Voltages

### 2.9.1 Simple Resistor and Diode Clamp

In cases where a negative input voltage cannot be avoided, such as ringing from inductive sources of bipolar outputs or from direct coupled sensors, a current limiting resistor in series with the input can limit the current to a safe level, as shown in Figure 5. The diode must be a Schottky type for lowest forward voltage.

The resistor must be calculated to limit the current to  $1\text{mA}$  or less at the highest expected voltage. A rule of thumb is  $1\text{k}\Omega$  per volt of expected over-voltage. So if the maximum expected negative voltage is  $-5\text{V}$ , the resistor must be at least  $5\text{k}\Omega$  or greater. This resistance can be part of the divider or other resistive input network. A similar resistance can be added to the other input for bias current cancellation. The size of the resistor is a compromise between minimum clamp current, bias current error and minimum added delay for AC signals.

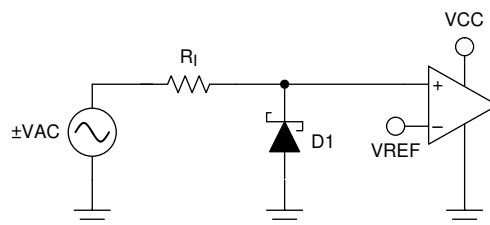


Figure 5. Series Resistor And Diode Negative Voltage Protection



If the resistor value is too high, interaction with the comparator input bias current and leakage currents of the diode can cause shifts in the threshold points. High resistor values can also cause delays in AC signals due to the time constant of the input and stray capacitance and the resistor.

If the resistor value is too low, the forward voltage of the diode will increase due to the higher clamp current, as well as load-down the source while clamping. Lower values are better for AC signals due to the lower delay.

The disadvantage of this simple clamp approach is that the forward voltage of the diode can exceed the -300mV input limit, even when using low forward voltage Schottky type diode.

If large negative input voltages are expected, such as zero crossing detectors or input signals with inductive ringing, which require clamping the negative portion of the input signal, then a low ratio voltage divider must then be used. See [Section 2.9.2.1](#).

## 2.9.2 Voltage Divider with Clamp

A very common circuit to measure a bipolar high voltage is a resistor divider with a clamping diode is shown in [Figure 6](#). The problem is that the diode does not start clamping the negative until -600mV, well past the -300mV negative input voltage limit.

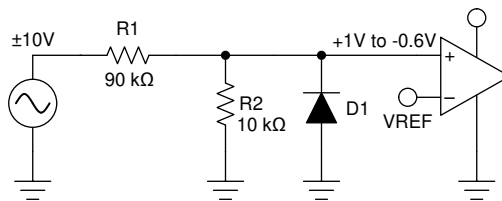


Figure 6. Commonly Used Two-Resistor Voltage Divider with Clamping Diode

### 2.9.2.1 Split Voltage Divider with Clamp

To improve upon the voltage divider described above, it is possible to split the upper voltage divider resistor and apply the clamp diode at a higher tap voltage, as shown in [Figure 7](#). The idea is that two bottom resistors (R1B and R2) further divide down the diode clamped voltage to bring the clamped voltage to a safe level at the input.

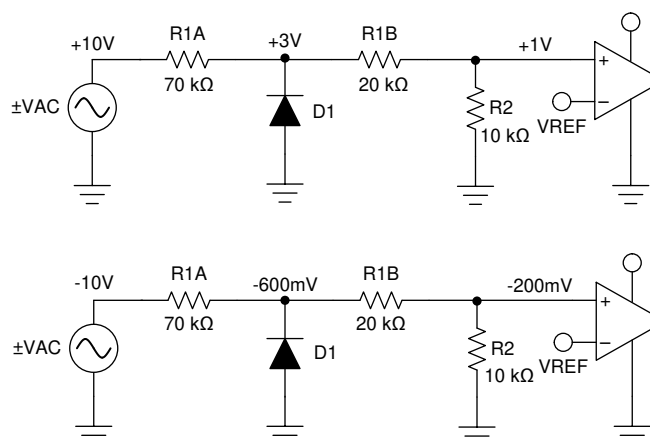


Figure 7. Split Voltage Divider Negative Voltage Protection

The upper common voltage divider resistor R1 is split into two resistors, R1A and R1B, providing a higher voltage tap sample point for the clamp diode. The clamp diode ensures that the tap voltage does not exceed -600mV as the input voltage moves further negative.

With a positive input voltage, the diode is reverse biased and does not conduct, effectively removing it from the circuit (except for some small leakage current). The voltage divider R1A + R1B combine create the upper R1 voltage divider resistor against R2.

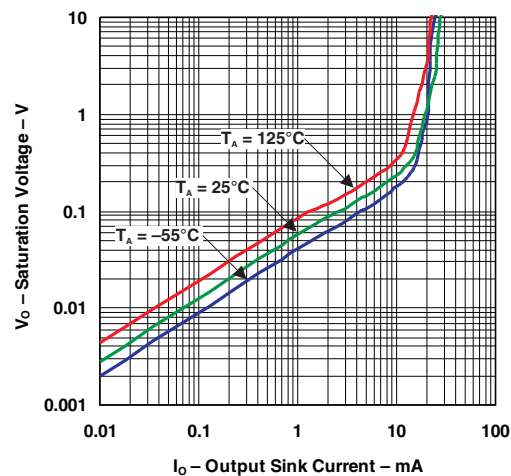
When the input voltage is negative, the diode clamps the node between R1A and R1B to -600mV. R1B and R2 then create a 3x voltage divider, which results in a safer -200mV on the input. Note that R1A will then have the full input voltage across it and needs to be sized appropriately.

The design procedure is fairly simple. The full divider is calculated as a normal two resistor voltage divider, deriving the needed R1 and R2 values. The desired secondary negative R1B divider is then calculated from the existing R2 and required portion of R1.

### 3 Output Stage Considerations

#### 3.1 Output $V_{OL}$ and $I_{OL}$

A critical graph for the output is the Output voltage vs Output Current graph, shown in Figure 8. From this graph, the output Low voltage can be determined from the expected sinking load current.



**Figure 8. Typical Output Low (Saturation) Voltage vs Output Sinking Current**

The graph also shows the current limit, where the output voltage sharply inflects upwards in the 10-20mA region. This region must be avoided as the specified minimum short circuit current is only 6mA (typically 12-16mA) and can vary across devices, lots and temperature. TI recommends sinking currents of less than 5mA.

This graph must also be used to determine the pull-up resistor value needed for a desired output low voltage.

For example, if a 3.3kΩ resistor is used on a 3.3 V pull-up voltage, the resulting current is 1mA when sinking. From the graph, 1mA will result in a worst-case (125°C)  $V_{OL}$  voltage of 90mV. However, if a 330 ohm pull-up resistor is used, the output low voltage is now 350mV, and is also uncomfortably close to the current limit.

#### 3.2 Pull-Up Resistor Selection

An open collector output requires a pull-up resistor for the output to go High. An often overlooked design item is the pull-up resistor value. If the pull-up resistor value is too low, the low pull-up current is too high, which results in the output low voltage ( $V_{OL}$ ) increasing, causing excessive output power dissipation and increased overall system supply currents. What is suitable for a 3.3 V pull-up voltage may not be suitable for a 24 V pull-up voltage!

If the pull-up resistor value is too high, this will result in a larger risetime. The risetime will vary with capacitive load as the risetime is dependant on the time constant of the pull-up resistor and the load capacitance. The result is an exponential risetime instead of a square edge and can effect the overall propagation delay. Falltime is not dependant on the pull-up resistor as the output transistor immediately shorts the output, quickly discharging the load capacitance through a low impedance.

If risetime is not critical, a higher resistor value can be used to further save system power.

TI recommends a pull-up resistor low current in the range of 100uA to 1mA for the best compromise of output swing and risetime. For example, With a 5 V pull-up voltage and 1mA current, the resistor value would be  $V_{\text{PULL-UP}} / 1\text{mA} = 5\text{k}\Omega$ . A 4.7k or 5.1k resistor would suffice, as the exact value is not critical. The proper pull-up resistor can be derived from the output saturation curve shown in [Figure 8](#) above. With multiple channel devices, be sure to include the power dissipation of each channel in the total package power dissipation calculation.

### 3.3 Short Circuit Sinking Current

The NPN output transistor has current limiting to protect against shorts to VCC. The current limiting protects the device from immediate damage. However, device overheating can occur during prolonged shorts especially when the VCC voltage is higher than 5 V. Note that power dissipation in the Comparator is  $(V_{\text{CC}} - V_{\text{OUT}}) \times I_{\text{OUT}}$ . The current limit magnitude decreases as die temperature increases.

The Comparator has no over-temperature shutdown circuitry. Therefore, excessive power dissipation can lead to very high die temperature. The data sheet absolute maximum ratings table warns that shorts to VCC, for even very short periods, can lead to excessive heat dissipation and eventual destruction. Note that the power dissipation for each channel must be included in the total device dissipation calculation.

### 3.4 Pulling Output Up Above VCC

The output may be pulled-up to 36 V, independent of the supply voltage (even  $V_{\text{CC}} = 0\text{V}$ !). Caution must be taken to ensure the output does not exceed the +36 V to -0.3 V limit. If the output is run off-board or past EMI producing devices, protection devices such as Zeners or TVS' must be used.

### 3.5 Negative Voltages Applied to Output

Similar to the inputs, any negative voltages applied to the output can cause similar effects as described in [Section 2.6](#) above. Watch for inductive kick-back when driving inductive loads such as relays, transformers or long cables.

### 3.6 Adding Large Filter Capacitors To Output

Commonly designers will add large capacitors (100pF to >10uF) directly from the output to ground in an attempt to filter the output to reduce noise on the output or reset timing circuits. TI discourages this practice as it can cause several problems.

A charged capacitor can source peak currents of several amps. When the output goes low, the output must then short the charged capacitor, which causes the output to go into current limit. Long-term, this can stress the output. If discharging a capacitor with the output is desired, as in a timing application, a series current limiting resistor must be used to keep the peak current below 10mA or less. Adding the series resistor, with the appropriate adjustment to the capacitor value, will provide a more controlled discharge as it will swamp out the slight device variations in the short circuit current. If a series resistor is unacceptable, then a suitable external discrete pass transistor or MOSFET must be used.

Adding a capacitor to the output can also cause the output to go linear, by partially charging the capacitor with random narrow pulses (PWM'ing) and causing the output to randomly float to points between the expected  $V_{\text{OL}}$  and  $V_{\text{OH}}$  levels.

Of course, adding the output capacitor increases the propagation delay by directly affecting the risetime and falltime.

Instead, TI recommends filtering the input signal and using hysteresis instead of brut-force filtering of the output with a capacitor. These techniques can maintain the proper propagation delay while minimizing chatter or false triggers on noisy signals. Please see [Application Note AN-74](#) for more information about adding hysteresis to filter noise.

## 4 Power Supply Considerations

### 4.1 Supply Bypassing

The supply must be free of noise and transients to avoid false transitions. The recommended supply bypass capacitor is a 0.1  $\mu\text{F}$  ceramic capacitor. The capacitor must be placed as close to the supply pins as possible to a solid ground. Because the output is open-collector, the supply pin only supplies current for the comparator quiescent current, so load transient currents are minimal. Further bypassing must be at the pull-up resistor if it is located remotely. The GND pin must be returned to a solid ground as it will contain fast output load transients.

#### 4.1.1 Low $V_{\text{CC}}$ Guidance

The minimum  $V_{\text{CC}}$  for some devices in this family is 2 V. For lower supply voltages, such as those in the range of 2 V to 3 V, pay careful attention to the input voltage range. Note that the input range is especially limited at the device's lowest operating temperature, particularly the  $-40^{\circ}\text{C}$  and  $-55^{\circ}\text{C}$  devices. At a 2 V supply, the input voltage range limit is at 0 V over temperature. For supply voltages below 3 V, TI recommends devices optimized for low voltage operation, such as the LMV3xx or TLV70x1 families of low voltage comparators.

#### 4.1.2 Split Supply use

The LM339 Family may be used with split ( $\pm V$ ) supplies, where the GND pin becomes  $V_{\text{EE}}$  or  $V^{-}$  (the most negative supply voltage), provided that the difference between the supplies ( $V_{\text{CC}} - V_{\text{EE}}$ ) does not exceed the specified maximum supply voltage (36 V). Do note that the output will now be swinging to the negative  $V_{\text{EE}}$  supply and not to common ground, so level shifting or external pass device may be necessary for ground referenced logic levels. Be mindful of the limited positive input voltage range at low split supply voltages. A +5 V/-5 V split supply will only have a -5 V to +2 V input range!

## 5 General Comparator Usage

### 5.1 Unused Comparator Connections

#### 5.1.1 Do Not Connect Inputs Directly to Ground

For both used and unused comparators, the inputs must not be connected directly to ground or any other low impedance node. Always add some resistance to limit the current to less than 10 mA, regardless of any possible fault condition. All the input pins have a diode from the input to the device's GND, or  $V^{-}$ , pin. In dual supply applications, the GND pin will be negative. However, during power up, power down, or supply faults, the GND pin may become positive. If this occurs then a grounded input pin will have potentially damaging current flow due to the input diode. Even if the GND pin is also grounded, such as in single supply applications, there is a possibility that the input ground will be negative relative to the op amp's internal ground node. Ground differences occur when there is poor layout or high current transients,  $\Delta I/\Delta t$ . Adding 1-k $\Omega$  to 10-k $\Omega$  series resistors to the input pin is acceptable in most applications.

### 5.1.2 Unused Comparator Input Connections

Occasionally applications will not need all the comparators in a dual or quad package. The unused channels must be connected in a way that is safe for the unused comparator and doesn't affect the used comparators. The best connection method puts the comparator into the normal operation range and no inputs are connected directly to low impedance nodes. The output of the comparator must be left open and not connected.

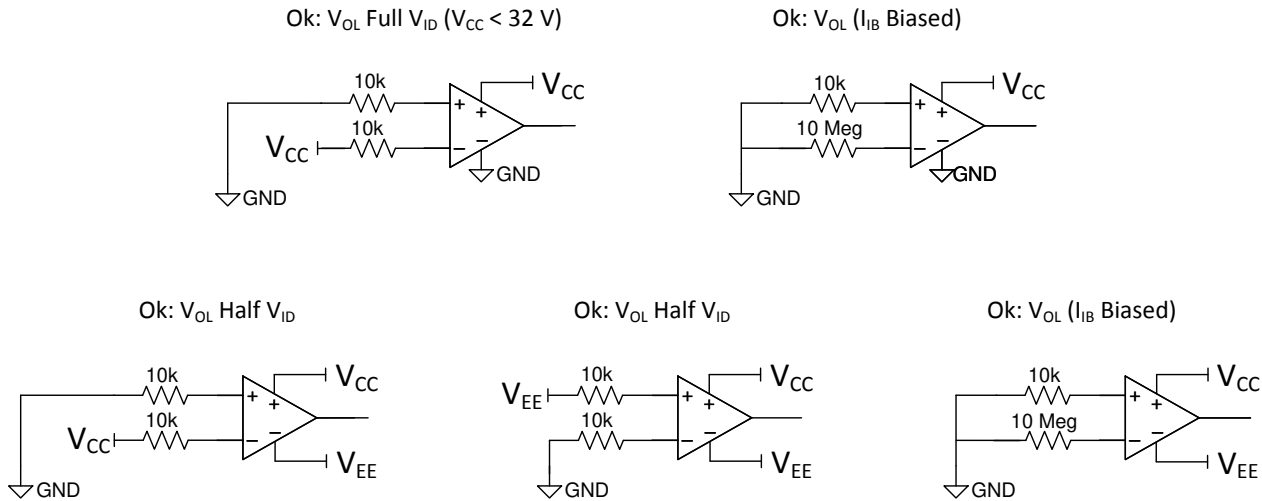


Figure 9. Best Connections Practices for Single and Dual Supplies

Increasing the input resistor to 10 MΩ would ensure linear operation as the input bias current ( $I_b$ ), which flows out of the input pin towards ground, would raise the non-inverting input voltage beyond the input offset voltage range.  $V_{OL}$  Full  $V_{ID}$  is better suited for lower voltage applications as there is no reason to apply a large input voltage difference even though the comparator allows it. The  $V_{OL}$  ( $I_{IB}$  Biased) method uses the input bias current to raise the voltage on the inverting input. If used, place the 10-MΩ resistor close to the inverting input pin to reduce noise pickup. No inputs may be connected directly to low impedance nodes such as ground,  $V_{CC}$  or  $V_{EE}$ .  $V_{OH}$  alternatives are also acceptable; just swap the input pins. The soft  $V_{OL}$  connection cannot be input swapped.

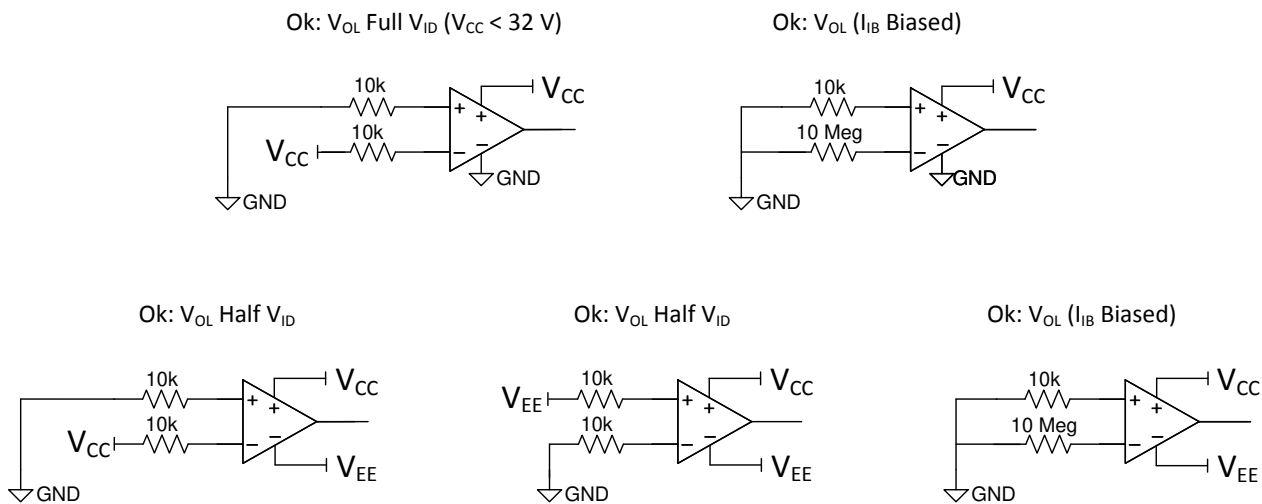
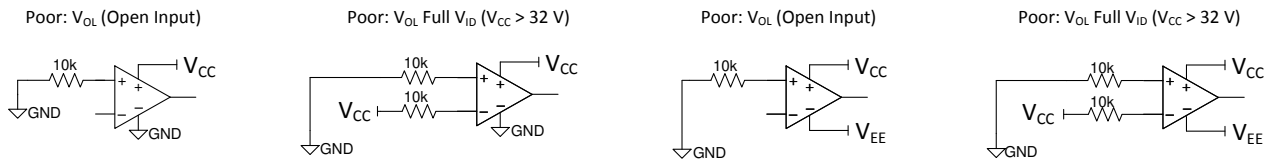


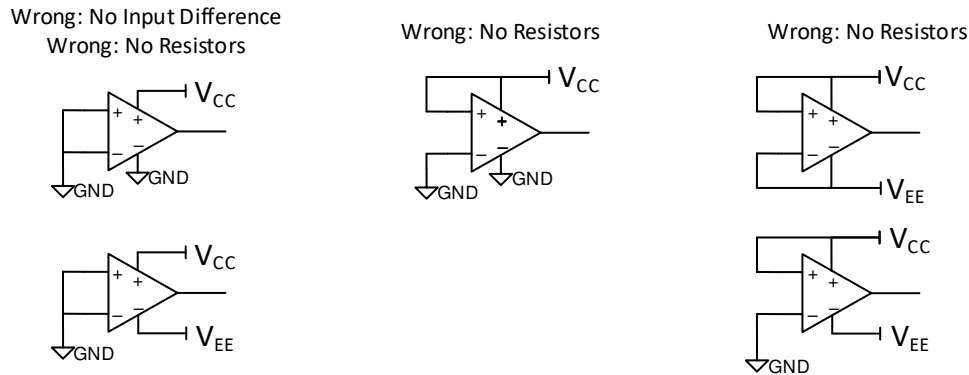
Figure 10. Acceptable Connection Practices for Single and Dual Supplies

The next set of connections in Figure 11 is not recommended, but these configurations are not considered harmful methods of terminating unused channels. The  $V_{OH}$  alternatives that swap the inputs are also not recommended methods of terminating unused channels.



**Figure 11. Less Than Acceptable Connection Practices for Single and Dual Supplies**

The last set of connections, shown in [Figure 12](#), demonstrates improper setups that could cause output noise chatter or device damage if the GND pin were to ever become positive relative to the input pin.



**Figure 12. Potentially Harmful Connection Practices for Single and Dual Supplies**

### 5.1.3 Leave Outputs Floating

TI recommends leaving the unused output pin floating. While it is possible to ground the output, as it cannot source current, there are leakage currents to  $V+$  that can occur at high temperatures and high voltages, just as previously discussed for the inputs. To avoid any issues with these currents or other transient conditions, it is just best to let the outputs float.

### 5.1.4 Prototyping

If the board is a breadboard or prototype, not hard-wiring the inputs and leaving the outputs floating allows the future use of the unused channels if they are needed for fixes or expansion. The resistors can be removed and wires soldered to the pads or pins for breadboarding. This is true of all the multi-channel comparators, amplifiers and logic gates.

## 6 Conclusion

The LM339, LM393 and their variants are among the most popular, cost effective and long-lived standard comparators. Using this app note to understand their pros, cons and how they differ from more modern comparators will increase the likelihood of a successful design. Although most analog designers will continue to use these devices, improvements in op amp design, process technology and our understanding of comparator applications over the past four decades have led to the development of better and easier to use comparators.

## 7 Related Documentation

### 7.1 Related Links

The table below lists quick access links. Categories include technical documents, support and community resources, tools and software, and quick access to sample or buy.

- [LMx39 \(TI version\) Core Data Sheet](#)
- [LMx39-N \(National version\) Core Data Sheet](#)
- [LMx93 Data Sheet \(TI Version\) Core Data Sheet](#)
- [LMx93-N \(National Version\) Core Data Sheet](#)
- [TL331 Core Data Sheet](#)
- [LM397 Data Sheet](#)
- [AN-74 – A Quad of Independently Functioning Comparators Application Note](#)
- [TI Precision Labs – Op Amps: Comparator Applications \(Comparators section\)](#)
- [Analog Engineers Circuit Cookbook: Amplifiers \(Comparators Applications section\)](#)



---

## Revision History

NOTE: Page numbers for previous revisions may differ from page numbers in the current version.

<b>Changes from Original (April 2019) to A Revision</b>	<b>Page</b>
• Added LM393B and LM2903B .....	<b>1</b>

---

## IMPORTANT NOTICE AND DISCLAIMER

TI PROVIDES TECHNICAL AND RELIABILITY DATA (INCLUDING DATASHEETS), DESIGN RESOURCES (INCLUDING REFERENCE DESIGNS), APPLICATION OR OTHER DESIGN ADVICE, WEB TOOLS, SAFETY INFORMATION, AND OTHER RESOURCES "AS IS" AND WITH ALL FAULTS, AND DISCLAIMS ALL WARRANTIES, EXPRESS AND IMPLIED, INCLUDING WITHOUT LIMITATION ANY IMPLIED WARRANTIES OF MERCHANTABILITY, FITNESS FOR A PARTICULAR PURPOSE OR NON-INFRINGEMENT OF THIRD PARTY INTELLECTUAL PROPERTY RIGHTS.

These resources are intended for skilled developers designing with TI products. You are solely responsible for (1) selecting the appropriate TI products for your application, (2) designing, validating and testing your application, and (3) ensuring your application meets applicable standards, and any other safety, security, or other requirements. These resources are subject to change without notice. TI grants you permission to use these resources only for development of an application that uses the TI products described in the resource. Other reproduction and display of these resources is prohibited. No license is granted to any other TI intellectual property right or to any third party intellectual property right. TI disclaims responsibility for, and you will fully indemnify TI and its representatives against, any claims, damages, costs, losses, and liabilities arising out of your use of these resources.

TI's products are provided subject to TI's Terms of Sale ([www.ti.com/legal/termsofsale.html](http://www.ti.com/legal/termsofsale.html)) or other applicable terms available either on [ti.com](http://ti.com) or provided in conjunction with such TI products. TI's provision of these resources does not expand or otherwise alter TI's applicable warranties or warranty disclaimers for TI products.

Mailing Address: Texas Instruments, Post Office Box 655303, Dallas, Texas 75265  
Copyright © 2020, Texas Instruments Incorporated